

## Excellent Integrated System Limited

Stocking Distributor

Click to view price, real time Inventory, Delivery & Lifecycle Information:

[LEMO](#)  
[EXG.0B.302.HLN](#)

For any questions, you can email us directly:  
[sales@integrated-circuit.com](mailto:sales@integrated-circuit.com)

## SUMMARY

### # Wires

Low	2
High	0
Coax	0
Triax	0
Quad	0
Fiber	0
Fluidic	0

Series	0B
Termination type	Female print PCB
IP rating	50
Cable Ø	0.00 - 0.00 mm
Matching parts	xxx



### Download

- [Request a quote](#)
- [PCB Eagle Pattern](#)
- [PCB Altium Pattern](#)
- [Catalog](#)

## TECHNICAL DETAILS

### Mechanics

Shell Style/Model	EX*: Elbow receptacle for printed circuit with two nuts (solder or screw fixing, back panel mounting)
Keying	1 key (alpha=0, plug: male contacts, receptacle: female contacts)
Housing Material	PPS (Polyphenylene) shell, other pieces nickel plated brass
Cable Fixing	∅0 - 0 mm
Variant	

### Performance

Configuration	0B.302/EXG : 2 Low Voltage
Insulator	L: PEEK (UL 94 / V-0/3.2, depends on material thickness)
Rated Current	6 Amps

### Specifications

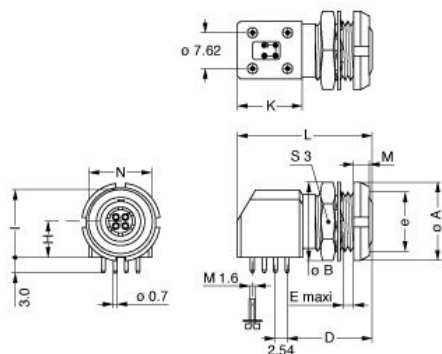
Contact Type:	Print (straight)
Max. Matings:	5000
Contact Dia.:	0.9 mm (0.035in)
R (max):	4.8 mOhm
Vtest (contact-contact):	1300 V (AC), 1840 V (DC)
Vtest (contact-shell):	1050 V (AC), 1490 V (DC)

### Others

Endurance (Shell): 5000  
 Temp (min / max): -55°C / +250°C  
 Humidity (max): <=95% [at 60 deg C /140 F]  
 Vibration: 15 g [10 Hz - 2000 Hz]  
 Shock Resistance: 100 g [ 6 ms]  
 Salt Spray Corrosion: >1000 hr  
 Climatical Category: 50/175/21  
 Shielding (min): 75 dB (10 MHz)  
 Shielding (min): 40 dB (1 GHz)  
 IP Rating: 50

## DRAWINGS

### Draws



### Dimensions

	A	B	D	E	H	I	K	L	M	N	e
mm.	12	12.5	14.6	6	6.9	12.6	13.2	25	2.5	10.5	M9x0.6
in.	0,47	0,49	0,57	0,24	0,27	0,50	0,52	0,98	0,10	0,41	

## RECOMMENDED BY LEMO

### Tools

None

### Cables