

Excellent Integrated System Limited

Stocking Distributor

Click to view price, real time Inventory, Delivery & Lifecycle Information:

[Molex Connector Corporation](#)
[1200660432](#)

For any questions, you can email us directly:

sales@integrated-circuit.com

5

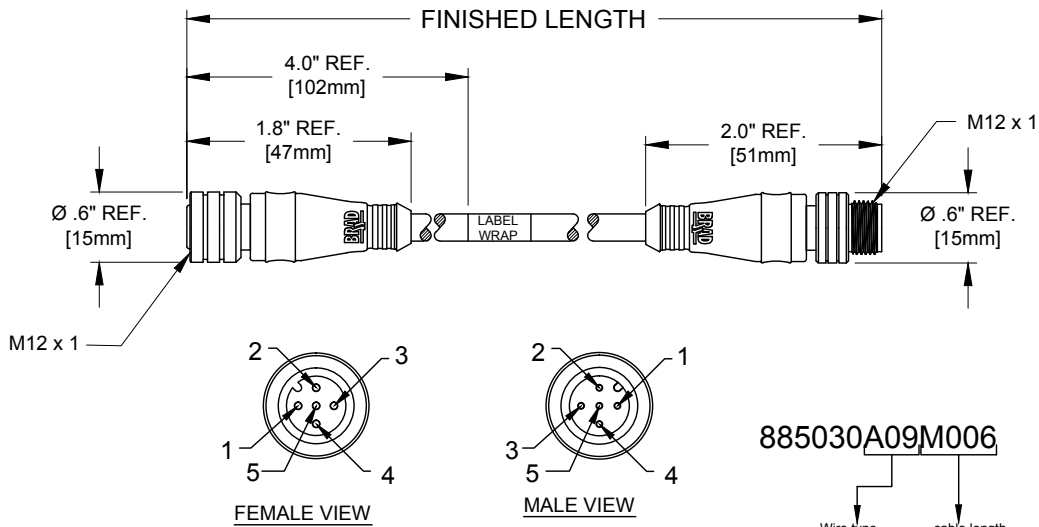
4

3

2

1

MATERIAL NUMBER	ENGINEERING NUMBER	FINISHED LENGTH
1200660426	885030A09M006	.6M +44.5 -0 [1.97' +1.75" -0]
1200660427	885030A09M010	1M +55.6 -0 [3.3' +2.2" -0]
1200660440	885030A09M100	10M +317.5 -0 [32.8' +12.5" -0]



885030A09M006

Wire type
22/5C AWG
YELLOW PVC

cable length
006---.6 Meters
010---1 Meter
100---10 Meter

1	BROWN	1
2	WHITE	2
3	BLUE	3
4	BLACK	4
5	GRAY	5

WIRING DIAGRAM

SPECIFICATION DATA

COMPONENT	MATERIAL	FINISH
LABEL	MYLAR	BLACK/YELLOW
O-RING	VITON	RED
COUPLER	BRASS	NICKEL PLATED
CONTACT	COPPER ALLOY	Au OVER Ni
INSERT	NYLON	BLACK
OVERMOLD	PUR	YELLOW
CABLE #22/5	PVC	YELLOW
VOLTAGE RATING:	250VAC/VDC	
AMPERAGE RATING:	4A	
PROTECTION CLASS:	IP 67	
OPERATING TEMPERATURE:	-20°C / 105°C	

UPDATED FOR PART NUMBER MATRIX

EC NO: IP62014-0888
DRWN: GGUSTAFS 2013/12/03
CHKD: TWOLDEGE
APPR: BWOODMAN

QUALITY SYMBOLS
▽=0
∇=0

	GENERAL TOLERANCES (UNLESS SPECIFIED)	
	mm	INCH
4 PLACES	±---	±---
3 PLACES	±---	±.005
2 PLACES	±.13	±.010
1 PLACE	±.25	±.020
ANGULAR ±.5°		
DRAFT WHERE APPLICABLE MUST REMAIN WITHIN DIMENSIONS		

DIMENSION STYLE	
IN/MM	DATE
---	GGUSTAFS 2013/12/03
---	BWOODMAN 2009/07/29
---	---

SCALE	DESIGN UNITS	THIRD ANGLE PROJECTION
NTS	INCH	
---	---	---
TITLE MICRO-CHANGE CORDSET 5P MA/FE SINGLE KEY #22/5C YELLOW PVC CABLE		
MATERIAL NO. SEE CHART		
DOCUMENT NO. SD-120066-007		
SHEET NO. 1 OF 1		

6

5

4

3

2

1