

Excellent Integrated System Limited

Stocking Distributor

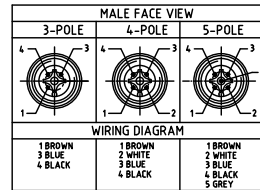
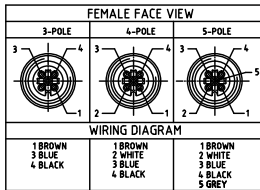
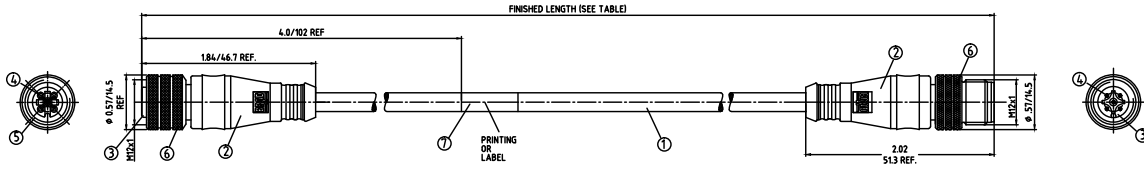
Click to view price, real time Inventory, Delivery & Lifecycle Information:

[Molex Connector Corporation](#)
[1200660700](#)

For any questions, you can email us directly:

sales@integrated-circuit.com

10 9 8 7 6 5 4 3 2 1



CONNECTOR SPECIFICATION:

VOLTAGE RATING	250 VAC/VDC
AMPERAGE RATING	max. 4 AMPS
PROTECTION	IP67
OPERATING TEMPERATURE	-20°C TO 105°C

ITEM	COMPONENT	MATERIAL	FINISH
7	LABLE	MYLAR	BLACK/YELLOW
6	COUPLER	BRASS	TEFLON
5	O-RING	VITON	RED
4	SOCKET/PIN CONTACT	COPPER ALLOY	GOLD OVER NICKEL
3	INSERT	NYLON	BLACK
2	OVERMOLD	TPE	YELLOW
1	CABLE- 22/3-5 (COPPER STRANDING) 3/4/5 CONDUCT. 300V	TPE JACKET	YELLOW

ADD PIN BRACKETS/MODS ECN NO: WIN0011_0420 2/15/11 DRAWN: TIVOLDES CHKD: JIMESTAN APPR: JIMESTAN 2010/01/26 REV: 3	QUALITY SYMBOLS 	GENERAL TOLERANCES (UNLESS SPECIFIED) <table border="1"> <tr> <th></th> <th>mm</th> <th>INCH</th> </tr> <tr> <td>4 PLACES</td> <td>±.01</td> <td>±.0004</td> </tr> <tr> <td>3 PLACES</td> <td>±.02</td> <td>±.0008</td> </tr> <tr> <td>2 PLACES</td> <td>±.03</td> <td>±.0012</td> </tr> <tr> <td>1 PLACE</td> <td>±0.3</td> <td>±.012</td> </tr> <tr> <td>ANGULAR</td> <td>±</td> <td>°</td> </tr> </table>		mm	INCH	4 PLACES	±.01	±.0004	3 PLACES	±.02	±.0008	2 PLACES	±.03	±.0012	1 PLACE	±0.3	±.012	ANGULAR	±	°	DIMENSION STYLE IN/MM DRAWN BY: LSTEMMLE DATE: 2010/01/25 CHECKED BY: RE DATE: 2010/01/26 APPROVED BY: NSTAUDIG DATE: 2010/01/29 MATERIAL NO.: SEE TABLE DOCUMENT NO.: SD-120066-011	SCALE: 1:1 DESIGN UNITS: METRIC THIRD ANGLE PROJECTION	MICRO-CHANGE CORDSET 3/4/5 P. FE STR/ MA STR 22/3-5 YELLOW TPE CABLE
		mm	INCH																				
	4 PLACES	±.01	±.0004																				
3 PLACES	±.02	±.0008																					
2 PLACES	±.03	±.0012																					
1 PLACE	±0.3	±.012																					
ANGULAR	±	°																					
DRAFT WHERE APPLICABLE MUST REMAIN WITHIN DIMENSIONS		MOLEX INCORPORATED	SHEET NO. 1 OF 2																				
THIS DRAWING CONTAINS INFORMATION THAT IS PROPRIETARY TO MOLEX INCORPORATED AND SHOULD NOT BE USED WITHOUT WRITTEN PERMISSION																							

10 9 8 7 6 5 4 3 2 1

10 9 8 7 6 5 4 3 2 1

POL	MATERIAL NUMBER	ENGINEERING NUMBER	FINISHED LENGTH
3	1200660676	883030K05M010	3.28' +2.19" -0 [1.0M +55.6 -0]
3	1200660680	883030K05M040	13.12' +6.50" -0 [4.0M +165.1 -0]

POL	MATERIAL NUMBER	ENGINEERING NUMBER	FINISHED LENGTH
4	1200660683	884030K05M003	.3M +19.1 -0 [.98' +.75" -0]
4	1200660684	884030K05M005	.5M +44.5 -0 [1.64' +1.75" -0]
4	1200660686	884030K05M006	.6M +44.5 -0 [1.97' +1.75" -0]
4	1200660687	884030K05M010	1.0M +55.6 -0 [3.27' +2.19" -0]
4	1200660688	884030K05M015	1.5M +55.6 -0 [4.91' +2.19" -0]
4	1200660689	884030K05M020	2.0M +88.9 -0 [6.56' +3.50" -0]
4	1200660690	884030K05M030	3.0M +88.9 -0 [9.84' +3.50" -0]
4	1200660691	884030K05M040	4.0M +165.1 -0 [13.12' +6.50" -0]
4	1200660692	884030K05M050	5.0M +165.1 -0 [16.40' +6.50" -0]
4	1200660693	884030K05M060	6.0M +165.1 -0 [19.69' +6.50" -0]
4	1200660694	884030K05M080	8.0M +317.5 -0 [26.25' +12.50" -0]
4	1200660695	884030K05M100	10.0M +317.5 -0 [32.81' +12.50" -0]
4	1200660696	884030K05M120	12.0M +317.5 -0 [39.37' +12.50" -0]
4	1200660697	884030K05M150	15.0M +622.3 -0 [49.21' +24.50" -0]
4	1200660698	884030K05M180	18.0M +622.3 -0 [59.06' +24.50" -0]
4	1200660921	884030K05M200	20.0M +622.3 -0 [65.62' +24.50" -0]
4	1200660699	884030K05M230	23.0M +622.3 -0 [75.21' +24.50" -0]
4	1200660700	884030K05M300	30.0M +622.3 -0 [98.43' +24.50" -0]
4	1200660701	884030K05M610	61.0M +622.3 -0 [199.47' +24.50" -0]

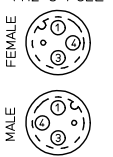
ADD PIN 884030K05M005 ECN NO: WIN02011_0420 2/15/11 DRAWN: TIVLOSZ CHKD: JIMSTAN APPR: JIMBREY 2010/01/26 REV: 3	QUALITY SYMBOLS	GENERAL TOLERANCES (UNLESS SPECIFIED)	DIMENSION STYLE	SCALE	DESIGN UNITS	THIRD ANGLE PROJECTION																		
	$\nabla = 0$ $\nabla = 0$	<table border="1"> <thead> <tr> <th></th> <th>mm</th> <th>INCH</th> </tr> </thead> <tbody> <tr> <td>4 PLACES</td> <td>±.01</td> <td>±.0004</td> </tr> <tr> <td>3 PLACES</td> <td>±.02</td> <td>±.0008</td> </tr> <tr> <td>2 PLACES</td> <td>±.03</td> <td>±.0012</td> </tr> <tr> <td>1 PLACE</td> <td>±.04</td> <td>±.0016</td> </tr> <tr> <td colspan="3">ANGULAR ± .5°</td> </tr> </tbody> </table>		mm	INCH	4 PLACES	±.01	±.0004	3 PLACES	±.02	±.0008	2 PLACES	±.03	±.0012	1 PLACE	±.04	±.0016	ANGULAR ± .5°			IN/MM DRAWN BY: LSTEMMLE DATE: 2010/01/25 CHECKED BY: RE DATE: 2010/01/26 APPROVED BY: NSTAUDIG DATE: 2010/01/29	1:1	METRIC	
		mm	INCH																					
	4 PLACES	±.01	±.0004																					
3 PLACES	±.02	±.0008																						
2 PLACES	±.03	±.0012																						
1 PLACE	±.04	±.0016																						
ANGULAR ± .5°																								
DRAFT WHERE APPLICABLE MUST REMAIN WITHIN DIMENSIONS			MATERIAL NO. SEE TABLE SIZE: A3 THIS DRAWING CONTAINS INFORMATION THAT IS PROPRIETARY TO MOLEX INCORPORATED AND SHOULD NOT BE USED WITHOUT WRITTEN PERMISSION	MICRO-CHANGE CORDSET 3/4/5 P. FE STR/ MA STR 22/3-5 YELLOW TPE CABLE																				
				DOCUMENT NO. SD-120066-011	SHEET NO. 2 OF 2																			

10 9 8 7 6 5 4 3 2 1

PART No MATRIX

OPTIONS

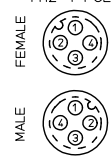
M12 3 POLE



VIEW FROM THE WIRES SIDE

Pin	Wire color
1	BROWN
2	WHITE
3	BLUE
4	BLACK

M12 4 POLE



VIEW FROM THE WIRES SIDE

Pin	Wire color
1	BROWN
2	WHITE
3	BLUE
4	BLACK

88 = M12x2	Header:
DOUBLE ENDED	030 = FEMALE STRAIGHT - MALE STRAIGHT
	020 = FEMALE STRAIGHT - MALE STRAIGHT WITH FEMALE NUT

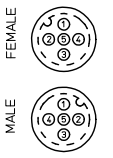
Poles:
 3 = 3 POLES
 4 = 4 POLES
 5 = 5 POLES

Cable:
 E02 = PVC, 0.25mm², BLACK
 E03 = PVC, 0.34mm², BLACK
 H09 = PUR, 0.34mm², BLACK
 H69 = PUR, 0.2mm², GRAY
 I03 = PVC, 0.34mm², GRAY
 I12 = PVC, 0.5mm², GRAY
 I20 = PVC, 0.34mm², GRAY
 I26 = PVC, 0.34mm², GRAY, SHLD
 K03 = TPE, YELLOW
 K05 = TPE, YELLOW
 P03 = PUR, 0.34mm², BLACK
 P04 = PUR, 0.5mm², BLACK
 P12 = PVC, YELLOW
 P20 = PUR, 0.34mm², BLACK
 P82 = PUR, 0.34mm², ORANGE

Unit:
 M = meter
 F = feet
 A = inches
 C = centimeters

Length:
 Example:
 010 = 1
 050 = 5
 100 = 10

M12 5 POLE



VIEW FROM THE WIRES SIDE

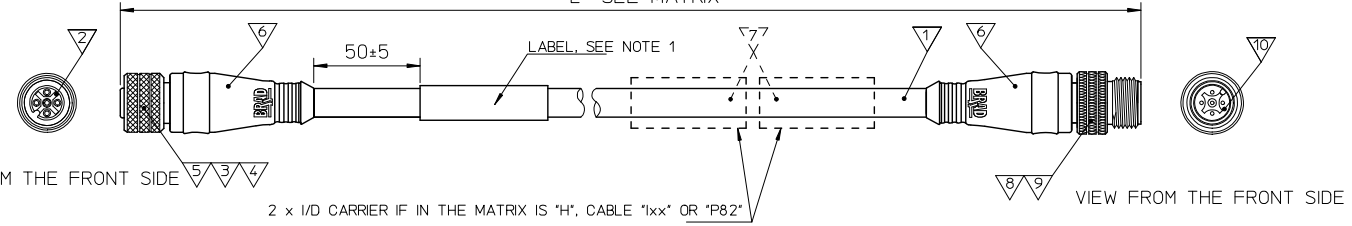
Pin	Wire color
1	BROWN
2	WHITE
3	BLUE
4	BLACK
5	GRAY or GREEN-YELLOW

Tablica tolerancji dlugosci
 Table of length tolerances

Powyzej / Over	Do-wlacznice / Up to and including	Tolerancja (+) / Tolerance
0	305	+19
305	915	+45
915	1830	+56
1830	3660	+89
3660	7320	+165
7320	14640	+317
14640	30500	+610
30500	>	+2% dlugosci / of length

H = 2pcs. of I/D Carrier
 Couplin Nut:
 Blank = KNU
 1. 8 = Stainless steel
 5 = DERLIN
 7 = TEFLON/KNU
 9 = KNU/HEX

Overmould:
 Blank = Black
 A = Gray
 G = Black
 Y = Yellow



Bill of Materials

ITEM	QTY.	DESCRIPTION	MATERIAL	FINISH
10	1	INSERT M12 MALE	SEE MATRIX	SEE MATRIX
9	-	CONTACT MALE	SEE MATRIX	SEE MATRIX
8	1	COUPLING NUT MALE M12	SEE MATRIX	SEE MATRIX
7	-	ID CARRIER	SEE MATRIX	SEE MATRIX
6	-	MOLDING MATERIAL	SEE MATRIX	SEE MATRIX
5	1	O-RING	FPM	RED
4	-	CONTACT FEMALE	SEE MATRIX	SEE MATRIX
3	1	COUPLING NUT FEMALE M12	SEE MATRIX	SEE MATRIX
2	1	INSERT M12 FEMALE	SEE MATRIX	SEE MATRIX
1	-	CABLE	SEE MATRIX	SEE MATRIX

NOTES:

1. LABEL ON THE CABLE
 FOR CABLES "ixx" OVERPRINT ON THE CABLE

ORIGINAL RELEASE EC NO: IPG2016-0305 DRAW: AKONDRAC UK 2015/08/28 CHK: CHGAIK 2015/08/28 APPR: MIWASIECZKO 2015/09/16 REV: A	QUALITY SYMBOLS	GENERAL TOLERANCES (UNLESS SPECIFIED) 4 PLACES ± --- ± --- 3 PLACES ± --- ± --- 2 PLACES ± --- ± --- 1 PLACE ± --- ± --- 0 PLACE ± --- ± --- ANGULAR ± 1 ° DRAFT WHERE APPLICABLE MUST REMAIN WITHIN DIMENSIONS	DIMENSION STYLE MM ONLY DRAWN BY DATE AKONDRAC UK 2015/08/28 CHECKED BY DATE CHGAIK 2015/08/28 APPROVED BY DATE MIWASIECZKO 2015/09/16 MATERIAL NO. SEE MATRIX	SCALE --- DESIGN UNITS METRIC THIRD ANGLE PROJECTION	TITLE M12 DOUBLE ENDED FE STR / MA STR molex DOCUMENT NO. SD-120066-061 SHEET NO. 1 OF 1	
	SIZE					THIS DRAWING CONTAINS INFORMATION THAT IS PROPRIETARY TO MOLEX INCORPORATED AND SHOULD NOT BE USED WITHOUT WRITTEN PERMISSION