

## Excellent Integrated System Limited

Stocking Distributor

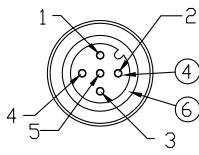
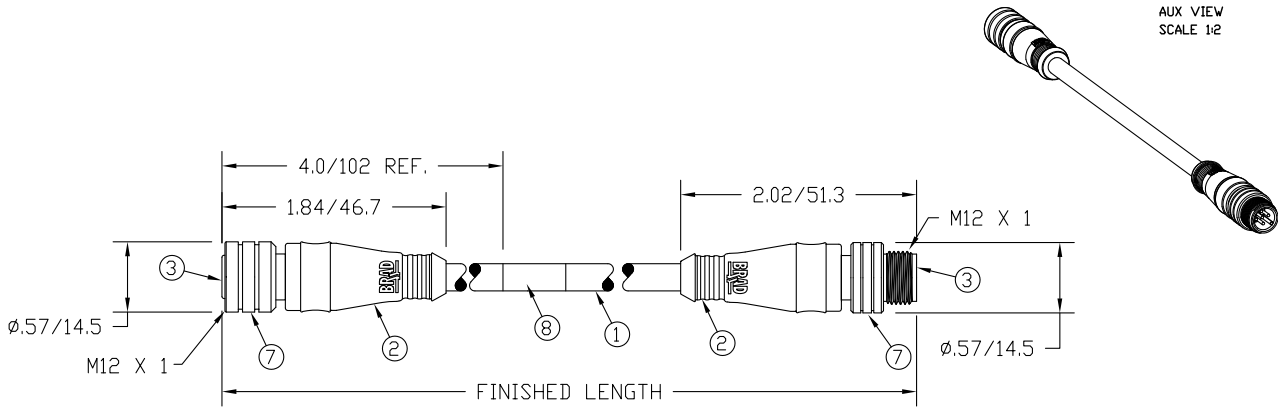
Click to view price, real time Inventory, Delivery & Lifecycle Information:

[Molex Connector Corporation](#)  
[1200660166](#)

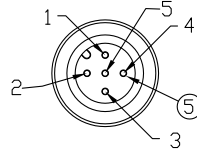
For any questions, you can email us directly:

[sales@integrated-circuit.com](mailto:sales@integrated-circuit.com)

| MATERIAL NUMBER | ENGINEERING NUMBER | FINISHED LENGTH                 |
|-----------------|--------------------|---------------------------------|
| 1200660166      | 883030A09M010      | 1.0M +55.6 -0 [3.28' +2.19' -0] |



FEMALE FACE VIEW



MALE FACE VIEW

|   |       |   |
|---|-------|---|
| 1 | BROWN | 1 |
| 3 | BLUE  | 3 |
| 4 | BLACK | 4 |

WIRING DIAGRAM

NOTES:

- 1) MATERIALS: SEE TABLE
- 2) FINISHES: SEE TABLE
- 3) CABLE: #22/5 TPE
- 4) ELECTRICAL DATA:  
MAX. VOLTAGE: 250 VAC/VDC  
MAX. CURRENT: 4 AMPS
- 5) ENVIRONMENTAL PROTECTION: IP67  
TEMPERATURE RANGE: -20°C TO 105°C
- 6) WRAP LABEL IS MARKED WITH P/N, DATE CODE, VOLTAGE & AMPERAGE.
- 7) ASSEMBLY IS RoHS COMPLIANT.

| ITEM | QTY. | DESCRIPTION    | MATERIAL     | FINISH           |
|------|------|----------------|--------------|------------------|
| 8    | 1    | LABEL          | MYLAR        | BLACK/YELLOW     |
| 7    | 2    | COUPLER        | BRASS        | NICKEL PLATED    |
| 6    | 1    | O-RING         | VITON        | RED              |
| 5    | 5    | PIN CONTACT    | COPPER ALLOY | GOLD OVER NICKEL |
| 4    | 5    | SOCKET CONTACT | COPPER ALLOY | GOLD OVER NICKEL |
| 3    | 2    | INSERT         | NYLON        | BLACK            |
| 2    | 2    | OVERMOLD       | PUR          | YELLOW           |
| 1    | 1    | #22/5 CABLE    | PVC JACKET   | YELLOW           |

|  |                  |                                |                                       |            |   |          |              |                        |  |  |
|--|------------------|--------------------------------|---------------------------------------|------------|---|----------|--------------|------------------------|--|--|
| RELEASED DRAWING<br>EC NO: WEL2010/0288<br>DRWIN: LSTEMMLE - 2010/01/25<br>CHKD: NS<br>APPR: NSTAUDIG - 2010/01/29 | DESCRIPTION<br>1 | QUALITY SYMBOLS<br>▽=0<br>∇C=0 | GENERAL TOLERANCES (UNLESS SPECIFIED) |            | DIMENSION STYLE   | SCALE    | DESIGN UNITS | THIRD ANGLE PROJECTION |  |  |
|  |                  |                                |                                       |            | IN/MM   | 2:1      | METRIC       |                        |  |  |
|  |                  |                                | 4 PLACES                              | ±---       | ±---  | DRAWN BY | DATE         | TITLE                  |  |  |
|  |                  |                                | 3 PLACES                              | ±---       | ±---  | LSTEMMLE | 2010/01/25   | MICRO-CHANGE CORDSET   |  |  |
| 2 PLACES   | ±---             | ±.01                           | CHECKED BY                            | DATE       | 3P FE-STR MA- STR   |          |              |                        |  |  |
| 1 PLACE  | ±0.3             | ±---                           | RE                                    | 2010/01/25 | 22/5 YELLOW PVC CABLE   |          |              |                        |  |  |
| ANGULAR ±---   |                  |                                | APPROVED BY                           | DATE       | MOLEX INCORPORATED  |          |              |                        |  |  |
| DRAFT WHERE APPLICABLE MUST REMAIN WITHIN DIMENSIONS   |                  |                                | NSTAUDIG                              | 2010/01/29 | SD-120066-010   |          |              |                        |  |  |
|  |                  |                                | MATERIAL NO.                          | SEE TABLE  | SHEET NO. 1 OF 1  |          |              |                        |  |  |
|  |                  |                                | SIZE                                  | A          | THIS DRAWING CONTAINS INFORMATION THAT IS PROPRIETARY TO MOLEX INCORPORATED AND SHOULD NOT BE USED WITHOUT WRITTEN PERMISSION |          |              |                        |  |  |

6

5

4

3

2

1