

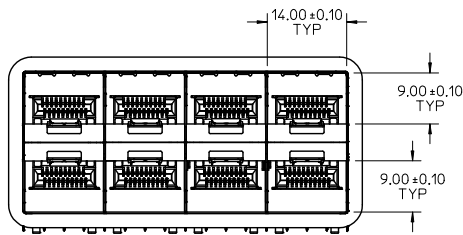
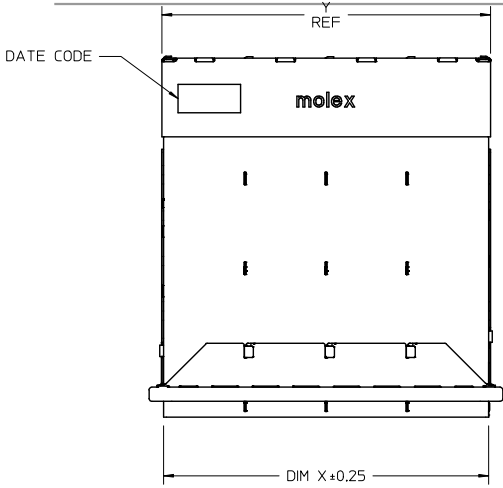
## Excellent Integrated System Limited

Stocking Distributor

Click to view price, real time Inventory, Delivery & Lifecycle Information:

[Molex Connector Corporation](#)  
[1700714001](#)

For any questions, you can email us directly:  
[sales@integrated-circuit.com](mailto:sales@integrated-circuit.com)



NOTES:

1. MATERIAL:

CAGE: NICKEL SILVER  
 CONNECTOR HOUSING: GLASS FILLED THERMOPLASTIC, UL: 94V-0, COLOR: BLACK  
 TERMINALS: HIGH PERFORMANCE COPPER ALLOY  
 FRONT SHIELD WALL: COPPER ALLOY  
 ELASTOMERIC GASKET: SILVER IMPREGNATED SILICONE

2. FINISH

TERMINALS: CONTACT AREA: 0.76 μm MIN. HARD GOLD OVER  
 3.8 μm MIN. NICKEL.  
 COMPLIANT TAIL: 0.7-1.5 μm MATTE TIN OVER  
 0.7-1.5 μm NICKEL

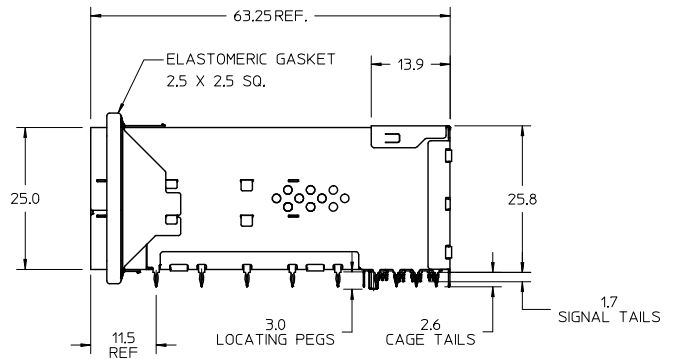
FRONT SHIELD WALL: 0.7-1.5 μm NICKEL OVERALL

3. 2X4 CONFIGURATION SHOWN FOR REFERENCE, SEE CHART FOR AVAILABLE OPTIONS  
 4. REFER TO PS-170071-0001 FOR ALL ELECTRICAL, MECHANICAL AND ENVIRONMENTAL SPECIFICATIONS.

5. REFER TO AS-170071-0001 FOR CONNECTOR MOUNTING AND REWORK INFORMATION.

6. REFER TO AS-170071-0002 FOR PCB ROUTING RECOMMENDATIONS.

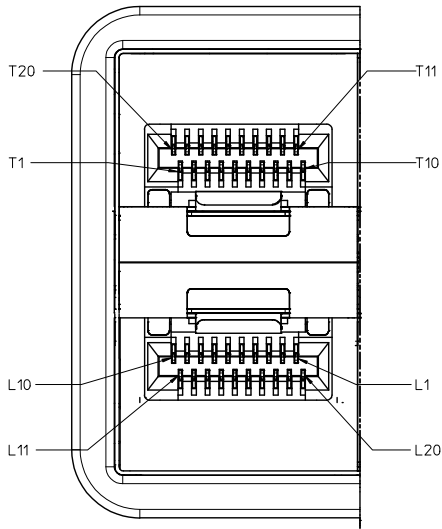
7. ALL VISIBLE EXTERIOR SURFACES TO BE CLASS 'B' (BOTTOM OF CONNECTOR IS CLASS 'C') CAGE SURFACES TO CONFORM TO THE MOLEX COSMETIC DOC PS-45499-002.



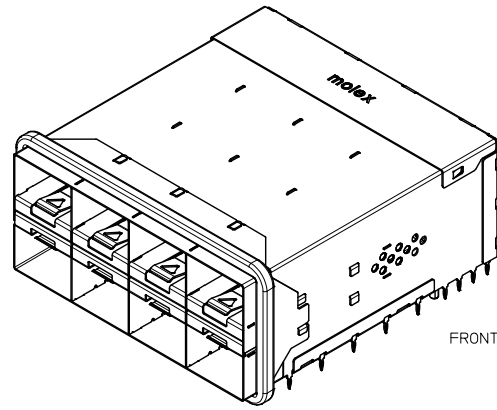
170071-4001 SHOWN FOR REFERENCE  
 APPEARANCE MAY VARY WITH SIZE

PORT SIZE	PART NUMBER	DIM X	DIM Y
2X1	1700711001	14.50	15.10
2X2	1700712001	28.75	29.35
2X4	1700714001	57.25	57.85
2X6	1700716001	85.75	86.35
2X8	1700718001	114.25	114.85
2X12	1700711201	171.25	171.85

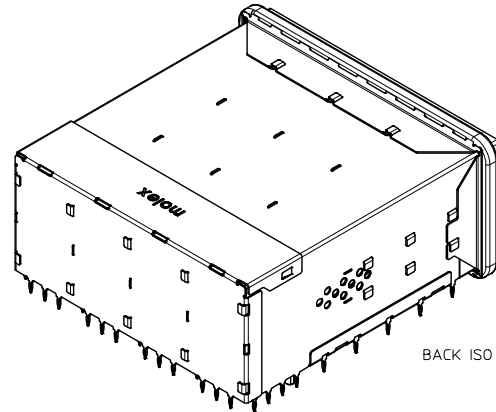
ADD SIDE VIEW NOTE EC NO: UCP2015-5220 DRWN: JKACHLIC 2015/06/10 CHKD: APPR: MBANAKIS 2015/06/17	QUALITY SYMBOLS ∇=0 ∇=0 ∇=0	GENERAL TOLERANCES (UNLESS SPECIFIED)		DIMENSION STYLE MM ONLY		SCALE 2:1	DESIGN UNITS METRIC	THIRD ANGLE PROJECTION		
		4 PLACES ± --- ± --- 3 PLACES ± --- ± --- 2 PLACES ± --- ± --- 1 PLACE ± 0.25 ± --- 0 PLACE ± ±	mm INCH --- --- --- --- --- --- --- --- --- ---	DRAWN BY JGONZALEZ01	DATE 2010/05/27	TITLE ZSFP+ STACKED FULL ASSY WITH ELASTOMERIC GASKET				
		ANGULAR ±1/2° DRAFT WHERE APPLICABLE MUST REMAIN WITHIN DIMENSIONS		CHECKED BY JKACHLIC	DATE 2010/06/03	APPROVED BY MBANAKIS		DATE 2010/10/24	MATERIAL NO. SEE CHART	DOCUMENT NO. SD-170071-0001
		THIS DRAWING CONTAINS INFORMATION THAT IS PROPRIETARY TO MOLEX INCORPORATED AND SHOULD NOT BE USED WITHOUT WRITTEN PERMISSION		SHEET NO. 1 OF 4		molex		INCORPORATED AND SHOULD NOT BE USED WITHOUT WRITTEN PERMISSION		



Partial1  
SCALE 6:1

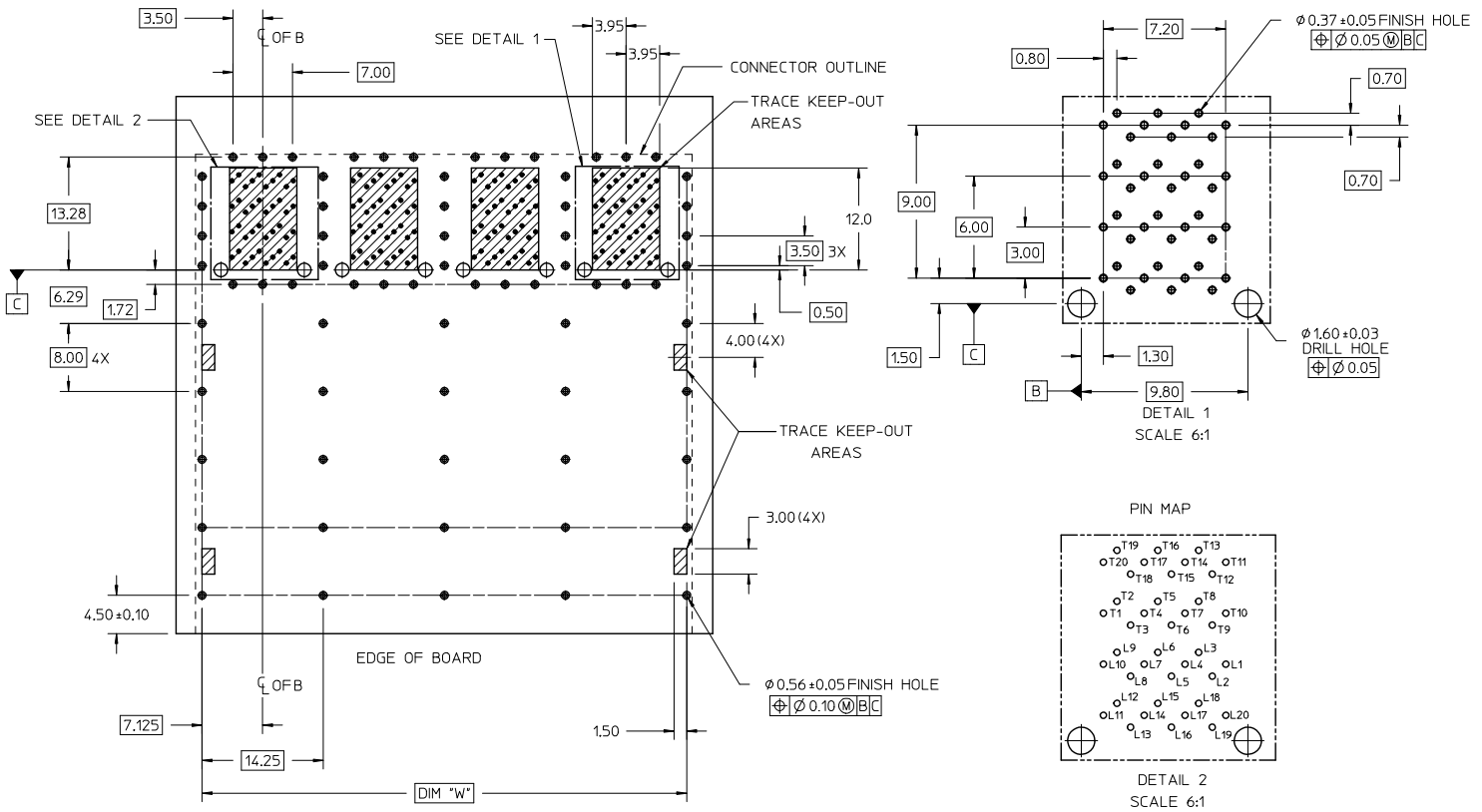


FRONT ISO VIEW



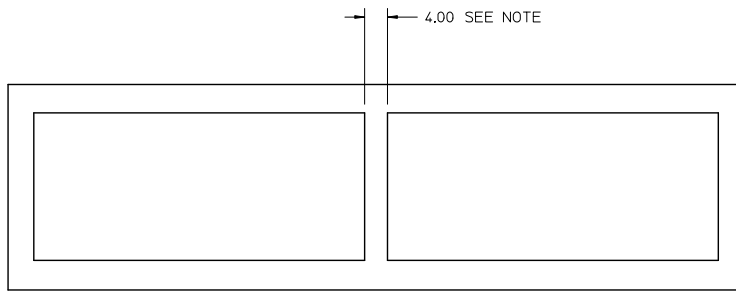
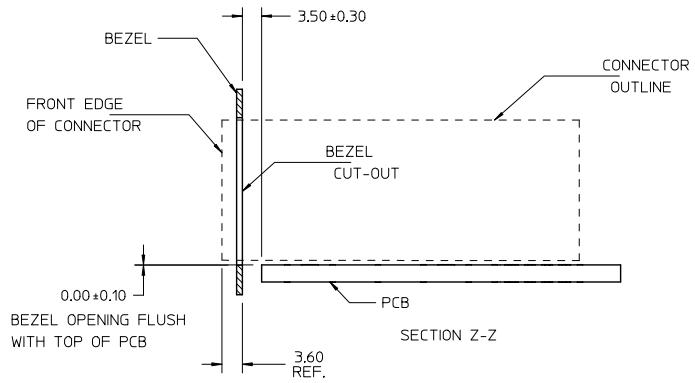
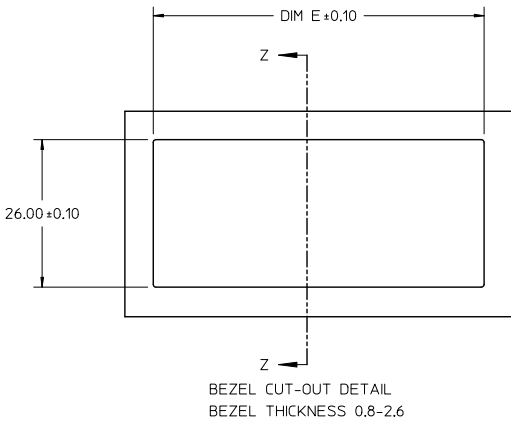
BACK ISO VIEW

SEE SHEET 1 EC NO: UCP2015-5220 DRAWN: JKACHLIC 2015/06/10 CHKD: MBANAKIS 2015/06/17 APPR: MBANAKIS 2015/06/17	QUALITY SYMBOLS	GENERAL TOLERANCES (UNLESS SPECIFIED)	DIMENSION STYLE	SCALE	DESIGN UNITS	THIRD ANGLE PROJECTION	
	$\nabla = 0$ $\nabla = 0$ $\nabla = 0$	mm INCH 4 PLACES ± --- ± --- 3 PLACES ± --- ± --- 2 PLACES ± --- ± --- 1 PLACE ± 0.25 ± --- 0 PLACE ± ±	MM ONLY	2:1	METRIC	DRAWN BY DATE JKACHLIC 2010/05/27 CHECKED BY DATE JKACHLIC 2010/06/03 APPROVED BY DATE MBANAKIS 2010/10/24	TITLE ZSFP+ STACKED FULL ASSY WITH ELASTOMERIC GASKET
	ANGULAR ± 1/2° DRAFT WHERE APPLICABLE MUST REMAIN WITHIN DIMENSIONS	MATERIAL NO. SEE CHART	DOCUMENT NO. SD-170071-0001	SHEET NO. 2 OF 4			
	THIS DRAWING CONTAINS INFORMATION THAT IS PROPRIETARY TO MOLEX INCORPORATED AND SHOULD NOT BE USED WITHOUT WRITTEN PERMISSION	molex		SIZE C			



HOLE CHART				
PORT SIZE	DIM "W"	SIGNALS (Ø0.37)	SHIELD GROUND (Ø0.56)	CONNECTOR LOCATION (Ø1.60)
2X1	14.25	40	24	2
2X2	28.50	80	39	4
2X4	57.00	160	69	8
2X6	85.50	240	99	12
2X8	114.00	320	129	16
2X12	171.00	480	189	24

<b>SEE SHEET 1</b> EC NO: UCP2015-5220 DRAWN: JKACHLIC 2015/06/10 CHKD: JKACHLIC APPROV: MBANAKIS 2015/06/17 DESCRIPTION: ZSFP+ STACKED 2X4 NO LIGHT PIPES	QUALITY SYMBOLS ▽=0 ▽=0.25 ▽=0	GENERAL TOLERANCES (UNLESS SPECIFIED) mm INCH		DIMENSION STYLE MM ONLY		SCALE 3:1	DESIGN UNITS METRIC	THIRD ANGLE PROJECTION
		4 PLACES ± --- ± ---	DRAWN BY JGONZALEZ01	DATE 2010/05/27	TITLE ZSFP+ STACKED FULL ASSY WITH ELASTOMERIC GASKET			
		3 PLACES ± --- ± ---	CHECKED BY JKACHLIC	DATE 2010/06/03	MATERIAL NO. SEE CHART			
		2 PLACES ± --- ± ---	APPROVED BY MBANAKIS	DATE 2010/10/24	DOCUMENT NO. SD-170071-0001	SHEET NO. 3 OF 4		
ANGLUAR ±1/2° DRAFT WHERE APPLICABLE MUST REMAIN WITHIN DIMENSIONS		THIS DRAWING CONTAINS INFORMATION THAT IS PROPRIETARY TO MOLEX INCORPORATED AND SHOULD NOT BE USED WITHOUT WRITTEN PERMISSION						

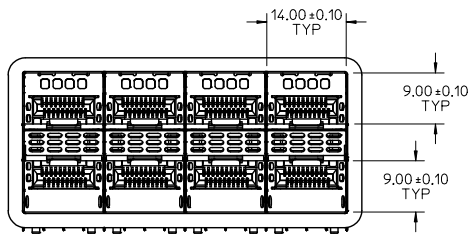
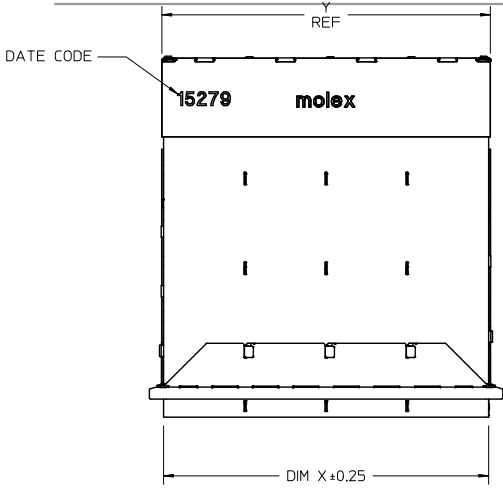


CONFIGURATION	DIM "E"
2X1	15.50
2X2	29.75
2X4	58.25
2X6	86.75
2X8	115.25
2X12	172.25

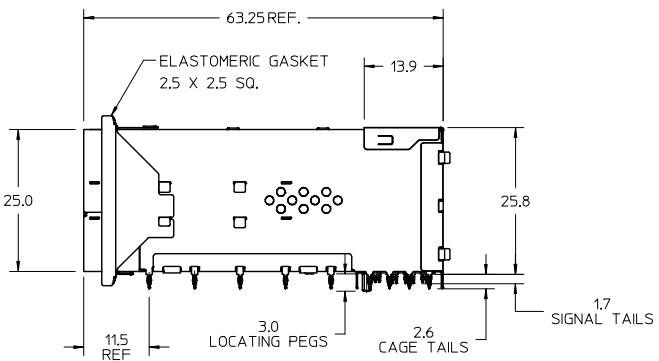
NOTE:

FOR SIDE BY SIDE STACKING OF CONNECTORS, A BASIC DIMENSION OF 5.25mm BETWEEN CONNECTOR MOUNTING PATTERNS IS RECOMMENDED.

QUALITY SYMBOLS	GENERAL TOLERANCES (UNLESS SPECIFIED)		DIMENSION STYLE		SCALE	DESIGN UNITS	THIRD ANGLE PROJECTION
	mm	INCH	MM ONLY	DATE			
▽=0	4 PLACES ±	±	DRAWN BY	2010/05/27	2:1	METRIC	ZSFP+ STACKED FULL ASSY WITH ELASTOMERIC GASKET
▽=0	3 PLACES ±	±	JGONZALEZ01	DATE			
▽=0	2 PLACES ±	±	CHECKED BY	2010/06/03	molex		
▽=0	1 PLACE ±	±	JKACHLIC	DATE			
▽=0	0 PLACE ±	±	APPROVED BY	2010/10/24	DOCUMENT NO.		SD-170071-0001
			MBANAKIS	DATE	MATERIAL NO.		
			ANGULAR ±1/2°		SEE CHART		SHEET NO.
			DRAFT WHERE APPLICABLE MUST REMAIN WITHIN DIMENSIONS		THIS DRAWING CONTAINS INFORMATION THAT IS PROPRIETARY TO MOLEX INCORPORATED AND SHOULD NOT BE USED WITHOUT WRITTEN PERMISSION		4 OF 4



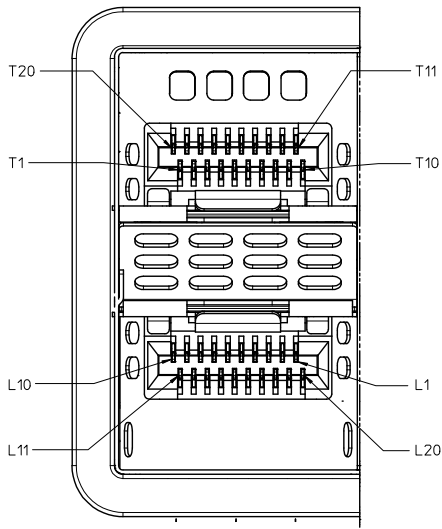
- NOTES:
- MATERIAL:
    - CAGE: NICKEL SILVER
    - CONNECTOR HOUSING: GLASS FILLED THERMOPLASTIC, UL: 94V-0, COLOR: BLACK
    - TERMINALS: HIGH PERFORMANCE COPPER ALLOY
    - FRONT SHIELD WALL: COPPER ALLOY
    - ELASTOMERIC GASKET: SILVER IMPREGNATED SILICONE
  - FINISH
    - TERMINALS: CONTACT AREA: 0.76 μm MIN. HARD GOLD OVER 3.8 μm MIN. NICKEL.
    - COMPLIANT TAIL: 0.7-1.5 μm MATTE TIN OVER 0.7-1.5 μm NICKEL
    - FRONT SHIELD WALL: 0.7-1.5 μm NICKEL OVERALL
  - 2X4 CONFIGURATION SHOWN FOR REFERENCE, SEE CHART FOR AVAILABLE OPTIONS
  - REFER TO PS-170071-0001 FOR ALL ELECTRICAL, MECHANICAL AND ENVIRONMENTAL SPECIFICATIONS.
  - REFER TO AS-170071-0001 FOR CONNECTOR MOUNTING AND REWORK INFORMATION.
  - REFER TO AS-170071-0002 FOR PCB ROUTING RECOMMENDATIONS.
  - ALL SURFACES CLASS "C" PER MOLEX COSMETIC SPECIFICATION ES-171233-0001.



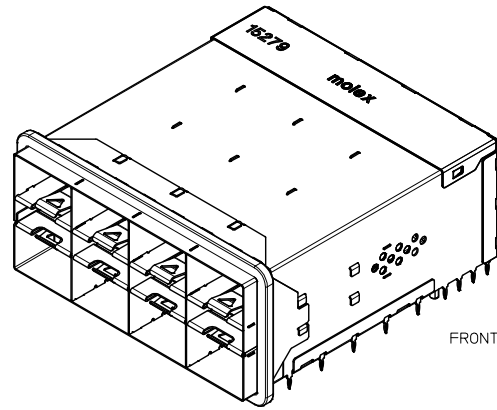
170071-4004 SHOWN FOR REFERENCE  
 APPEARANCE MAY VARY WITH SIZE

PORT SIZE	PART NUMBER	DIM X	DIM Y
2X2	1700712004	28.75	29.35
2X4	1700714004	57.25	57.85
2X6	1700716004	85.75	86.35
2X8	1700718004	114.25	114.85
2X12	1700711204	171.25	171.85

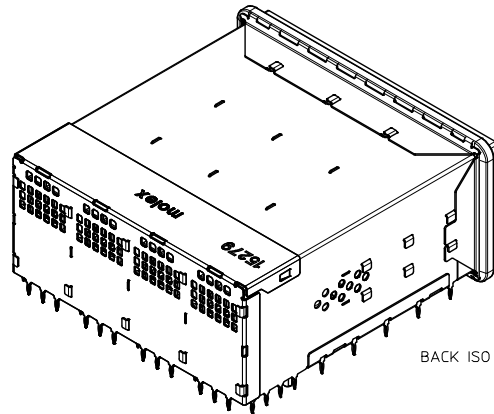
PRELIM RELEASE EC NO: UCP2015-5506 DRAWN: JKACHL I C 2015/06/24 CHKD: APPR: MBANAKIS 2015/06/25 DESCRIPTION:	QUALITY SYMBOLS ∇=0 ∇=0 ∇=0	GENERAL TOLERANCES (UNLESS SPECIFIED) mm INCH 4 PLACES ± --- ± --- 3 PLACES ± --- ± --- 2 PLACES ± --- ± --- 1 PLACE ± 0.25 ± --- 0 PLACE ± ±	DIMENSION STYLE MM ONLY	SCALE 2:1	DESIGN UNITS METRIC	THIRD ANGLE PROJECTION
		ANGULAR ±1/2° DRAFT WHERE APPLICABLE MUST REMAIN WITHIN DIMENSIONS	DRAWN BY JKACHL I C DATE 2015/06/24	CHECKED BY DATE 2015/06/24	APPROVED BY MBANAKIS DATE 2015/06/25	MATERIAL NO. SEE CHART



Partial1  
SCALE 6:1

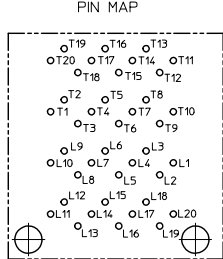
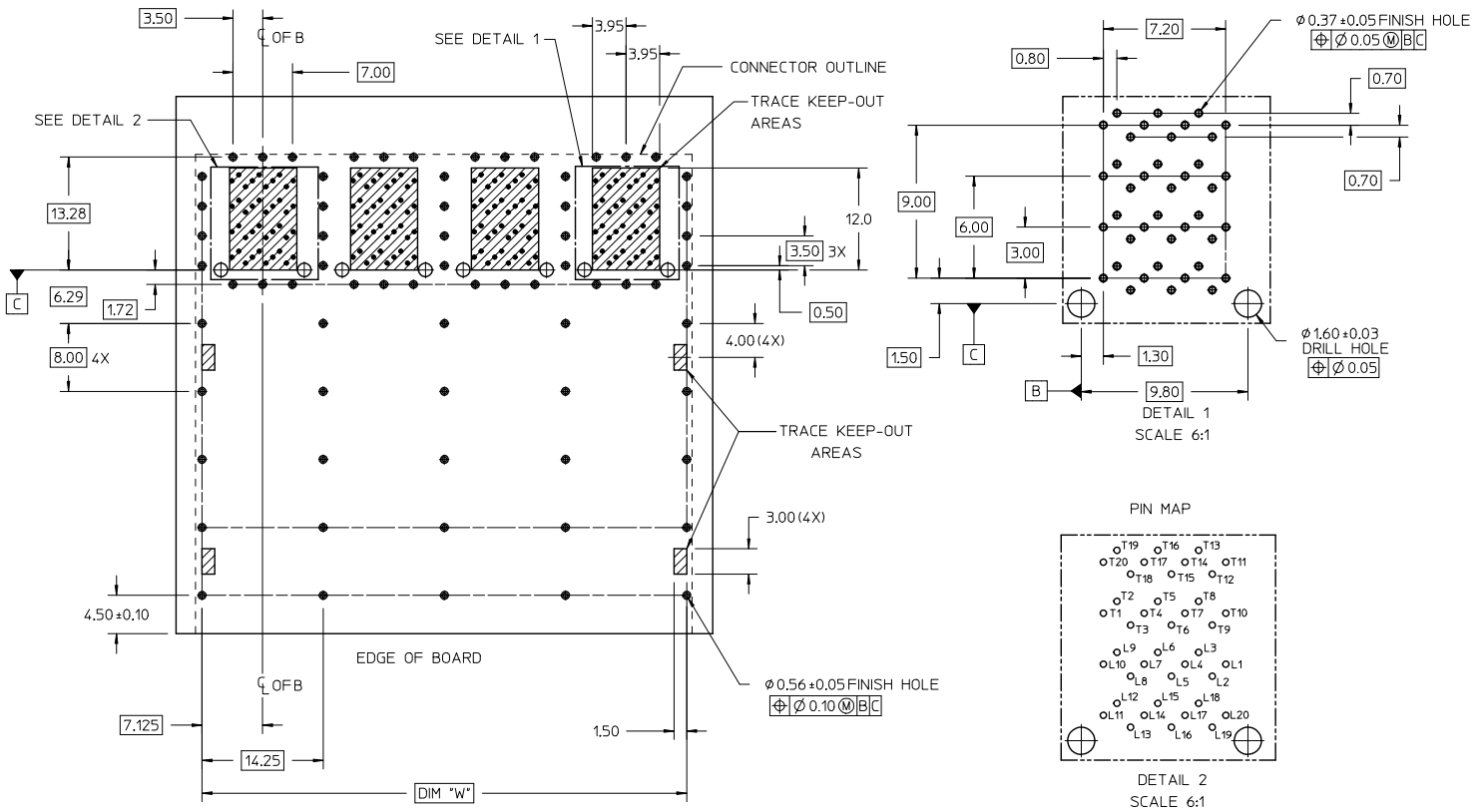


FRONT ISO VIEW



BACK ISO VIEW

SEE SHEET 1 EC NO: UCF2015-5506 DRAWN: JKACHLIC 2015/06/24 CHKD: MBANAKIS 2015/06/25 APPR: MBANAKIS 2015/06/25	QUALITY SYMBOLS ∇=0 ∇=0 ∇=0	GENERAL TOLERANCES (UNLESS SPECIFIED)		DIMENSION STYLE MM ONLY		SCALE 2:1	DESIGN UNITS METRIC	THIRD ANGLE PROJECTION		
						DRAWN BY JKACHLIC		DATE 2015/06/24		TITLE ZSFP+ STACKED FLOW THRU WITH ELASTOMERIC GASKET
						CHECKED BY		DATE		
						APPROVED BY MBANAKIS		DATE 2015/06/25		DOCUMENT NO. SD-170071-0004
				MATERIAL NO.		SEE CHART		SHEET NO. 2 OF 4		
		ANGULAR ±1/2°		DRAFT WHERE APPLICABLE MUST REMAIN WITHIN DIMENSIONS		THIS DRAWING CONTAINS INFORMATION THAT IS PROPRIETARY TO MOLEX INCORPORATED AND SHOULD NOT BE USED WITHOUT WRITTEN PERMISSION				

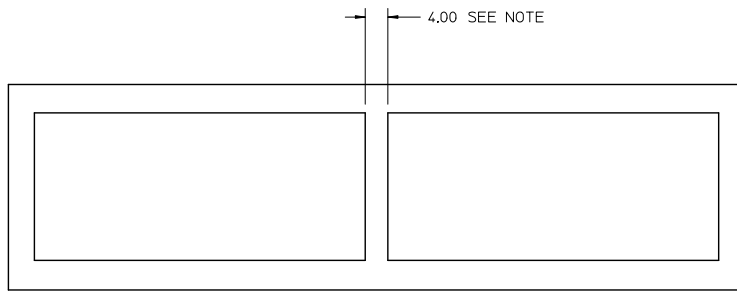
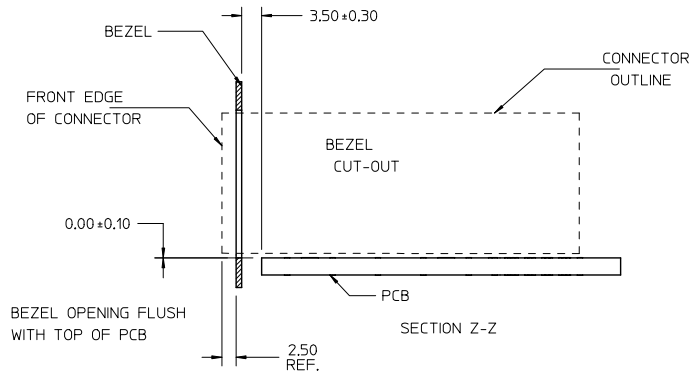
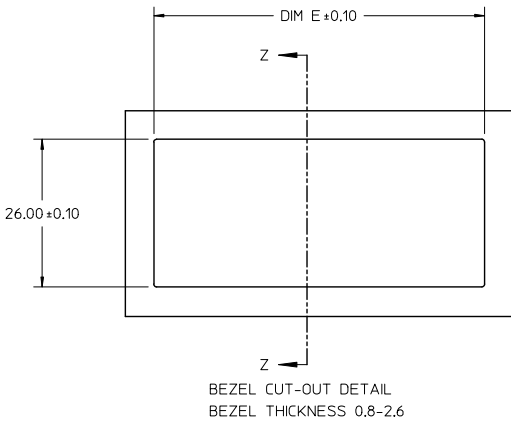


DETAIL 2  
SCALE 6:1

HOLE CHART				
PORT SIZE	DIM "W"	SIGNALS (Ø0.37)	SHIELD GROUND (Ø0.56)	CONNECTOR LOCATION (Ø1.60)
2X2	28.50	80	39	4
2X4	57.00	160	69	8
2X6	85.50	240	99	12
2X8	114.00	320	129	16
2X12	171.00	480	189	24

SEE SHEET 1 EC NO: UCP2015-5506 DRAWN: JKACHLIC 2015/06/24 CHKD: MBANAKIS APPR: MBANAKIS 2015/06/25 DESCRIPTION: ZSFP+ STACKED 2X4 NO LIGHT PIPES REV: 1	QUALITY SYMBOLS	GENERAL TOLERANCES (UNLESS SPECIFIED)	DIMENSION STYLE	SCALE	DESIGN UNITS	THIRD ANGLE PROJECTION
	4 PLACES ± --- ± --- 3 PLACES ± --- ± --- 2 PLACES ± --- ± --- 1 PLACE ± 0.25 ± --- 0 PLACE ± ±	mm INCH ± --- ± --- ± --- ± --- ± --- ± --- ± --- ± ---	MM ONLY	3:1	METRIC	TITLED ZSFP+ STACKED FLOW THRU WITH ELASTOMERIC GASKET
	ANGULAR ±1/2° DRAFT WHERE APPLICABLE MUST REMAIN WITHIN DIMENSIONS	APPROVED BY MBANAKIS 2015/06/25	DATE 2015/06/24	MATERIAL NO. SEE CHART	DOCUMENT NO. SD-170071-0004	molex
	THIS DRAWING CONTAINS INFORMATION THAT IS PROPRIETARY TO MOLEX INCORPORATED AND SHOULD NOT BE USED WITHOUT WRITTEN PERMISSION	SIZE C	SHEET NO. 3 OF 4			





CONFIGURATION	DIM "E"
2X2	29.75
2X4	58.25
2X6	86.75
2X8	115.25
2X12	172.25

NOTE:

FOR SIDE BY SIDE STACKING OF CONNECTORS, A BASIC DIMENSION OF 5.25mm BETWEEN CONNECTOR MOUNTING PATTERNS IS RECOMMENDED.

SEE SHEET 1 EC NO: UCP2015-5506 DRAWN: JKACHLIC 2015/06/24 CHKD: MBANAKIS 2015/06/25 APPR: MBANAKIS	QUALITY SYMBOLS ∇=0 ∇=0 ∇=0	GENERAL TOLERANCES (UNLESS SPECIFIED)		DIMENSION STYLE MM ONLY		SCALE 2:1	DESIGN UNITS METRIC	THIRD ANGLE PROJECTION
		4 PLACES ± --- ± --- 3 PLACES ± --- ± --- 2 PLACES ± --- ± --- 1 PLACE ± 0.25 ± --- 0 PLACE ± ±	mm INCH ± --- ± --- ± --- ± --- ± --- ± --- ± --- ± ---	DRAWN BY JKACHLIC	DATE 2015/06/24	TITLE ZSFP+ STACKED FLOW THRU WITH ELASTOMERIC GASKET		molex
1 REV	DESCRIPTION	ANGULAR ±1/2° DRAFT WHERE APPLICABLE MUST REMAIN WITHIN DIMENSIONS		APPROVED BY MBANAKIS	DATE 2015/06/25	MATERIAL NO. SEE CHART	DOCUMENT NO. SD-170071-0004	SHEET NO. 4 OF 4