



**Distributor of Molex Connector Corporation: Excellent Integrated System Limited**  
Datasheet of 0480372001 - Connector Plug USB TypeA 4 Position Surface Mount, Right Angle,  
Horizontal

Contact us: [sales@integrated-circuit.com](mailto:sales@integrated-circuit.com) Website: [www.integrated-circuit.com](http://www.integrated-circuit.com)

---

## **Excellent Integrated System Limited**

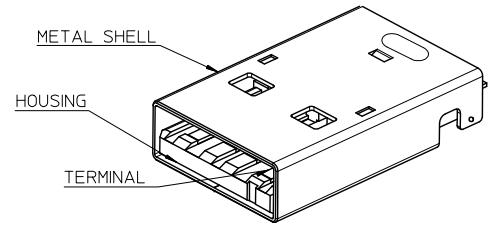
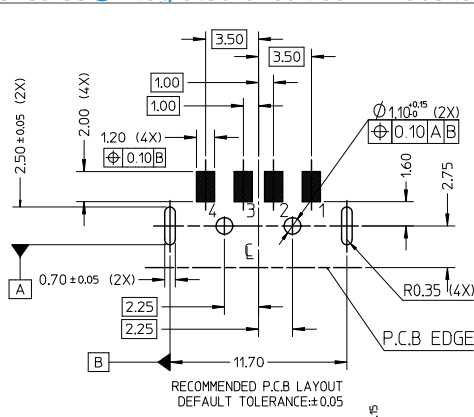
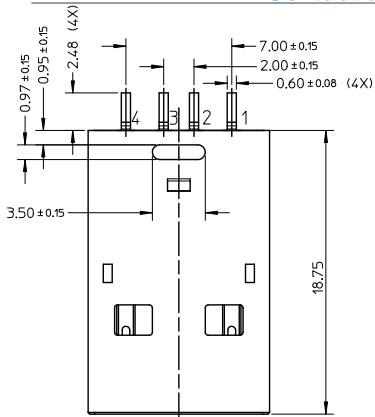
Stocking Distributor

Click to view price, real time Inventory, Delivery & Lifecycle Information:

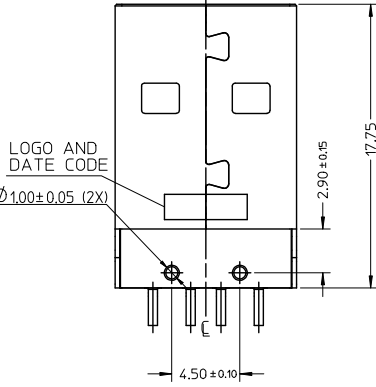
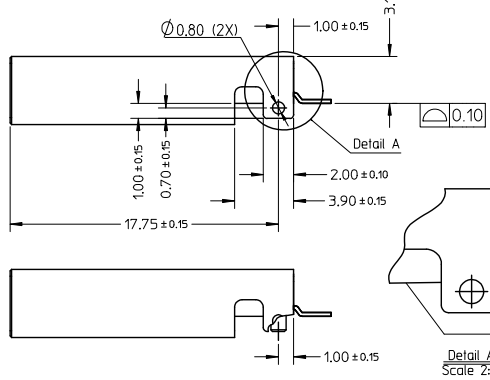
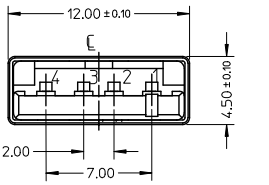
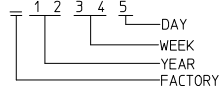
[Molex Connector Corporation](#)  
[0480372001](#)

For any questions, you can email us directly:  
[sales@integrated-circuit.com](mailto:sales@integrated-circuit.com)

Contact us: sales@integrated-circuit.com Website: www.integrated-circuit.com



- NOTES:
- MATERIAL:  
 HOUSING: PA46/GLASS FIBER FILLED, UL94V-0, COLOR:BLACK.  
 TERMINAL: BRASS  
 METAL SHELL: COLD ROLL STEEL
  - FINISH:  
 TERMINAL:  
 GOLD(AU) IN CONTACT AREA  
 THICKNESS=30 MICROINCH MINIMUM.  
 TIN(Sn) ALLOY IN SOLDER TAIL AREA  
 THICKNESS=120 MICROINCH MINIMUM.  
 NICKEL(NI) OVERALL  
 THICKNESS=50 MICROINCH MINIMUM.  
 METAL SHELL:  
 NICKEL(NI) OVERALL  
 THICKNESS=50 MICROINCH MINIMUM.  
 UNDER PLATED: COPPER(CU), OVERALL  
 THICKNESS=50 MICROINCH MINIMUM.
  - RECOMMENDED PCB THICKNESS: 1.0mm ±0.05
  - PRODUCT SPECIFICATION REFERS TO PS-48037-001
  - PACKAGE SPECIFICATION REFERS TO PK-48037-210
  - TEST SUMMARY REFERS TO TS-48037-001
  - COPLANARITY TO BE 0.1mm MAX.
  - LEAD FREE AND ROHS COMPLIANCE.
  - DATE CODE:



<b>CHANGE TOLERANCE</b> EC NO: SH2009-0030 2008.08/14 DRAWING: GWANG08 2008.08/15 CHK/DWG: CHANG02 2008.08/15 APPR: HWANG 2008/10/20	<b>QUALITY SYMBOLS</b> ▼=0 ▽=0	<b>GENERAL TOLERANCES (UNLESS SPECIFIED)</b>		<b>DIMENSION STYLE</b> MM ONLY		SCALE 1:1	DESIGN UNITS METRIC	THIRD ANGLE PROJECTION	
		4 PLACES ± --- ± ---	mm	INCH	DRAWN BY	DATE	<b>USB A TYPE PLUG R/A SMT CONNECTOR</b>		
		3 PLACES ± --- ± ---			JASON	05/21/2007			
		2 PLACES ± 0.20 ± ---			CHECKED BY	DATE	<b>MOLEX INCORPORATED</b>		
1 PLACE ± 0.25 ± ---			BKANG	05/21/2007					
DRAFT WHERE APPLICABLE MUST REMAIN WITHIN DIMENSIONS		ANGULAR ± 3°		APPROVED BY ALL IN	DATE 05/21/2007	MATERIAL NO. 48037-2001	DOCUMENT NO. SD-48037-005	SHEET NO. 1 OF 1	