

Excellent Integrated System Limited

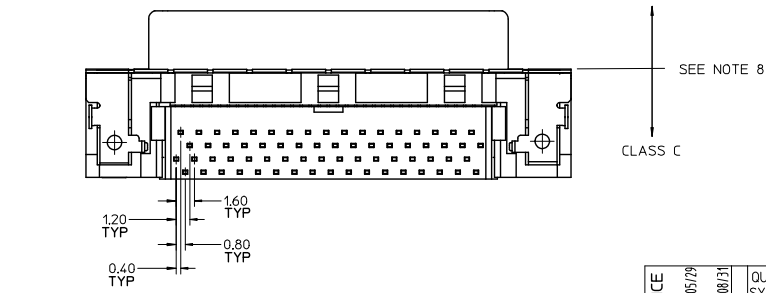
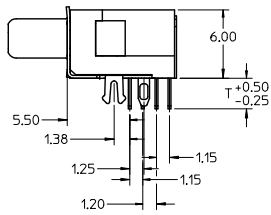
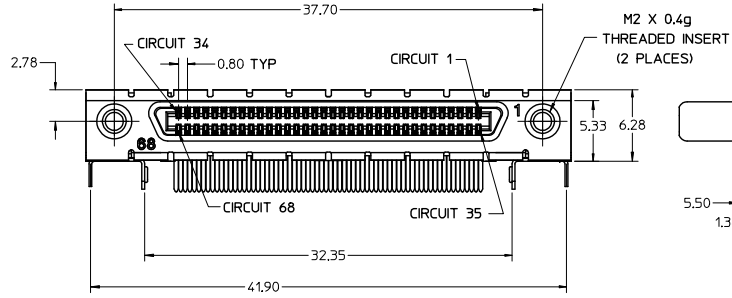
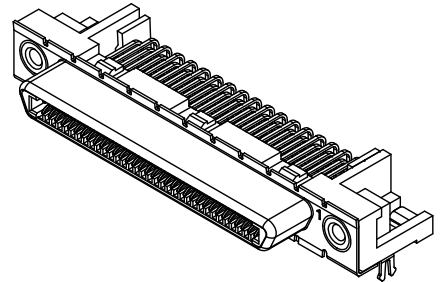
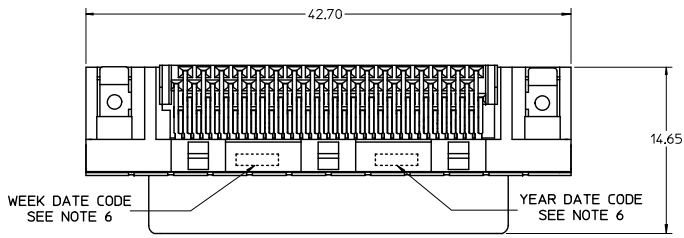
Stocking Distributor

Click to view price, real time Inventory, Delivery & Lifecycle Information:

[Molex Connector Corporation](#)
[0714309008](#)

For any questions, you can email us directly:

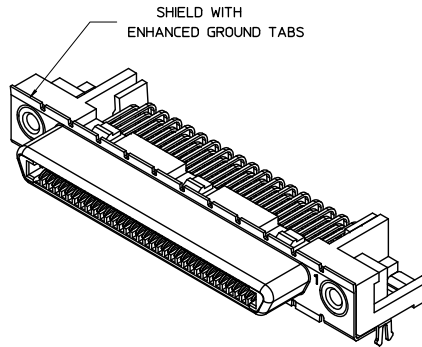
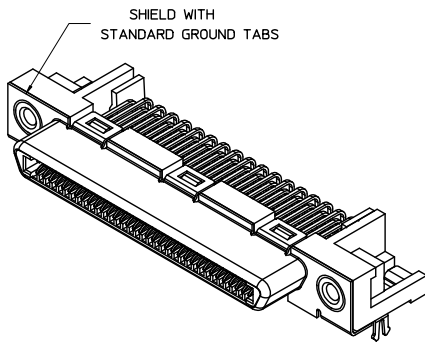
sales@integrated-circuit.com



- NOTES:
1. MATERIALS:
HOUSING: GLASS-FILLED LIQUID CRYSTAL POLYMER (LCP), UL94 V-0, COLOR:BLACK
TAIL ALIGNER: GLASS-FILLED LIQUID CRYSTAL POLYMER (LCP), UL94 V-0, COLOR:BLACK
TERMINAL: PHOSPHOR BRONZE
SHIELD: STEEL
INSERT: BRASS
 2. FINISHES:
TERMINAL: 0.05-0.25 MICROMETERS GOLD FLASH OVER 0.75 MICROMETERS MINIMUM PALLADIUM NICKEL IN THE CRITICAL CONTACT AREA, 1.87 MICROMETERS MINIMUM TIN IN THE SOLDER TAIL AREA, NICKEL UNDERPLATE OVERALL.
SHIELD: 3.8 MICROMETERS MINIMUM BRIGHT TIN OVER NICKEL.
INSERT: 2.54 MICROMETERS MINIMUM NICKEL.
 3. PART PERFORMS TO MOLEX PRODUCT SPECIFICATION PS-71425-9999.
 4. PACKAGE PER PK-71430-0101.
 5. APPLICABLE STANDARDS: EIA-3652 AND SFF-8441.
 6. DATE CODE: YR/WK PER EIA-476-A.
 7. TORQUE TO INSTALL SCREWLOCKS INTO THREADED INSERTS: 0.34 Nm MAXIMUM.
 8. PRODUCT COMPLIES WITH COSMETIC SPECIFICATION PS-45499-002. SEE BOTTOM VIEW FOR SURFACE CLASSIFICATIONS.

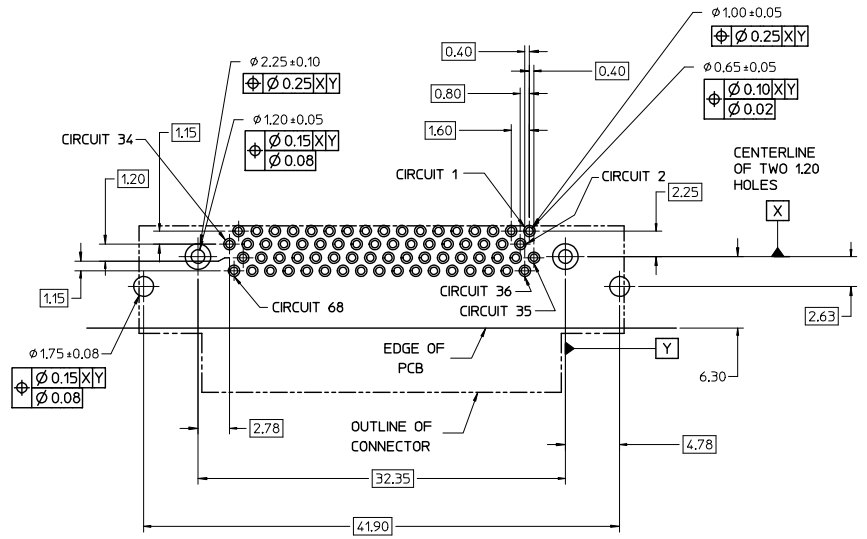
FIX TAIL TOLERANCE EC NO: UCP2012-3896 DRAWN BY: RKBARKER CHECKED BY: CHKDRMOLPE APPROVED BY: APPLRSMILLER DATE: 2012/05/29 DATE: 2012/08/31	QUALITY SYMBOLS ∇=0 ∇=0 ∇=0	GENERAL TOLERANCES (UNLESS SPECIFIED)		DIMENSION STYLE		SCALE	DESIGN UNITS	THIRD ANGLE PROJECTION	
		mm	INCH	MM ONLY		4:1	METRIC	THIRD ANGLE PROJECTION	
		4 PLACES ±---	±---	DRAWN BY	DATE	TITLE			
		3 PLACES ±---	±---	7/12/2004	7/12/2004	VHDCI RIGHT ANGLE ASSEMBLY			
2 PLACES ±0.13	±---	CHECKED BY	DATE	molex MATERIAL NO. DOCUMENT NO. SHEET NO. SEE SHEET 2 SD-71430-016 1 OF 3					
1 PLACE ±0.25	±---	7/12/2004	7/12/2004						
0 PLACE ±	±	APPROVED BY	DATE	DRAFT WHERE APPLICABLE MUST REMAIN WITHIN DIMENSIONS THIS DRAWING CONTAINS INFORMATION THAT IS PROPRIETARY TO MOLEX INCORPORATED AND SHOULD NOT BE USED WITHOUT WRITTEN PERMISSION					
		SMILLER	7/12/2004						

PCB THICKNESS	PART NUMBER	TAIL LENGTH "T" (SEE FIGURE FOR TOLERANCE)	ENHANCED GROUND TABS	SCREWLOCKS
1.60	71430-9101	2.08	NO	NONE
1.60		2.08	NO	LOOSE IN BAGS
1.60	71430-9005	2.08	YES	NONE
1.60	71430-9008	2.08	YES	LOOSE IN BAGS
2.36		2.71	NO	NONE
2.36	71430-5006	2.71	NO	INSTALLED
2.36	71430-9268	2.71	NO	NONE
2.36	71430-5009	2.71	YES	INSTALLED
2.36		2.71	NO	LOOSE IN BAGS
2.36		2.71	YES	LOOSE IN BAGS



OPTIONAL SCREWLOCK
PART NUMBER 71433-0002

SEE SHEET 1 EC NO: UCF2012-3896 DRAWN BY: CHK/DM/PE APPR: SMILLER 2012/08/31	QUALITY SYMBOLS	GENERAL TOLERANCES (UNLESS SPECIFIED)	DIMENSION STYLE	SCALE	DESIGN UNITS	THIRD ANGLE PROJECTION
	▽=0	mm INCH	MM ONLY	4:1	METRIC	
	▽=0	4 PLACES ± --- ± ---	DRAWN BY: RKADAMS	DATE: 7/12/2004	TITLE: VHDCI RIGHT ANGLE ASSEMBLY	
	▽=0	3 PLACES ± --- ± ---	CHECKED BY: BBARKER	DATE: 7/12/2004		
▽=0	2 PLACES ± 0.13 ± ---	APPROVED BY: SMILLER	DATE: 7/12/2004			
		1 PLACE ± 0.25 ± ---				
		0 PLACE ± ±				
		ANGULAR ±1/2°	MATERIAL NO.	DOCUMENT NO.		SHEET NO.
		DRAFT WHERE APPLICABLE MUST REMAIN WITHIN DIMENSIONS	SEE TABLE	SD-71430-016		2 OF 3
			THIS DRAWING CONTAINS INFORMATION THAT IS PROPRIETARY TO MOLEX INCORPORATED AND SHOULD NOT BE USED WITHOUT WRITTEN PERMISSION			



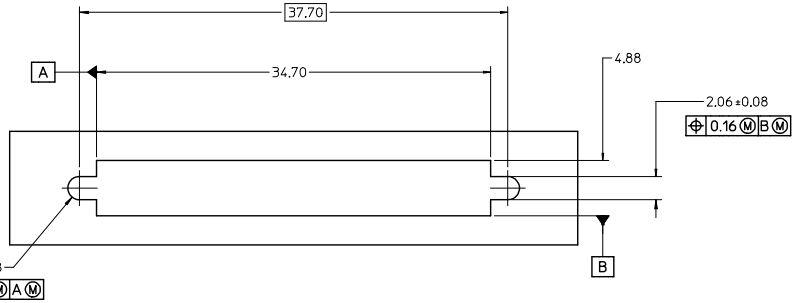
NOTES:

- FOR FULL MATE WITH PLUG, PANEL THICKNESS SHOULD NOT EXCEED 1.0mm.

FUNCTIONAL MATING WITH MOLEX PLUG CAN STILL BE MAINTAINED WITH PANELS AS THICK AS 2.5mm (BUT PLUG AND RECEPTACLE WILL NOT BE FULLY MATED).

2. GUIDELINES FOR CHOOSING A MOLEX SCREWLOCK:

PANEL THICKNESS	RECOMMENDED SCREWLOCK
LESS THAN OR EQUAL TO 1.00 MM	71433-0002
1.01 TO 2.15 MM	71433-0010



SEE SHEET 1 EC NO: UCP2012-3096 DRAWN BY: BKADAMS CHKD BY: BBARKER APPROVED BY: SMILLER DATE: 2012/05/29 2012/08/31	QUALITY SYMBOLS ▽=0 ▽=0 ▽=0	GENERAL TOLERANCES (UNLESS SPECIFIED)		DIMENSION STYLE MM ONLY		SCALE 4:1	DESIGN UNITS METRIC	THIRD ANGLE PROJECTION	
		4 PLACES ± ---	± ---	DRAWN BY BKADAMS	DATE 7/12/2004	TITLE VHDCI RIGHT ANGLE ASSEMBLY			
		3 PLACES ± ---	± ---	CHECKED BY BBARKER	DATE 7/12/2004				
2 PLACES ± 0.13	± ---	APPROVED BY SMILLER	DATE 7/12/2004	DOCUMENT NO. SD-71430-016					
1 PLACE ± 0.25	± ---	MATERIAL NO.						SHEET NO. 3 OF 3	
0 PLACE ±	±	ANGULAR ±1/2°		SEE SHEET 2		REV			
DRAFT WHERE APPLICABLE MUST REMAIN WITHIN DIMENSIONS		SIZE C		THIS DRAWING CONTAINS INFORMATION THAT IS PROPRIETARY TO MOLEX INCORPORATED AND SHOULD NOT BE USED WITHOUT WRITTEN PERMISSION					