

Excellent Integrated System Limited

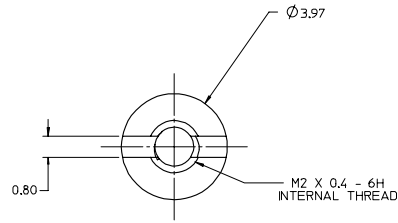
Stocking Distributor

Click to view price, real time Inventory, Delivery & Lifecycle Information:

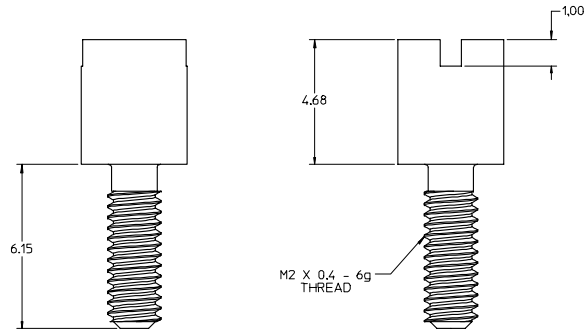
[Molex Connector Corporation](#)
[0714330010](#)

For any questions, you can email us directly:

sales@integrated-circuit.com



- NOTES:
 1. MATERIAL: HOT ROLLED STEEL.
 2. FINISH: BRIGHT NICKEL OVERALL.
 3. PACKAGING: 200 PARTS TO BE BULK PACKED IN BAGS.



INITIAL RELEASE ELC NO: UCP2007-2550 DRAWN BY: MIBARRA 2007/04/09 CHECKED BY: BBARKER 2007/04/09 APPROVED BY: SMILLER 2007/04/09 A1	QUALITY SYMBOLS ▽=0 ∇=0	GENERAL TOLERANCES (UNLESS SPECIFIED)	DIMENSION STYLE MM ONLY	SCALE 10:1	DESIGN UNITS METRIC	THIRD ANGLE PROJECTION															
		<table border="1"> <thead> <tr> <th></th> <th>mm</th> <th>INCH</th> </tr> </thead> <tbody> <tr> <td>4 PLACES</td> <td>±.005</td> <td>±.0004</td> </tr> <tr> <td>3 PLACES</td> <td>±.008</td> <td>±.0003</td> </tr> <tr> <td>2 PLACES</td> <td>±0.13</td> <td>±.005</td> </tr> <tr> <td>1 PLACE</td> <td>±.005</td> <td>±.0004</td> </tr> </tbody> </table> ANGULAR ±1/2°		mm	INCH	4 PLACES	±.005	±.0004	3 PLACES	±.008	±.0003	2 PLACES	±0.13	±.005	1 PLACE	±.005	±.0004	DRAWN BY: MIBARRA 2007/04/09 CHECKED BY: BBARKER 2007/04/09 APPROVED BY: SMILLER 2007/04/09	TITLE VHDCI M2 X 0.4MM FEMALE ROUND SCREWLOCK	MOLEX INCORPORATED	
		mm	INCH																		
	4 PLACES	±.005	±.0004																		
3 PLACES	±.008	±.0003																			
2 PLACES	±0.13	±.005																			
1 PLACE	±.005	±.0004																			
DRAFT WHERE APPLICABLE MUST REMAIN WITHIN DIMENSIONS	MATERIAL NO. 71433-0010	DOCUMENT NO. SD-71433-010	SHEET NO. 1 OF 1																		
THIS DRAWING CONTAINS INFORMATION THAT IS PROPRIETARY TO MOLEX INCORPORATED AND SHOULD NOT BE USED WITHOUT WRITTEN PERMISSION																					