

## Excellent Integrated System Limited

Stocking Distributor

Click to view price, real time Inventory, Delivery & Lifecycle Information:

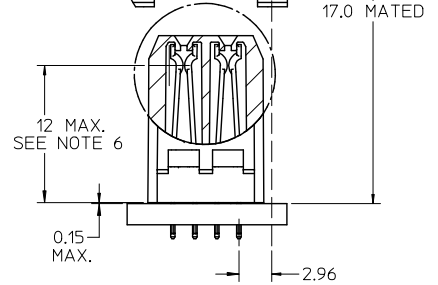
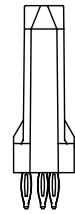
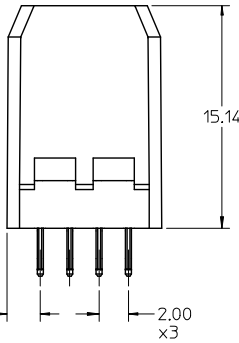
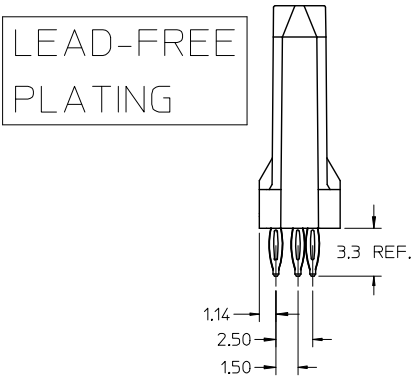
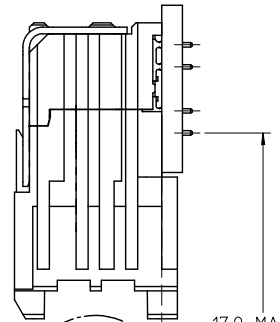
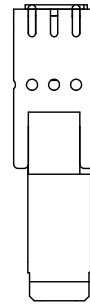
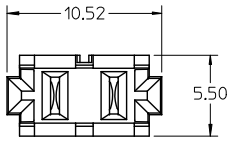
[Molex Connector Corporation](#)  
[0740296052](#)

For any questions, you can email us directly:

[sales@integrated-circuit.com](mailto:sales@integrated-circuit.com)

NOTES:

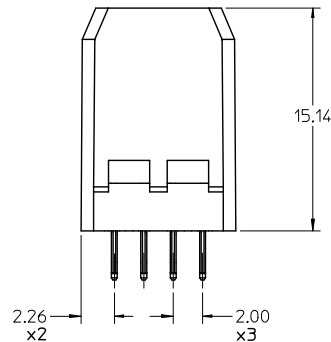
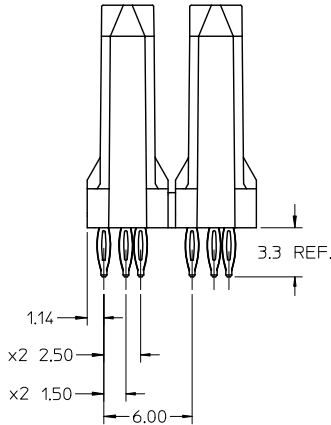
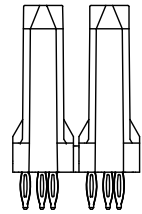
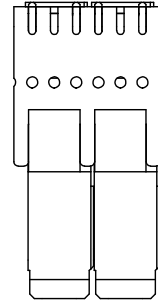
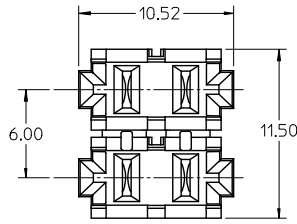
1. MATERIALS:  
HOUSING - LIQUID CRYSTAL POLYMER (LCP),  
UL94 V-0, COLOR: BLACK,  
TERMINAL - COPPER ALLOY
2. FINISH: SELECTIVE GOLD ON MATING SURFACE,  
MATTE TIN ON TAILS; NICKEL UNDERPLATE.
3. THIS PART CONFORMS TO PRODUCT SPECIFICATION  
PS-74031-999.
4. SINGLE ROW ASSEMBLY PACKAGED PER PK-70873-0876.
5. MATES WITH 74026 SERIES DAUGHTERCARD POWER ASSEMBLY.
6. MATING INTERFACE MEASURED FROM BOTTOM OF HOUSING.



MOLEX P/N	GOLD THICKNESS (MINIMUM)	TAIL PLATING
74029-6000	30 MICROINCHES	MATTE TIN
74029-6050	50 MICROINCHES	

ADD LEADED P/N EC NO: IJCP2013-0146 DT DRIVSANG01 2012/07/12 CHKRMOLFE 2012/07/12 APPRSNILLER 2012/08/06	QUALITY SYMBOLS	GENERAL TOLERANCES (UNLESS SPECIFIED)	DIMENSION STYLE	SCALE	DESIGN UNITS	THIRD ANGLE PROJECTION																		
	$\nabla=0$ $\nabla=0$ $\nabla=0$	<table border="1"> <thead> <tr> <th></th> <th>mm</th> <th>INCH</th> </tr> </thead> <tbody> <tr> <td>4 PLACES</td> <td>±---</td> <td>±---</td> </tr> <tr> <td>3 PLACES</td> <td>±---</td> <td>±---</td> </tr> <tr> <td>2 PLACES</td> <td>±0.25</td> <td>±---</td> </tr> <tr> <td>1 PLACE</td> <td>±0.38</td> <td>±---</td> </tr> <tr> <td>0 PLACE</td> <td>±</td> <td>±</td> </tr> </tbody> </table>		mm	INCH	4 PLACES	±---	±---	3 PLACES	±---	±---	2 PLACES	±0.25	±---	1 PLACE	±0.38	±---	0 PLACE	±	±	MM ONLY	4:1	METRIC	@ THIRD ANGLE PROJECTION
		mm	INCH																					
	4 PLACES	±---	±---																					
3 PLACES	±---	±---																						
2 PLACES	±0.25	±---																						
1 PLACE	±0.38	±---																						
0 PLACE	±	±																						
ANGLULAR ±1/2° DRAFT WHERE APPLICABLE MUST REMAIN WITHIN DIMENSIONS	DRAWN BY ELO 2003/07/14 CHECKED BY STANFORD 2003/07/17 APPROVED BY BIXLER 2003/07/21	MATERIAL NO. SEE TABLE	TITLE VHDM/HSD POWER 6 ROW BACKPLANE SALES DRAWING	DOCUMENT NO. SD-74029-011	SHEET NO. 1 OF 3																			
THIS DRAWING CONTAINS INFORMATION THAT IS PROPRIETARY TO MOLEX INCORPORATED AND SHOULD NOT BE USED WITHOUT WRITTEN PERMISSION																								

- NOTES:
1. THIS DESIGN INTENDED AS OPTION TO HAVING TWO SINGLE ROW MODULES NEXT TO EACH OTHER.
  2. FINISH: SELECTIVE GOLD ON MATING SURFACE; TIN/LEAD OR MATTE TIN ON TAILS; NICKEL UNDERPLATE.
  3. DUAL ROW ASSEMBLIES PACKED PER PK-70873-545.

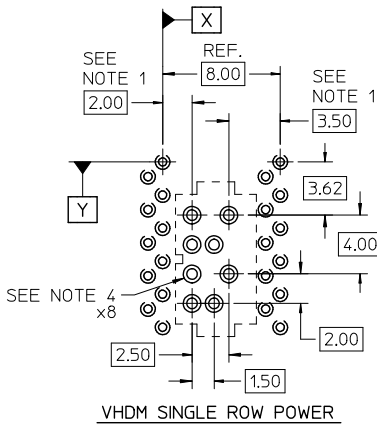
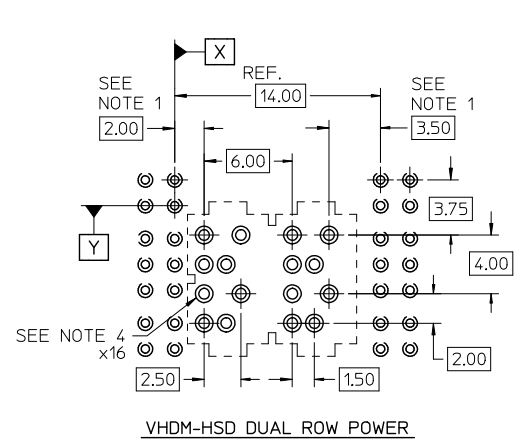
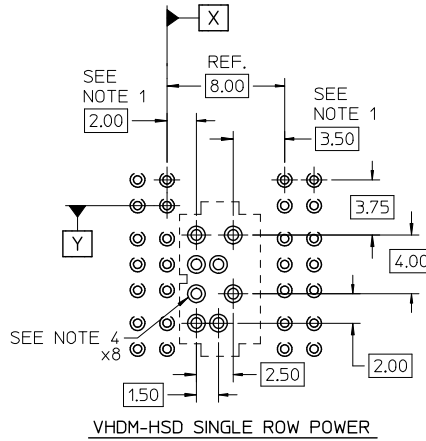
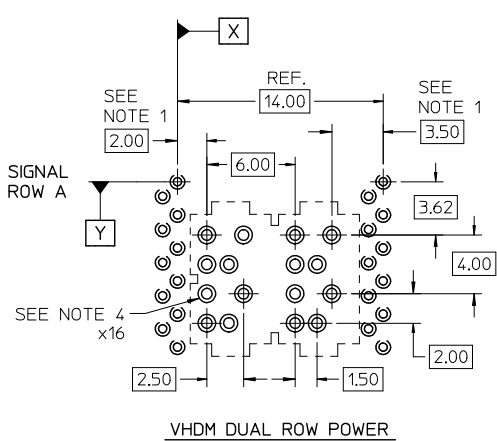


DUAL ROW ASSEMBLY

MOLEX P/N	GOLD THICKNESS (MINIMUM)	TAIL PLATING
74029-6002	30 MICROINCHES	MATTE TIN
74029-6052	50 MICROINCHES	
74029-6902	30 MICROINCHES	TIN/LEAD
74029-6952	50 MICROINCHES	

REV	DESCRIPTION	QUALITY SYMBOLS	GENERAL TOLERANCES (UNLESS SPECIFIED)		DIMENSION STYLE		SCALE	DESIGN UNITS	THIRD ANGLE PROJECTION
			mm	INCH	MM ONLY	4:1	METRIC	THIRD ANGLE PROJECTION	
1	SEE SHEET 1	▽=0	4 PLACES ±	±	ELO	2003/07/14			
2	EC NO: UCP2013-0146	▽=0	3 PLACES ±	±	CHECKED BY	DATE			
3	DRWNS/ANG01 2012/07/12	▽=0	2 PLACES ±	±	STANFORD	2003/07/17			
4	CHK/NOUFE 2012/07/12	▽=0	1 PLACE ±	±	APPROVED BY	DATE			
5	APP/PSMILLER 2012/08/06	▽=0	0 PLACE ±	±	BIXLER	2003/07/21			
			ANGULAR ±1/2°		MATERIAL NO.		DOCUMENT NO.		SHEET NO.
			DRAFT WHERE APPLICABLE MUST REMAIN WITHIN DIMENSIONS		SEE TABLE		SD-74029-011		2 OF 3
<p>THIS DRAWING CONTAINS INFORMATION THAT IS PROPRIETARY TO MOLEX INCORPORATED AND SHOULD NOT BE USED WITHOUT WRITTEN PERMISSION</p>									

BOARD LAYOUTS: 1.8 mm MIN. BOARD THICKNESS



NOTES:

1. ADDITIONAL SPACING CAN BE ADDED IN MULTIPLES OF 2.0 mm AS REQUIRED. FOR EACH ADDITIONAL SINGLE ROW POWER, ADD 6.00 mm.
2. SIGNAL ROW A IS IN LINE WITH DATUM Y IN ALL FOUR LAYOUTS.
3. FOUR HOLES ARE USED PER POWER CONTACT.
4. EACH POWER HOLE TO BE MANUFACTURED AS FOLLOWS:  
 $\varnothing 0.725 \pm 0.075$  PLATED THROUGH HOLE  
 $\varnothing 1.20$  PAD  
 $\varnothing 0.838$  DRILL  
 $\varnothing 0.10 \times Y$

SEE SHEET 1 EC NO: UCP2013-0146 DRAWN BY: CHYKSHAN001 CHECKED BY: CHYKSHAN001 APPROVED BY: APPR:SMILLER DATE: 2012/07/17 DATE: 2012/07/17 DATE: 2012/08/06	QUALITY SYMBOLS	GENERAL TOLERANCES (UNLESS SPECIFIED)		DIMENSION STYLE MM ONLY		SCALE 4:1	DESIGN UNITS METRIC	THIRD ANGLE PROJECTION
	$\nabla=0$	4 PLACES	±	---	±	---	DRAWN BY ELO	DATE 2003/07/14
	$\nabla=0$	3 PLACES	±	---	±	---	CHECKED BY STANFORD	DATE 2003/07/17
	$\nabla=0$	2 PLACES	±	0.25	±	---	APPROVED BY BIXLER	DATE 2003/07/21
		1 PLACE	±	0.38	±	---	MATERIAL NO.	DOCUMENT NO.
		0 PLACE	±	---	±	---	SEE TABLE	SD-74029-011
		ANGULAR ±1/2°		DRAFT WHERE APPLICABLE MUST REMAIN WITHIN DIMENSIONS		SHEET NO. 3 OF 3		
THIS DRAWING CONTAINS INFORMATION THAT IS PROPRIETARY TO MOLEX INCORPORATED AND SHOULD NOT BE USED WITHOUT WRITTEN PERMISSION								