

Excellent Integrated System Limited

Stocking Distributor

Click to view price, real time Inventory, Delivery & Lifecycle Information:

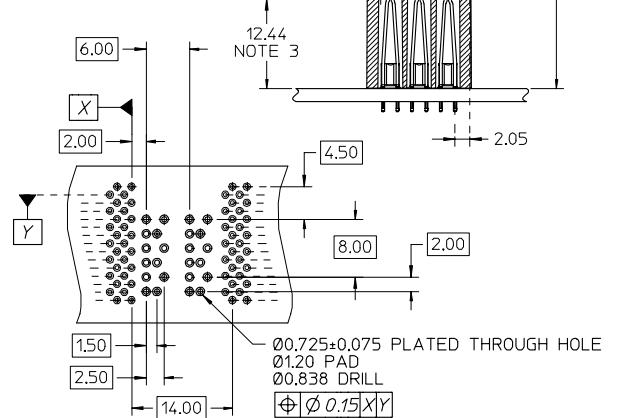
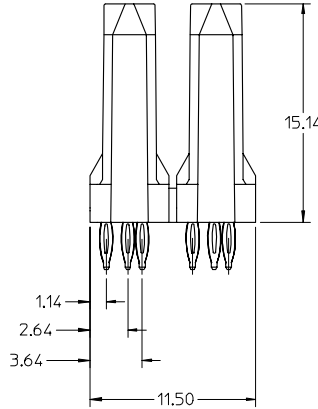
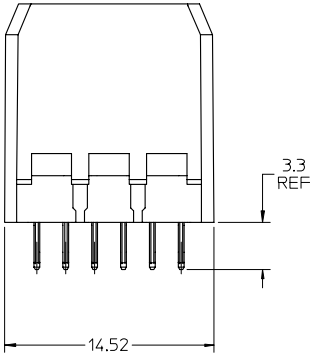
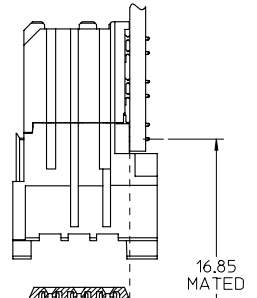
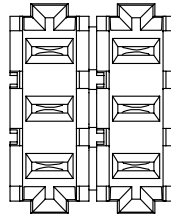
[Molex Connector Corporation](#)
[0740298052](#)

For any questions, you can email us directly:

sales@integrated-circuit.com

74029

- NOTES:
1. MATERIALS:
HOUSING - LIQUID CRYSTAL POLYMER (LCP)
UL94-V0, BLACK
TERMINAL - HIGH PERFORMANCE COPPER ALLOY
 2. THIS PART CONFORMS TO MOLEX PRODUCT SPECIFICATION PS-74031-999.
 3. DIMENSION IS THE MAXIMUM DISTANCE FROM BOTTOM OF HOUSING TO THE MATING POINT.
 4. PACKAGED PER PK-70873-0876.
 5. MINIMUM BOARD THICKNESS IS 1.8mm.
 6. PART WILL BE LASER MARKED WITH P/N AND DATE CODE.



ASSEMBLY P/N	PLATING THICKNESS (MATING SURFACE)
74029-80*2	
-8002	30 µin Au
-8052	50 µin Au

INITIAL RELEASE EC NO: LCP2005-0978 DRAWN: EBLYER 2004/12/06 CHKD: SREED 2004/12/06 APPR: SREED 2004/12/06	QUALITY SYMBOLS -0 -0	GENERAL TOLERANCES (UNLESS SPECIFIED)		SCALE 4:1	DESIGN UNITS METRIC	THIRD ANGLE PROJECTION	REVISE ON CAD ONLY	
		mm		INCH		DIMENSION STYLE MM ONLY		TITLE
		4 PLACES ±	---	±	---	DRAWN BY JJONIAK	DATE 2004/11/07	VHDM 8 ROW DUAL POWER BACKPLANE ASSEMBLY
		3 PLACES ±	---	±	---	CHECKED BY SREED	DATE 2004/11/07	MOLEX INCORPORATED
ANGULAR ± 5°		DRAFT WHERE APPLICABLE		APPROVED BY SREED	DATE 2004/11/07	MATERIAL NO. SEE CHART	DOCUMENT NO. SD-74029-802	
MUST REMAIN WITHIN DIMENSIONS		THIS DRAWING CONTAINS INFORMATION THAT IS PROPRIETARY TO MOLEX INCORPORATED AND SHOULD NOT BE USED WITHOUT WRITTEN PERMISSION				SHEET NO. 1 OF 1		