

## Excellent Integrated System Limited

Stocking Distributor

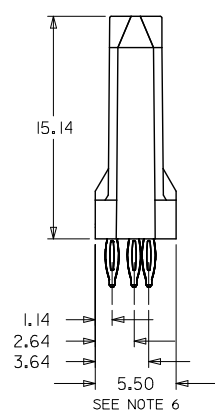
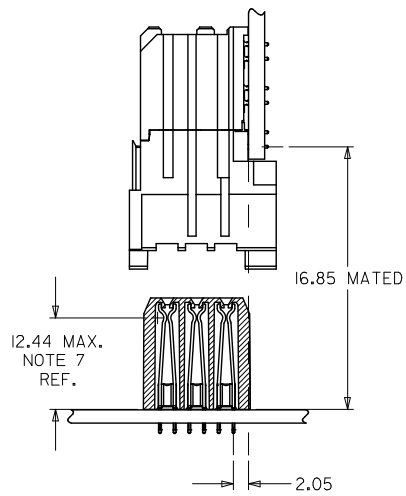
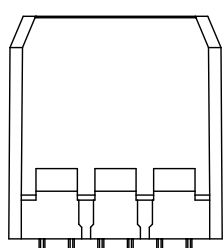
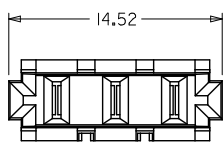
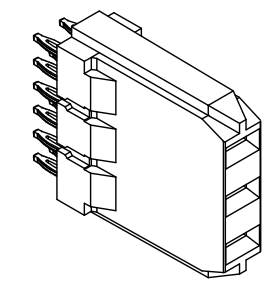
Click to view price, real time Inventory, Delivery & Lifecycle Information:

[Molex Connector Corporation](#)  
[0740298453](#)

For any questions, you can email us directly:

[sales@integrated-circuit.com](mailto:sales@integrated-circuit.com)

10 9 8 7 6 5 4 3 2 1



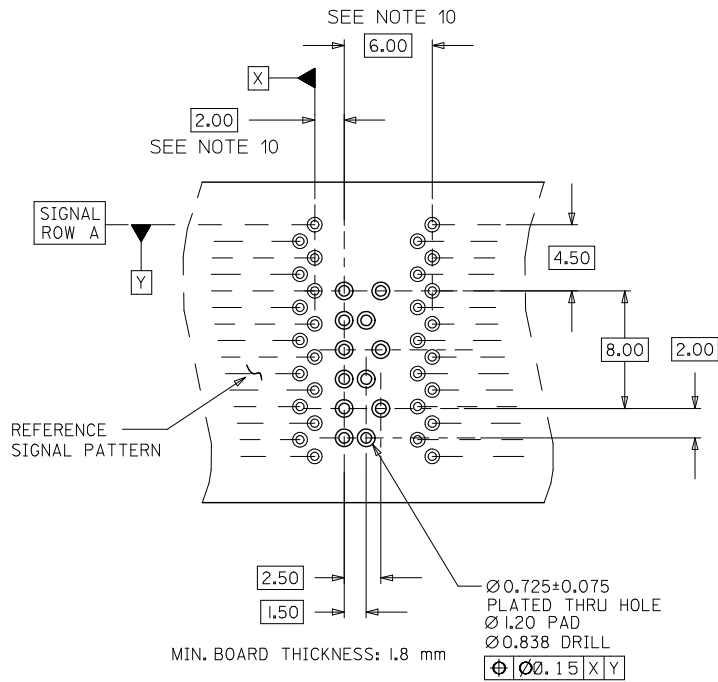
NOTES:

1. MATERIALS:
  - HOUSING - LIQUID CRYSTAL POLYMER (LCP)
  - UL94 V-0 RATED, COLOR: BLACK
  - TERMINAL - COPPER ALLOY
2. FINISH: 30 MICROINCH MINIMUM GOLD ON MATING SURFACE; MATTE TIN (Sn) ON TAILS; NICKEL OVERALL.
3. FINISH: 50 MICROINCH MINIMUM GOLD ON MATING SURFACE; MATTE TIN (Sn) ON TAILS; NICKEL OVERALL.
4. FINISH: 50 MICROINCH MINIMUM GOLD ON MATING SURFACE; TIN / LEAD (Sn/Pb) ON TAILS; NICKEL OVERALL.
5. THIS PART CONFORMS TO PRODUCT SPECIFICATION PS-74031-999.
6. USE 6.00 mm NOMINAL FOR BACKPLANE LAYOUT.
7. DIMENSION MEASURED FROM BOTTOM OF HOUSING.
8. PACKED PER PK-70873-0876.
9. CONTACT NOT PRESENT AT POSITION ON -84\*\* ASSEMBLIES.
10. THIS DIMENSION TO BE MULTIPLE OF 2.00 mm AS REQUIRED.

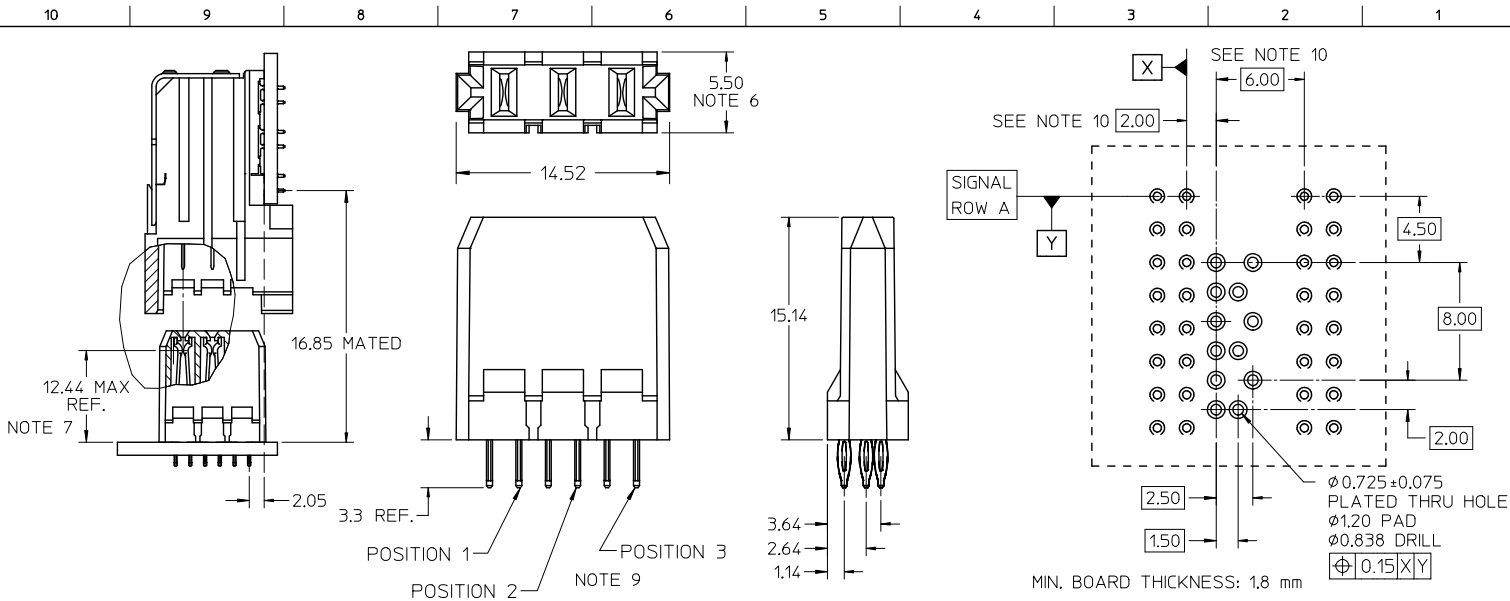
TIN / LEAD PLATING				MATTE TIN PLATING			
ASSEMBLY #	CONTACT PLATING	OPEN LOC.	# CONTACTS	ASSEMBLY #	CONTACT PLATING	OPEN LOC.	# CONTACTS
74029-8950	SEE NOTE 4	N/A	3	74029-8000	SEE NOTE 2	N/A	3
				74029-8050	SEE NOTE 3	N/A	
74029-8453	SEE NOTE 4	N/A	2	74029-8400	SEE NOTE 2	POS. 2	2
				74029-8450	SEE NOTE 3	POS. 2	
				74029-8401	SEE NOTE 2	POS. 1	
				74029-8451	SEE NOTE 3	POS. 1	
				74029-8403	SEE NOTE 2	POS. 3	
				74029-8453	SEE NOTE 3	POS. 3	

ADD LEADED P/N EC NO: UCP2013-0166 DRWNSVANG01 CHKDWOLFE APPR:SMILLER 2012/07/16 2012/07/16 2012/08/06	QUALITY SYMBOLS ∇=0 ∇=0 ∇=0	GENERAL TOLERANCES (UNLESS SPECIFIED)		DIMENSION STYLE MM ONLY		SCALE 4:1	DESIGN UNITS METRIC	THIRD ANGLE PROJECTION		
		4 PLACES ± --- ± ---	3 PLACES ± --- ± ---	2 PLACES ± 0.25 ± ---	1 PLACE ± 0.38 ± ---	0 PLACE ± ±	DRAWN BY TELO	DATE 98/10/19	VHDM 8 ROW POWER BACKPLANE SALES DRAWING <b>molex</b> SD-74029-002	
		ANGULAR ±1/2° DRAFT WHERE APPLICABLE MUST REMAIN WITHIN DIMENSIONS		MATERIAL NO. SEE TABLE		CHECKED BY DBREARLEY	DATE 98/10/21	APPROVED BY SMILLER		DATE 2012/01/20
				DOCUMENT NO. SD-74029-002				SHEET NO. 1 OF 2		
THIS DRAWING CONTAINS INFORMATION THAT IS PROPRIETARY TO MOLEX INCORPORATED AND SHOULD NOT BE USED WITHOUT WRITTEN PERMISSION										

10 9 8 7 6 5 4 3 2 1



SEE SHEET 1 EC NO: IJCP2013-0146 DRWNSVANG01 2012/07/16 CHKDRMOLFE 2012/07/16 APPRSMILLER 2012/08/06	QUALITY SYMBOLS	GENERAL TOLERANCES (UNLESS SPECIFIED)		DIMENSION STYLE MM ONLY		SCALE 4:1	DESIGN UNITS METRIC	THIRD ANGLE PROJECTION
	▽=0	4 PLACES	±	---	---	DRAWN BY TELO	DATE 98/10/19	TITLE VHDM 8 ROW POWER BACKPLANE SALES DRAWING
	▽=0	3 PLACES	±	---	---	CHECKED BY DBREARLEY	DATE 98/10/21	
	▽=0	2 PLACES	±	0.25	±	---	APPROVED BY SMILLER	DATE 2012/01/20
▽=0	1 PLACE	±	0.38	±	---	---		
		0 PLACE	±	---	---	MATERIAL NO.		
						ANGULAR ±1/2°		
						DRAFT WHERE APPLICABLE MUST REMAIN WITHIN DIMENSIONS		
						SEE TABLE		
						THIS DRAWING CONTAINS INFORMATION THAT IS PROPRIETARY TO MOLEX INCORPORATED AND SHOULD NOT BE USED WITHOUT WRITTEN PERMISSION		



- NOTES:
- MATERIALS:  
HOUSING - LIQUID CRYSTAL POLYMER (LCP)  
UL94 V-0 RATED, COLOR: BLACK  
TERMINAL - COPPER ALLOY
  - FINISH: 30 MICROINCHES MINIMUM GOLD ON MATING SURFACE;  
MATTE TIN (Sn) ON TAILS, NICKEL OVERALL.
  - FINISH: 50 MICROINCHES MINIMUM GOLD ON MATING SURFACE;  
MATTE TIN (Sn) ON TAILS, NICKEL OVERALL.
  - FINISH: 50 MICROINCHES MINIMUM GOLD ON MATING SURFACE;  
TIN / LEAD (Sn/Pb) ON TAILS, NICKEL OVERALL.
  - THIS PART CONFORMS TO PRODUCT SPECIFICATION  
PS-74031-999.
  - USE 6.00 mm NOMINAL FOR BACKPLANE LAYOUT.
  - DIMENSION MEASURED FROM BOTTOM OF HOUSING.
  - PACKED PER PK-70873-0876.
  - CONTACT NOT PRESENT AT POSITION ON -84\*\* ASSEMBLIES.
  - THIS DIMENSION TO BE MULTIPLE OF 2.00 mm AS REQUIRED.

TIN / LEAD PLATING				MATTE TIN PLATING			
ASSEMBLY #	CONTACT PLATING	OPEN LOC.	# CONTACTS	ASSEMBLY #	CONTACT PLATING	OPEN LOC.	# CONTACTS
74029-8950	SEE NOTE 4	N/A	3	74029-8000	SEE NOTE 2	N/A	3
				74029-8050	SEE NOTE 3	N/A	
				74029-8400	SEE NOTE 2	POS. 2	2
				74029-8450	SEE NOTE 3	POS. 2	
				74029-8401	SEE NOTE 2	POS. 1	
				74029-8451	SEE NOTE 3	POS. 1	
				74029-8403	SEE NOTE 2	POS. 3	
				74029-8453	SEE NOTE 3	POS. 3	

ADD LEADED P/N EC NO: IUCP2003-0046 2012/07/13 DRWNSVANG01 2012/07/13 CHKDRNOLPE 2012/08/06 APPR:SMILLER	QUALITY SYMBOLS $\nabla=0$ $\nabla=0$ $\nabla=0$	GENERAL TOLERANCES (UNLESS SPECIFIED)		DIMENSION STYLE		SCALE	DESIGN UNITS	THIRD ANGLE PROJECTION	
		(UNLESS SPECIFIED)		MM ONLY		4:1	METRIC	THIRD ANGLE PROJECTION	
		4 PLACES	$\pm$ ---	$\pm$ ---	DRAWN BY	DATE	TITLE		
		3 PLACES	$\pm$ ---	$\pm$ ---	ELO	2001/10/04	HSD 8 ROW POWER BACKPLANE SALES DRAWING		
2 PLACES	$\pm 0.25$	$\pm$ ---	CHECKED BY	DATE	molex				
1 PLACE	$\pm 0.38$	$\pm$ ---	GORSKI	2001/10/05	SD-74029-009				
0 PLACE	$\pm$	$\pm$	APPROVED BY	DATE	SHEET NO. 1 OF 1				
			BIXLER	2001/10/08	THIS DRAWING CONTAINS INFORMATION THAT IS PROPRIETARY TO MOLEX INCORPORATED AND SHOULD NOT BE USED WITHOUT WRITTEN PERMISSION				
		ANGULAR $\pm 5^\circ$	MATERIAL NO.	SEE TABLE					
		DRAFT WHERE APPLICABLE MUST REMAIN WITHIN DIMENSIONS	SIZE	B					