

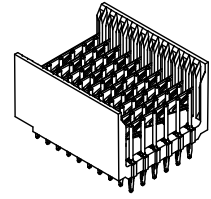
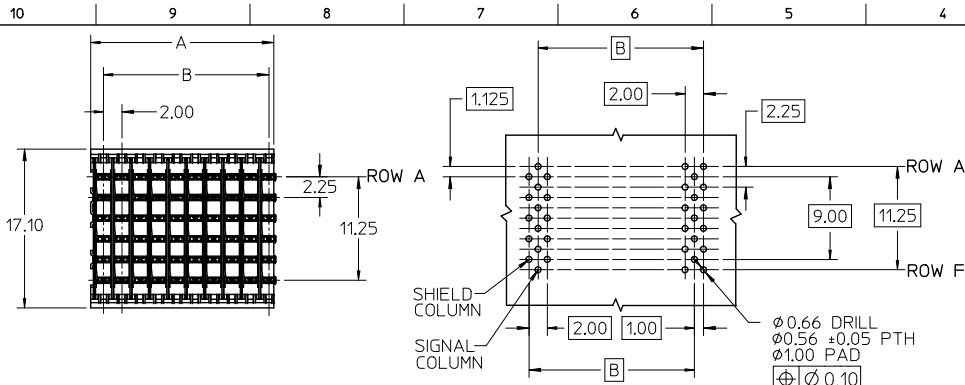
Excellent Integrated System Limited

Stocking Distributor

Click to view price, real time Inventory, Delivery & Lifecycle Information:

[Molex Connector Corporation](#)
[0740572601](#)

For any questions, you can email us directly:
sales@integrated-circuit.com

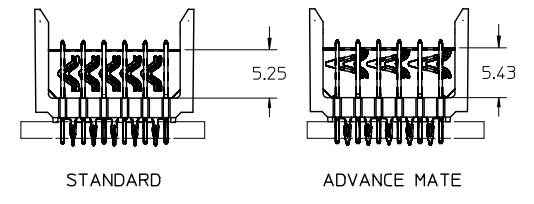
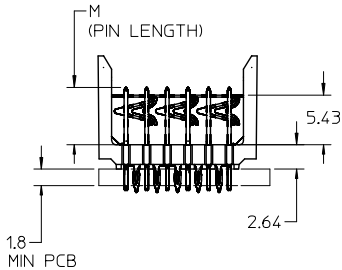
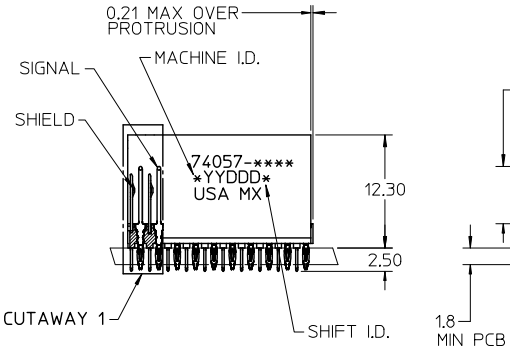


THE PRIMARY CARTON WITH A LABEL STATING "ELV AND RoHS COMPLIANT" IS LEAD FREE. CARTONS WITHOUT THIS LABEL MAY CONTAIN LEAD.

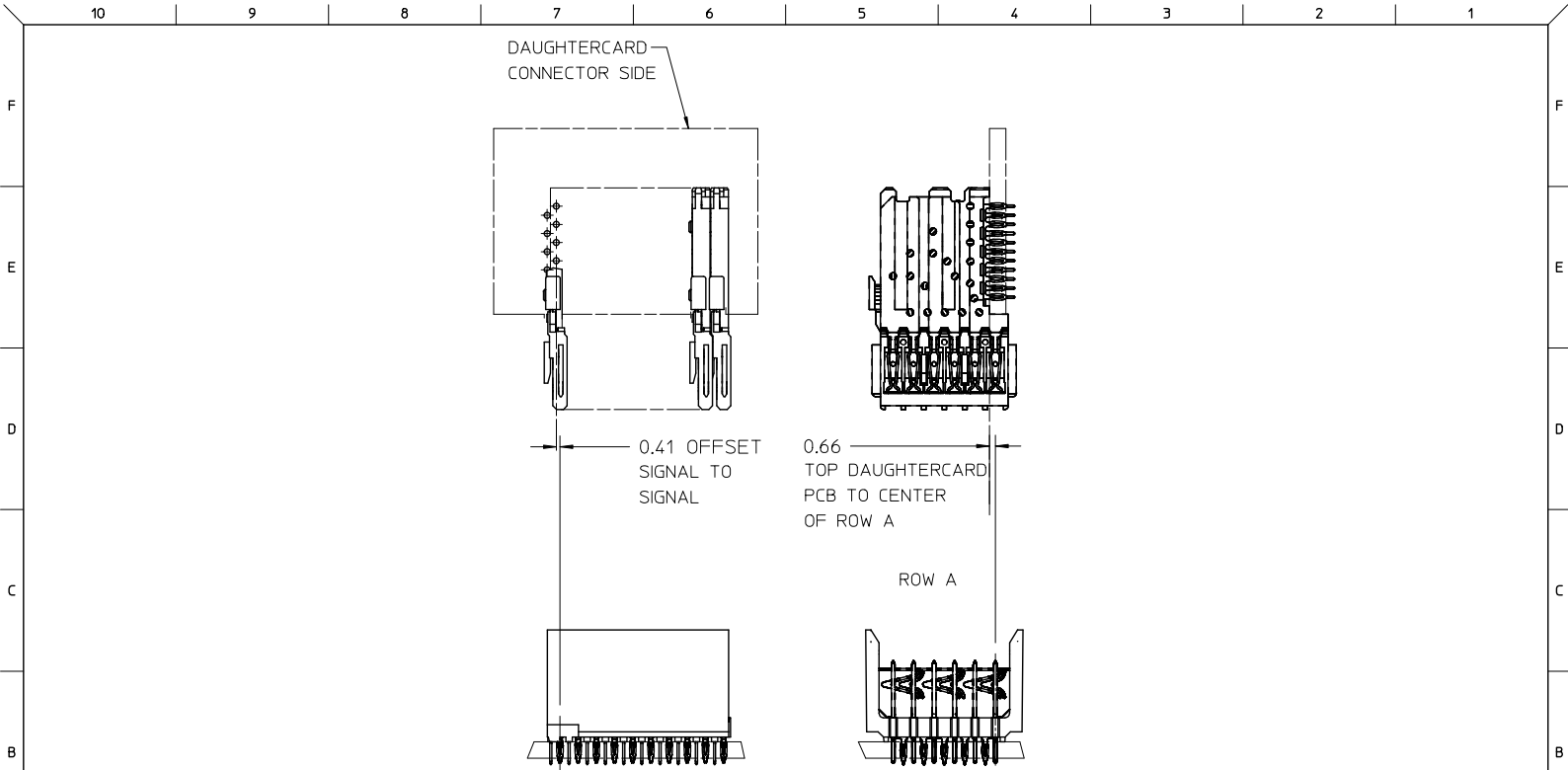
BACKPLANE HOLE PATTERN RECOMMENDED DIMENSION

NOTES:

1. MATERIAL: HOUSING -LIQUID CRYSTAL POLYMER (LCP), GLASS-FILLED, UL 94 V-0. COLOR BLACK. SIGNAL & SHIELD -COPPER ALLOY.
2. FINISHES:
CONTACT AREA: SELECTIVE GOLD (Au) 0.25 (MAPS), 0.76, OR 1.27 micrometer THICKNESS
PCB TAILS: SELECTIVE MATTE TIN (Sn) NICKEL (Ni) OVERALL.
3. THIS PART CONFORMS TO MOLEX PRODUCT SPECIFICATION PS-74031-999.
4. FOR MIXED CONTACT MATING LENGTHS CONSULT MOLEX FOR AVAILABILITY.
5. FOR SPECIFIC PART NUMBER AND MATING INFORMATION REFER TO SHEET 2.
6. PACKAGE PER: PK-74057-003.
7. EITHER MARK PART NUMBER AND DATE CODE APPROXIMATELY WHERE SHOWN OR PLACE LABEL ON THE TUBE.
8. MAPS (MOLEX ADVANCED PLATING SYSTEM).



LEAD FREE CONVERSION EC NO: LCP2013-0687 DRAWN BY: MOWANG 2007/11/19 CHECKED BY: JLAURX 2007/11/19 APPROVED BY: CBI XLER 2007/12/14 REV:	QUALITY SYMBOLS ▽=0 ▽=0 ▽=0	GENERAL TOLERANCES (UNLESS SPECIFIED)		DIMENSION STYLE MM ONLY		SCALE 2.5:1	DESIGN UNITS METRIC	THIRD ANGLE PROJECTION
		4 PLACES ± --- ± --- 3 PLACES ± --- ± --- 2 PLACES ± 0.25 ± --- 1 PLACE ± 0.38 ± --- 0 PLACE ± ±	mm INCH	DRAWN BY: MOWANG CHECKED BY: JLAURX APPROVED BY: CBI XLER	DATE: 2001/08/20 DATE: 2001/08/22 DATE: 2001/08/22	TITLE VHDM 6 ROW ADVANCE MATE OPEN END BACKPLANE SALES DRAWING		SHEET NO. 1 OF 3
ANGULAR ±1/2° DRAFT WHERE APPLICABLE MUST REMAIN WITHIN DIMENSIONS		MATERIAL NO. SEE TABLE		DOCUMENT NO. SD-74057-003		THIS DRAWING CONTAINS INFORMATION THAT IS PROPRIETARY TO MOLEX INCORPORATED AND SHOULD NOT BE USED WITHOUT WRITTEN PERMISSION		



SEE SHEET 1 EC NO: UCP2013-0687 DRAWN BY: MOWANG CHECKED BY: JLAURX APPROVED BY: CBI XLER DATE: 2012/11/19 DATE: 2012/11/19 DATE: 2012/12/14	QUALITY SYMBOLS	GENERAL TOLERANCES (UNLESS SPECIFIED)	DIMENSION STYLE	SCALE	DESIGN UNITS	THIRD ANGLE PROJECTION																		
	$\nabla=0$ $\nabla=0$ $\nabla=0$	<table border="1"> <thead> <tr> <th></th> <th>mm</th> <th>INCH</th> </tr> </thead> <tbody> <tr> <td>4 PLACES</td> <td>± .---</td> <td>± .---</td> </tr> <tr> <td>3 PLACES</td> <td>± .---</td> <td>± .---</td> </tr> <tr> <td>2 PLACES</td> <td>± 0.25</td> <td>± .---</td> </tr> <tr> <td>1 PLACE</td> <td>± 0.38</td> <td>± .---</td> </tr> <tr> <td>0 PLACE</td> <td>±</td> <td>±</td> </tr> </tbody> </table>		mm	INCH	4 PLACES	± .---	± .---	3 PLACES	± .---	± .---	2 PLACES	± 0.25	± .---	1 PLACE	± 0.38	± .---	0 PLACE	±	±	MM ONLY	2.5:1	METRIC	DRAWN BY: MOWANG DATE: 2011/08/20 CHECKED BY: JLAURX DATE: 2011/08/22 APPROVED BY: CBI XLER DATE: 2011/08/22 MATERIAL NO. SEE TABLE DOCUMENT NO. SD-74057-003
		mm	INCH																					
	4 PLACES	± .---	± .---																					
3 PLACES	± .---	± .---																						
2 PLACES	± 0.25	± .---																						
1 PLACE	± 0.38	± .---																						
0 PLACE	±	±																						
ANGULAR ±1/2° DRAFT WHERE APPLICABLE MUST REMAIN WITHIN DIMENSIONS	TITLE: VHDM 6 ROW ADVANCE MATE OPEN END BACKPLANE SALES DRAWING SHEET NO. 2 OF 3																							
SIZE B THIS DRAWING CONTAINS INFORMATION THAT IS PROPRIETARY TO MOLEX INCORPORATED AND SHOULD NOT BE USED WITHOUT WRITTEN PERMISSION																								

10 9 8 7 6 5 4 3 2 1

PART NUMBER	COLUMN	NUMBER OF SIGNAL PIN	NUMBER OF SHIELD	A	B	M	GOLD THICKNESS MICROMETER	TIN THICKNESS MICROMETER
74057-6101	10	60	10	20.00	18.00	4.75	0.25 MAPS	0.76-1.52
74057-*101							0.76	
74057-*106							1.27	
74057-7601	25	150	25	50.00	48.00	4.75	0.25 MAPS	
74057-*601							0.76	
74057-*606							1.27	
74057-6102	10	60	10	20.00	18.00	6.25	0.25 MAPS	
74057-*102							0.76	
74057-*107							1.27	
74057-7602	25	150	25	50.00	48.00	6.25	0.25 MAPS	
74057-*602							0.76	
74057-*607							1.27	
74057-6103	10	60	10	20.00	18.00	4.25	0.25 MAPS	
74057-*103							0.76	
74057-*108							1.27	
74057-7603	25	150	25	50.00	48.00	4.25	0.25 MAPS	
74057-*603							0.76	
74057-*608							1.27	
74057-6104	10	60	10	20.00	18.00	5.15	0.25 MAPS	
74057-*104							0.76	
74057-*109							1.27	
74057-7604	25	150	25	50.00	48.00	5.15	0.25 MAPS	
74057-*604							0.76	
74057-*609							1.27	

MATERIAL NUMBER ASSIGNMENT

74057-*x0*

SEE TABLE

NUMBER OF COLUMNS/PLATING

- 11 = 10 COLUMN MATTE TIN (FORMERLY TIN/LEAD)
- 26 = 25 COLUMN MATTE TIN (FORMERLY TIN/LEAD)
- 61 = 10 COLUMN MATTE TIN (MAPS)
- 76 = 25 COLUMN MATTE TIN (MAPS)
- 91 = 10 COLUMN MATTE TIN
- 86 = 25 COLUMN MATTE TIN

SEE SHEET 1 EC NO: UCP2013-0687 DRAWN BY: T. DRINAWIPPLE 2012/11/19 CHECKED BY: CHKOMOLEE 2012/11/19 APPROVED BY: APPRESMILLER 2012/12/14 REV	QUALITY SYMBOLS	GENERAL TOLERANCES (UNLESS SPECIFIED)	DIMENSION STYLE	SCALE	DESIGN UNITS	THIRD ANGLE PROJECTION
	$\nabla=0$ $\nabla=0$ $\nabla=0$	mm INCH 4 PLACES ± --- ± --- 3 PLACES ± --- ± --- 2 PLACES ± 0.25 ± --- 1 PLACE ± 0.38 ± --- 0 PLACE ± ±	MM ONLY	1:1	METRIC	THIRD ANGLE PROJECTION VHM 6 ROW ADVANCE MATE OPEN END BACKPLANE SALES DRAWING molex SD-74057-003 3 OF 3
	ANGULAR ±1/2° DRAFT WHERE APPLICABLE MUST REMAIN WITHIN DIMENSIONS	DRAWN BY: MOWANG 2001/08/20 CHECKED BY: JLAURX 2001/08/22 APPROVED BY: CBI XLER 2001/08/22	MATERIAL NO. SEE TABLE	DOCUMENT NO. SD-74057-003	SHEET NO. 3 OF 3	
	THIS DRAWING CONTAINS INFORMATION THAT IS PROPRIETARY TO MOLEX INCORPORATED AND SHOULD NOT BE USED WITHOUT WRITTEN PERMISSION					

9 8 7 6 5 4 3 2 1