

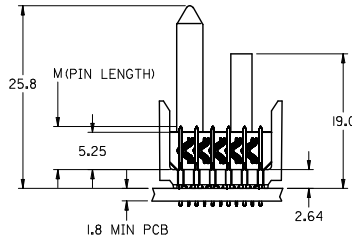
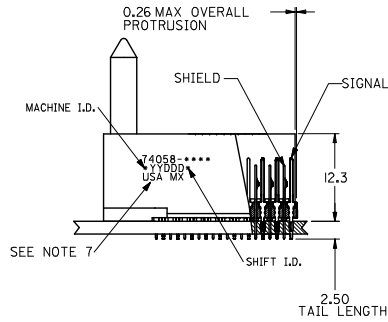
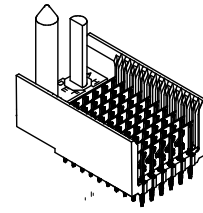
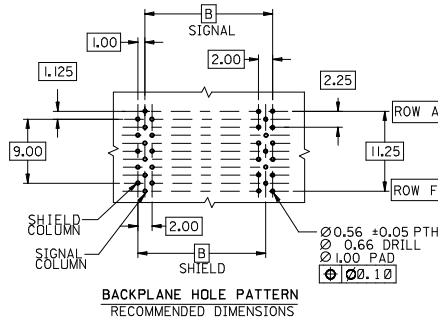
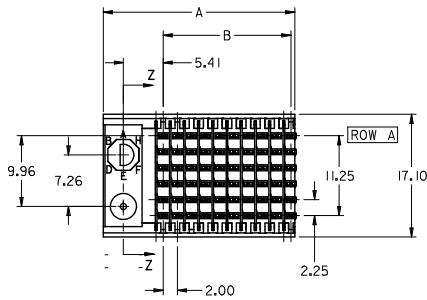
## **Excellent Integrated System Limited**

Stocking Distributor

Click to view price, real time Inventory, Delivery & Lifecycle Information:

[Molex Connector Corporation](#)  
[0740582532](#)

For any questions, you can email us directly:  
[sales@integrated-circuit.com](mailto:sales@integrated-circuit.com)

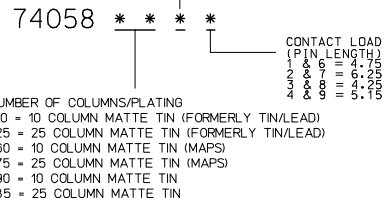
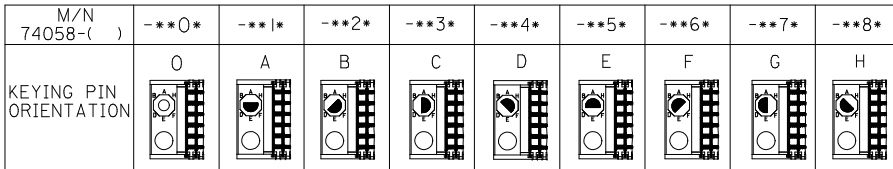


**NOTES:**

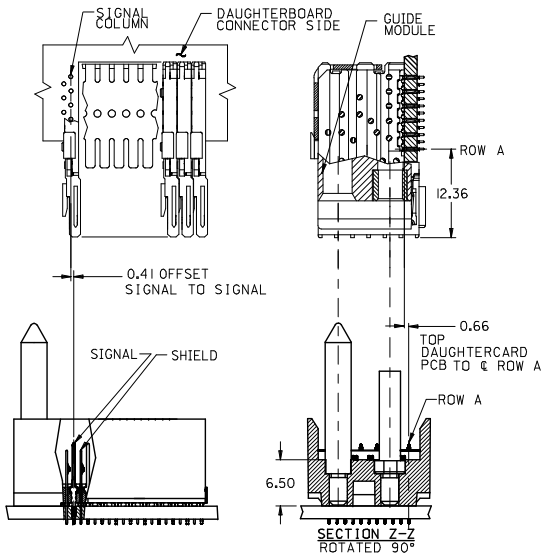
1. MATERIALS:  
HOUSING - LIQUID CRYSTAL POLYMER (LCP),  
GLASS-FILLED, UL 94V-0, COLOR: BLACK  
SIGNAL PIN & SHIELD - COPPER ALLOY
2. FINISHES:  
CONTACT AREA: SELECTIVE GOLD (Au)  
PCB TAILS: SELECTIVE MATTE TIN (Sn)  
NICKEL (Ni) OVERALL.
3. THIS PART CONFORMS TO MOLEX PRODUCT  
SPECIFICATION PS-74031-999
4. FOR MIXED CONTACT LENGTHS CONSULT  
MOLEX FOR AVAILABILITY
5. FOR SPECIFIC MATERIAL NUMBERS & MATING  
INFORMATION REFER TO SHEET 2
6. PACKAGE PER PK-74058-003
7. MARK PART WITH PART NUMBER & DATE  
CODE APPROXIMATELY WHERE SHOWN
8. MAPS (MOLEX ADVANCED PLATING SYSTEM).

THE PRIMARY CARTON WITH A LABEL STATING  
"ELV AND RoHS COMPLAINT" IS LEAD FREE.  
CARTONS WITHOUT THIS LABEL MAY CONTAIN LEAD.

<b>LEAD FREE CONVERSION</b> EC NO: UCP2015-0687 DRAWING: 2012/08/21 CHK: KIMOLFE 2012/11/28 APPR: SMILLER 2012/12/14	QUALITY SYMBOLS ∇=0 ∇=0 ∇=0	GENERAL TOLERANCES (UNLESS SPECIFIED)		DIMENSION STYLE <b>MM ONLY</b>		SCALE 2.5:1	DESIGN UNITS METRIC	THIRD ANGLE PROJECTION	
		4 PLACES ± --- ± ---	3 PLACES ± --- ± ---	2 PLACES ± --- ± ---	1 PLACE ± --- ± ---	0 PLACE ± --- ± ---	DRAWN BY JMELTON	DATE 2010/05/19	TITLE <b>VHDM 6 ROW SIGNAL END BACKPLANE SALES ASSEMBLY</b>  <b>molex</b>
		ANGULAR ±1/2°					CHECKED BY SDANNELLEY	DATE 2010/05/19	
		DRAFT WHERE APPLICABLE MUST REMAIN WITHIN DIMENSIONS					APPROVED BY SMILLER	DATE 2010/07/14	
MATERIAL NO. <b>SEE SHEET 2</b>					DOCUMENT NO. SD-74058-002		SHEET NO. 1 OF 2		



PART NUMBER	COLUMN	NUMBER OF SIGNAL PIN	NUMBER OF SHIELD	A	B	M	GOLD THICKNESS MICROMETER	TIN THICKNESS MICROMETER
74058-60*1	10	60	10	27.00	18.00	4.75	0.25 MAPS	0.76-152
74058-x0*6							0.76	
74058-75*1							1.27	
74058-x5*1	25	150	25	57.00	48.00	6.25	0.25 MAPS	
74058-x5*6							0.76	
74058-60*2							1.27	
74058-x0*2	10	60	10	27.00	18.00	4.25	0.25 MAPS	
74058-x0*7							0.76	
74058-75*2							1.27	
74058-x5*2	25	150	25	57.00	48.00	6.25	0.25 MAPS	
74058-x5*7							0.76	
74058-60*3							1.27	
74058-x0*3	10	60	10	27.00	18.00	4.25	0.25 MAPS	
74058-x0*8							0.76	
74058-75*3							1.27	
74058-x5*3	25	150	25	57.00	48.00	6.25	0.25 MAPS	
74058-x5*8							0.76	
74058-60*4							1.27	
74058-x0*4	10	60	10	27.00	18.00	5.15	0.25 MAPS	
74058-x0*9							0.76	
74058-75*4							1.27	
74058-x5*4	25	150	25	57.00	48.00	6.25	0.25 MAPS	
74058-x5*9							0.76	
74058-x5*9							1.27	



SEE SHEET 1 IEC NO: UCP/2013-0687 DRAWINGS: 2017/08/21 CHKD: DMOLFE 2017/11/26 APPR: SMILLER 2017/12/14	QUALITY SYMBOLS 	GENERAL TOLERANCES (UNLESS SPECIFIED)		DIMENSION STYLE		SCALE	DESIGN UNITS	THIRD ANGLE PROJECTION	
		mm INCH		MM ONLY		2.5:1	METRIC	THIRD ANGLE PROJECTION	
		4 PLACES ±	±	DRAWN BY	DATE	TITLE			
		3 PLACES ±	±	JMELTON	2010/05/19	VHDM 6 ROW SIGNAL END BACKPLANE SALES ASSEMBLY			
2 PLACES ±	±	CHECKED BY	DATE						
1 PLACE ±	±	SDANNELLEY	2010/05/19						
0 PLACE ±	±	APPROVED BY	DATE	MATERIAL NO.	DOCUMENT NO.	SHEET NO.			
		SMILLER	2010/07/14	SEE TABLE	SD-74058-002	2 OF 2			
ANGULAR ±1/2°		DRAFT WHERE APPLICABLE MUST REMAIN WITHIN DIMENSIONS							
SIZE C		THIS DRAWING CONTAINS INFORMATION THAT IS PROPRIETARY TO MOLEX INCORPORATED AND SHOULD NOT BE USED WITHOUT WRITTEN PERMISSION							