

Excellent Integrated System Limited

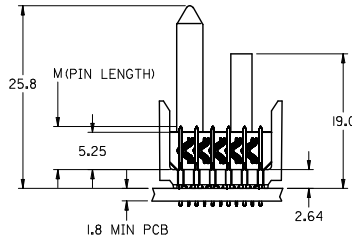
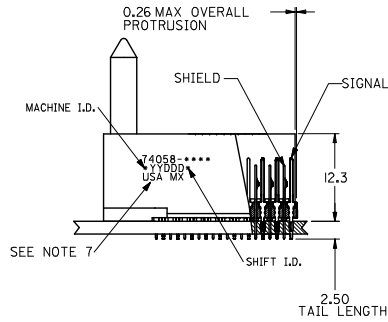
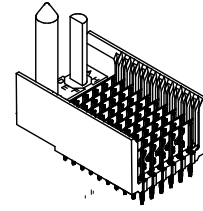
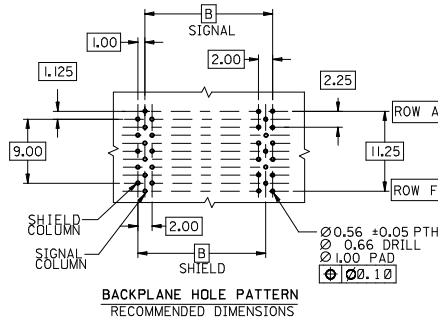
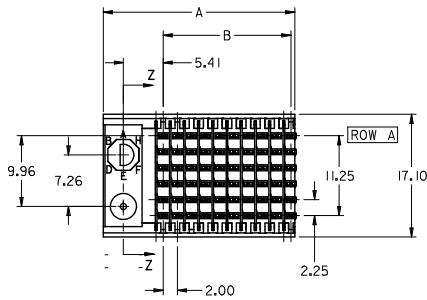
Stocking Distributor

Click to view price, real time Inventory, Delivery & Lifecycle Information:

[Molex Connector Corporation](#)
[0740582552](#)

For any questions, you can email us directly:

sales@integrated-circuit.com

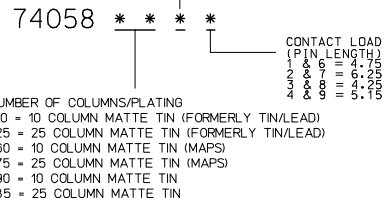
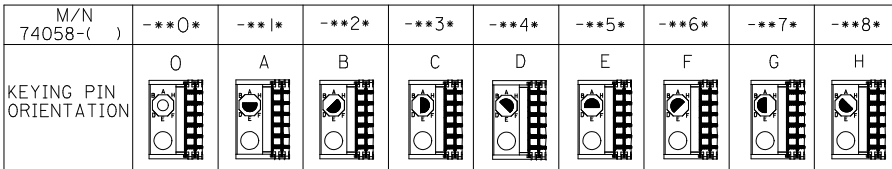


NOTES:

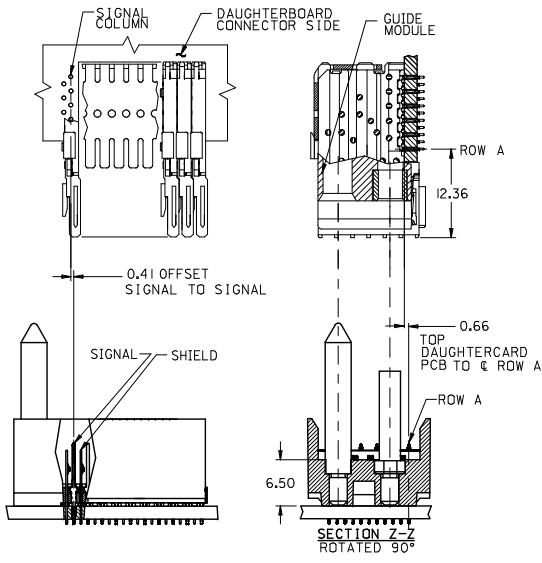
1. MATERIALS:
HOUSING - LIQUID CRYSTAL POLYMER (LCP),
GLASS-FILLED, UL 94V-0, COLOR: BLACK
SIGNAL PIN & SHIELD - COPPER ALLOY
2. FINISHES:
CONTACT AREA: SELECTIVE GOLD (Au)
PCB TAILS: SELECTIVE MATTE TIN (Sn)
NICKEL (Ni) OVERALL.
3. THIS PART CONFORMS TO MOLEX PRODUCT SPECIFICATION PS-74031-999
4. FOR MIXED CONTACT LENGTHS CONSULT MOLEX FOR AVAILABILITY
5. FOR SPECIFIC MATERIAL NUMBERS & MATING INFORMATION REFER TO SHEET 2
6. PACKAGE PER PK-74058-003
7. MARK PART WITH PART NUMBER & DATE CODE APPROXIMATELY WHERE SHOWN
8. MAPS (MOLEX ADVANCED PLATING SYSTEM).

THE PRIMARY CARTON WITH A LABEL STATING "ELV AND RoHS COMPLAINT" IS LEAD FREE. CARTONS WITHOUT THIS LABEL MAY CONTAIN LEAD.

LEAD FREE CONVERSION EC NO: UCP2015-0687 DRAWING: 2012/08/21 CHK: KIMILFE 2012/11/28 APPR: SMILLER 2012/12/14	QUALITY SYMBOLS ∇=0 ∇=0 ∇=0	GENERAL TOLERANCES (UNLESS SPECIFIED)		DIMENSION STYLE MM ONLY		SCALE 2.5:1	DESIGN UNITS METRIC	THIRD ANGLE PROJECTION	
		4 PLACES ± --- ± --- 3 PLACES ± --- ± --- 2 PLACES ± --- ± --- 1 PLACE ± --- ± --- 0 PLACE ± --- ± ---	mm INCH	DRAWN BY JMELTON	DATE 2010/05/19	TITLE VHDM 6 ROW SIGNAL END BACKPLANE SALES ASSEMBLY			
		ANGULAR ±1/2°		CHECKED BY SDANNELLEY	DATE 2010/05/19	molex DOCUMENT NO. SD-74058-002 SHEET NO. 1 OF 2			
		DRAFT WHERE APPLICABLE MUST REMAIN WITHIN DIMENSIONS		APPROVED BY SMILLER	DATE 2010/07/14				



PART NUMBER	COLUMN	NUMBER OF SIGNAL PIN	NUMBER OF SHIELD	A	B	M	GOLD THICKNESS MICROMETER	TIN THICKNESS MICROMETER
74058-60*1	10	60	10	27.00	18.00	4.75	0.25 MAPS	0.76-152
74058-x0*1							0.76	
74058-x0*6							1.27	
74058-75*1	25	150	25	57.00	48.00	6.25	0.25 MAPS	
74058-x5*1							0.76	
74058-x5*6							1.27	
74058-60*2	10	60	10	27.00	18.00	6.25	0.25 MAPS	
74058-x0*2							0.76	
74058-x0*7							1.27	
74058-75*2	25	150	25	57.00	48.00	4.25	0.25 MAPS	
74058-x5*2							0.76	
74058-x5*7							1.27	
74058-60*3	10	60	10	27.00	18.00	4.25	0.25 MAPS	
74058-x0*3							0.76	
74058-x0*8							1.27	
74058-75*3	25	150	25	57.00	48.00	5.15	0.25 MAPS	
74058-x5*3							0.76	
74058-x5*8							1.27	
74058-60*4	10	60	10	27.00	18.00	5.15	0.25 MAPS	
74058-x0*4							0.76	
74058-x0*9							1.27	
74058-75*4	25	150	25	57.00	48.00	5.15	0.25 MAPS	
74058-x5*4							0.76	
74058-x5*9							1.27	



SEE SHEET 1 IEC NO: UCP/2013-0687 DRAWINGS: 2017/08/21 CHKD: DMOLFE 2017/11/26 APPR: SMILLER 2017/12/14 M REV	QUALITY SYMBOLS 	GENERAL TOLERANCES (UNLESS SPECIFIED)		DIMENSION STYLE		SCALE	DESIGN UNITS	THIRD ANGLE PROJECTION	
				MM ONLY		2.5:1	METRIC		
		4 PLACES ±	3 PLACES ±	2 PLACES ±	1 PLACE ±	0 PLACE ±	DRAWN BY: JMELTON DATE: 2010/05/19		VHDM 6 ROW SIGNAL END BACKPLANE SALES ASSEMBLY
		DRAFT WHERE APPLICABLE MUST REMAIN WITHIN DIMENSIONS		SEE TABLE		APPROVED BY: SDANNELLEY DATE: 2010/05/19		MATERIAL NO. DOCUMENT NO. SD-74058-002	
				MATERIAL NO. DATE: 2010/07/14		SHEET NO. 2 OF 2			