

## **Excellent Integrated System Limited**

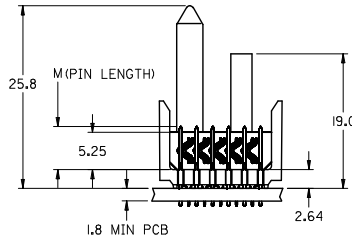
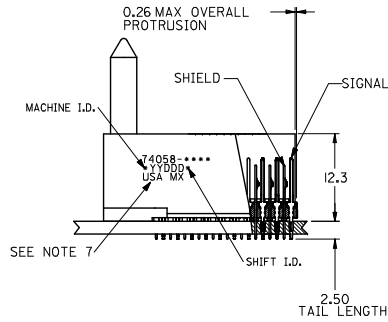
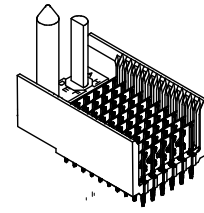
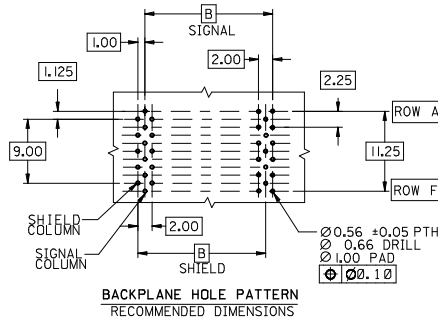
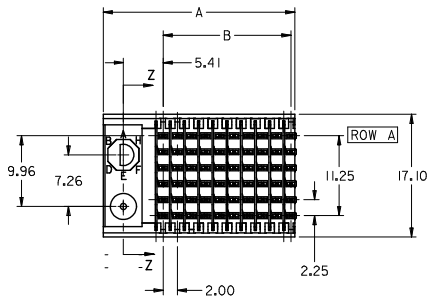
Stocking Distributor

Click to view price, real time Inventory, Delivery & Lifecycle Information:

[Molex Connector Corporation](#)  
[0740588501](#)

For any questions, you can email us directly:

[sales@integrated-circuit.com](mailto:sales@integrated-circuit.com)



**NOTES:**

1. MATERIALS:  
HOUSING - LIQUID CRYSTAL POLYMER (LCP),  
GLASS-FILLED, UL 94V-0, COLOR: BLACK  
SIGNAL PIN & SHIELD - COPPER ALLOY
2. FINISHES:  
CONTACT AREA: SELECTIVE GOLD (Au)  
PCB TAILS: SELECTIVE MATTE TIN (Sn)  
NICKEL (Ni) OVERALL.
3. THIS PART CONFORMS TO MOLEX PRODUCT SPECIFICATION PS-74031-999
4. FOR MIXED CONTACT LENGTHS CONSULT MOLEX FOR AVAILABILITY
5. FOR SPECIFIC MATERIAL NUMBERS & MATING INFORMATION REFER TO SHEET 2
6. PACKAGE PER PK-74058-003
7. MARK PART WITH PART NUMBER & DATE CODE APPROXIMATELY WHERE SHOWN
8. MAPS (MOLEX ADVANCED PLATING SYSTEM).

THE PRIMARY CARTON WITH A LABEL STATING "ELV AND RoHS COMPLAINT" IS LEAD FREE. CARTONS WITHOUT THIS LABEL MAY CONTAIN LEAD.

<b>LEAD FREE CONVERSION</b> EC NO: UCP2015-0687 DRAWING NO: 2012/08/21 CHKORWILFE 2012/11/28 APPR:SMILLER 2012/12/14	<b>QUALITY SYMBOLS</b> ∇=0 ∇=0 ∇=0	<b>GENERAL TOLERANCES (UNLESS SPECIFIED)</b>		<b>DIMENSION STYLE</b> MM ONLY		SCALE 2.5:1	DESIGN UNITS METRIC	THIRD ANGLE PROJECTION	
		4 PLACES ± --- ± ---	3 PLACES ± --- ± ---	2 PLACES ± --- ± ---	1 PLACE ± --- ± ---	0 PLACE ± --- ± ---	DRAWN BY JMELTON	DATE 2010/05/19	TITLE VHDM 6 ROW SIGNAL END BACKPLANE SALES ASSEMBLY <b>molex</b>
		ANGULAR ±1/2°					CHECKED BY SDANNELLEY	DATE 2010/05/19	
		DRAFT WHERE APPLICABLE MUST REMAIN WITHIN DIMENSIONS					APPROVED BY SMILLER	DATE 2010/07/14	
MATERIAL NO. SEE SHEET 2					DOCUMENT NO. SD-74058-002		SHEET NO. 1 OF 2		

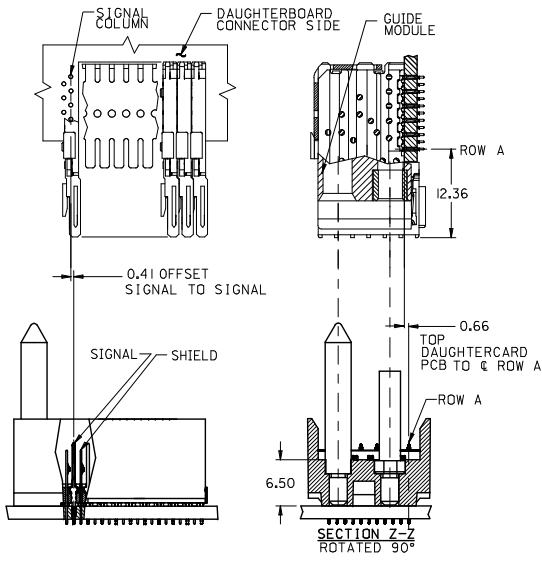
M/N 74058-( )	-**0*	-**1*	-**2*	-**3*	-**4*	-**5*	-**6*	-**7*	-**8*
KEYING PIN ORIENTATION									

74058 \* \* \* \*

CONTACT LOAD (PIN LENGTH)  
 1 = 4.75  
 2 = 6.25  
 3 = 7.75  
 4 = 9.25  
 5 = 10.75

NUMBER OF COLUMNS/PLATING  
 10 = 10 COLUMN MATTE TIN (FORMERLY TIN/LEAD)  
 25 = 25 COLUMN MATTE TIN (FORMERLY TIN/LEAD)  
 60 = 10 COLUMN MATTE TIN (MAPS)  
 75 = 25 COLUMN MATTE TIN (MAPS)  
 90 = 10 COLUMN MATTE TIN  
 85 = 25 COLUMN MATTE TIN

PART NUMBER	COLUMN	NUMBER OF SIGNAL PIN	NUMBER OF SHIELD	A	B	M	GOLD THICKNESS MICROMETER	TIN THICKNESS MICROMETER
74058-60*1	10	60	10	27.00	18.00	4.75	0.25 MAPS	0.76-152
74058-x0*6							0.76	
74058-75*1							1.27	
74058-x5*1	25	150	25	57.00	48.00	6.25	0.25 MAPS	
74058-x5*6							0.76	
74058-60*2							1.27	
74058-x0*2	10	60	10	27.00	18.00	4.25	0.25 MAPS	
74058-x0*7							0.76	
74058-75*2							1.27	
74058-x5*2	25	150	25	57.00	48.00	5.15	0.25 MAPS	
74058-x5*7							0.76	
74058-60*3							1.27	
74058-x0*3	10	60	10	27.00	18.00	4.25	0.25 MAPS	
74058-x0*8							0.76	
74058-75*3							1.27	
74058-x5*3	25	150	25	57.00	48.00	4.25	0.25 MAPS	
74058-x5*8							0.76	
74058-60*4							1.27	
74058-x0*4	10	60	10	27.00	18.00	5.15	0.25 MAPS	
74058-x0*9							0.76	
74058-75*4							1.27	
74058-x5*4	25	150	25	57.00	48.00	5.15	0.25 MAPS	
74058-x5*4							0.76	
74058-x5*9							1.27	



SEE SHEET 1 IEC NO: UCP/2013-0687 DRAWINGS: 2017/08/21 CHKD: DMOLFE 2017/11/26 APPR: SMILLER 2017/12/14	QUALITY SYMBOLS 	GENERAL TOLERANCES (UNLESS SPECIFIED) mm INCH	DIMENSION STYLE MM ONLY	SCALE 2.5:1	DESIGN UNITS METRIC	THIRD ANGLE PROJECTION	
		4 PLACES ± --- ± --- 3 PLACES ± --- ± --- 2 PLACES ± --- ± --- 1 PLACE ± --- ± --- 0 PLACE ± --- ± ---	DRAWN BY: JMELTON DATE: 2010/05/19 CHECKED BY: SDANNELLEY DATE: 2010/05/19 APPROVED BY: SMILLER DATE: 2010/07/14	TITLE VHDM 6 ROW SIGNAL END BACKPLANE SALES ASSEMBLY	MATERIAL NO. SEE TABLE	DOCUMENT NO. SD-74058-002	SHEET NO. 2 OF 2
		ANGULAR ±1/2° DRAFT WHERE APPLICABLE MUST REMAIN WITHIN DIMENSIONS	THIS DRAWING CONTAINS INFORMATION THAT IS PROPRIETARY TO MOLEX INCORPORATED AND SHOULD NOT BE USED WITHOUT WRITTEN PERMISSION				
		SIZE C					