

Excellent Integrated System Limited

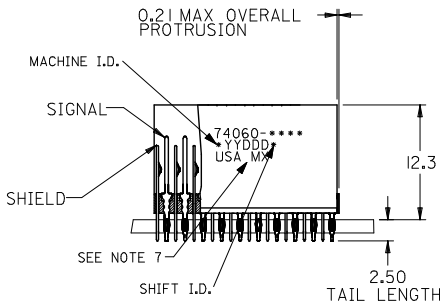
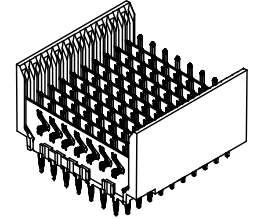
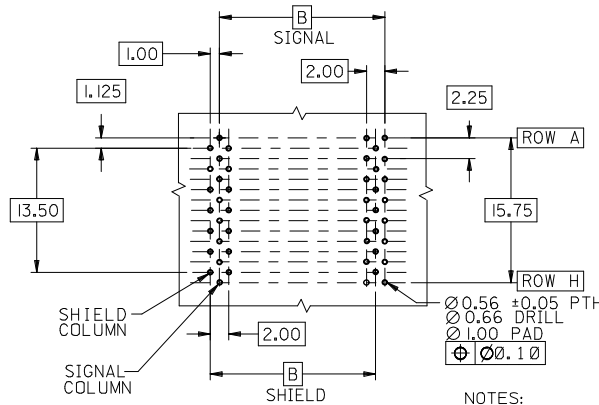
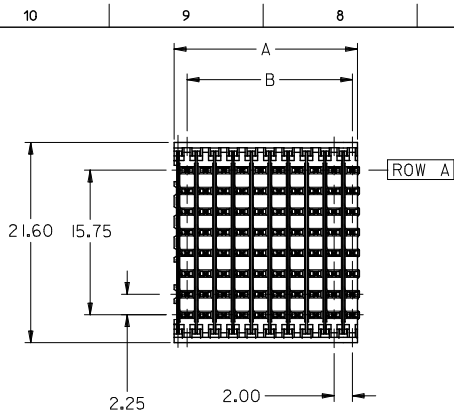
Stocking Distributor

Click to view price, real time Inventory, Delivery & Lifecycle Information:

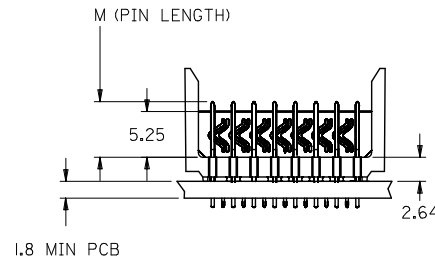
[Molex Connector Corporation](#)
[0740602503](#)

For any questions, you can email us directly:

sales@integrated-circuit.com



BACKPLANE HOLE PATTERN
RECOMMENDED DIMENSION



NOTES:

- MATERIALS:**
HOUSING - LIQUID CRYSTAL POLYMER (LCP),
GLASS-FILLED, UL 94V-0, COLOR: BLACK
SIGNAL PIN & SHIELD - COPPER ALLOY
- FINISHES:**
CONTACT AREA: SELECTIVE GOLD (Au)
PCB TAILS: SELECTIVE MATTE TIN (Sn)
NICKEL (Ni) OVERALL.
- THIS PART CONFORMS TO MOLEX PRODUCT SPECIFICATION PS-74031-999
- FOR MIXED CONTACT LENGTHS CONSULT MOLEX FOR AVAILABILITY
- FOR SPECIFIC MATERIAL NUMBERS & MATING INFORMATION REFER TO SHEET 2
- PACKAGE PER PK-74060-003
- EITHER MARK PART WITH PART NUMBER & DATE CODE APPROXIMATELY WHERE SHOWN OR PLACE LABEL ON THE TUBE.
- MAPS (MOLEX ADVANCED PLATING SYSTEM)

REV.	REV. ASSIGNMENT TABLE	QUALITY SYMBOLS	GENERAL TOLERANCES (UNLESS SPECIFIED)		DIMENSION STYLE MM ONLY	SCALE 2.5:1	DESIGN UNITS METRIC	THIRD ANGLE PROJECTION
			mm	INCH				
M	EC NO: UCP2014-3396 DR: WANG CHK: WOLFE APPR: MILLER DATE: 2014/02/14 DATE: 2014/02/14 DATE: 2014/02/14	$\nabla=0$ $\nabla=0$ $\nabla=0$	4 PLACES ± --- ± --- 3 PLACES ± --- ± --- 2 PLACES ± 0.25 ± --- 1 PLACE ± 0.38 ± --- 0 PLACE ± --- ± ---	DRAWN BY: MWANG DATE: 1998/11/09 CHECKED BY: JLAURX DATE: 1998/11/09 APPROVED BY: SMILLER DATE: 2012/09/07	TITLE: VHDM 8 ROW OPEN END BACKPLANE SALES ASSEMBLY MATERIAL NO.: SEE SHT.2 DOCUMENT NO.: SD-74060-002	SHEET NO.: 1 OF 2		
ANGLE ± 1/2° DRAFT WHERE APPLICABLE MUST REMAIN WITHIN DIMENSIONS THIS DRAWING CONTAINS INFORMATION THAT IS PROPRIETARY TO MOLEX INCORPORATED AND SHOULD NOT BE USED WITHOUT WRITTEN PERMISSION								

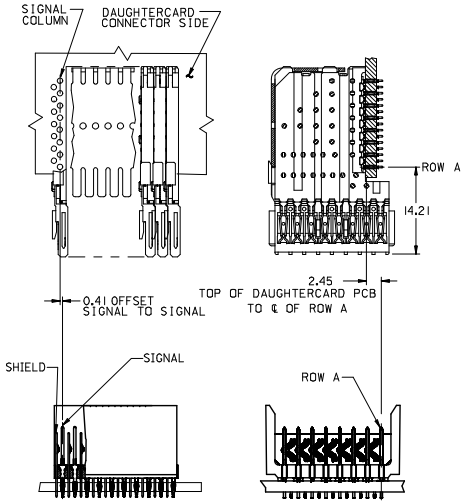
MATERIAL NUMBER ASSIGNMENT

74060-** 0*

PIN HEIGHT / PLATING
 1-4 = 0.25 or 0.76 GOLD
 6-9 = 1.27 GOLD

 1 & 6 = 4.75
 2 & 7 = 6.25
 3 & 8 = 4.25
 4 & 9 = 5.15

NUMBER OF COLUMNS/PLATING
 10 = 10 COLUMN MATTE TIN (FORMERLY TIN/LEAD)
 25 = 25 COLUMN MATTE TIN (FORMERLY TIN/LEAD)
 60 = 10 COLUMN MATTE TIN (MAPS)
 75 = 25 COLUMN MATTE TIN (MAPS)
 90 = 10 COLUMN MATTE TIN
 85 = 25 COLUMN MATTE TIN



PART NUMBER	COLUMN	NUMBER OF SIGNAL PIN	NUMBER OF SHIELD	A	B	M	GOLD THICKNESS MICROMETER	TIN THICKNESS MICROMETER
74060-6001	10	80	10	20.00	18.00	4.75	0.25 MAPS	0.76-1.52
74060-*001							0.76	
74060-*006							1.27	
74060-7501	25	200	25	50.00	48.00	0.25 MAPS		
74060-*501						0.76		
74060-*506						1.27		
74060-6002	10	80	10	20.00	18.00	6.25	0.25 MAPS	
74060-*002							0.76	
74060-*007							1.27	
74060-7502	25	200	25	50.00	48.00	4.25	0.25 MAPS	
74060-*502							0.76	
74060-*507							1.27	
74060-6003	10	80	10	20.00	18.00	5.15	0.25 MAPS	
74060-*003							0.76	
74060-*008							1.27	
74060-7503	25	200	25	50.00	48.00	6.25	0.25 MAPS	
74060-*503							0.76	
74060-*508							1.27	
74060-6004	10	80	10	20.00	18.00	4.25	0.25 MAPS	
74060-*004							0.76	
74060-*009							1.27	
74060-7504	25	200	25	50.00	48.00	5.15	0.25 MAPS	
74060-*504							0.76	
74060-*509							1.27	

SEE SHEET 1 EC NO: UCP2014-3396 DRAWN BY: DRIVISVINGO1 2014/02/14 CHECKED BY: CHIKHMOLE 2012/11/30 APPR: SMILLER 2014/02/25 M REV	QUALITY SYMBOLS ∇=0 ∇=0 ∇=0	GENERAL TOLERANCES (UNLESS SPECIFIED)		DIMENSION STYLE MM ONLY		SCALE 2.5:1	DESIGN UNITS METRIC	THIRD ANGLE PROJECTION	
		4 PLACES ± --- ± --- 3 PLACES ± --- ± --- 2 PLACES ± 0.25 ± --- 1 PLACE ± 0.38 ± --- 0 PLACE ± --- ± ---	mm INCH	DRAWN BY: MWANG DATE: 1998/11/09	TITLE VHDM 8 ROW OPEN END BACKPLANE SALES ASSEMBLY				
		ANGULAR ±1/2° DRAFT WHERE APPLICABLE MUST REMAIN WITHIN DIMENSIONS		MATERIAL NO. SEE TABLE	APPROVED BY: JLAURX DATE: 1998/11/09	molex			
				DOCUMENT NO. SD-74060-002	SHEET NO. 2 OF 2				