

Excellent Integrated System Limited

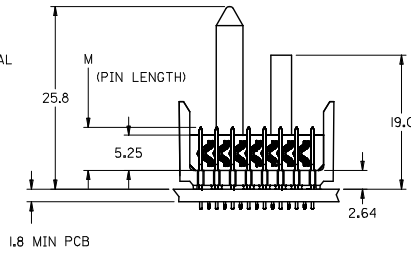
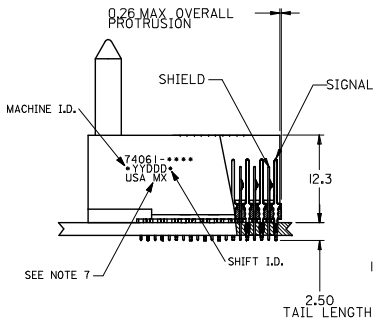
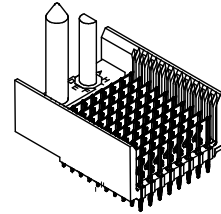
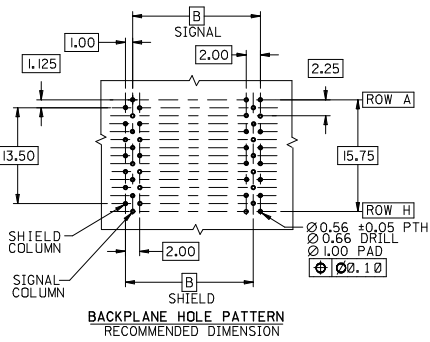
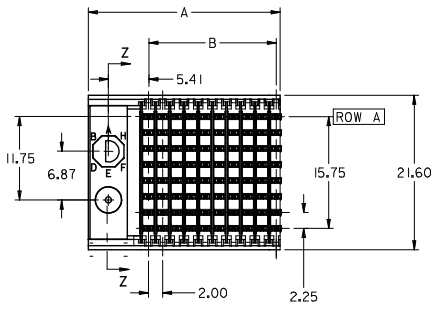
Stocking Distributor

Click to view price, real time Inventory, Delivery & Lifecycle Information:

[Molex Connector Corporation](#)
[0740612513](#)

For any questions, you can email us directly:

sales@integrated-circuit.com



NOTES:

- MATERIALS:**
HOUSING - LIQUID CRYSTAL POLYMER (LCP), GLASS-FILLED, UL 94V-0, COLOR: BLACK
SIGNAL PIN & SHIELD - COPPER ALLOY
- FINISHES:**
CONTACT AREA: SELECTIVE GOLD (Au)
PCB TAILS: SELECTIVE MATTE TIN (Sn)
NICKEL (Ni) OVERALL.
- THIS PART CONFORMS TO MOLEX PRODUCT SPECIFICATION PS-74031-999
- FOR MIXED CONTACT LENGTHS CONSULT MOLEX FOR AVAILABILITY
- FOR SPECIFIC MATERIAL NUMBERS & MATING INFORMATION REFER TO SHEET 2
- PACKAGE PER PK-74061-003
- MARK PART WITH PART NUMBER & DATE CODE APPROXIMATELY WHERE SHOWN
- MAPS (MOLEX ADVANCED PLATING SYSTEM).

THE PRIMARY CARTON WITH A LABEL STATING "ELV AND RoHS COMPLAINT" IS LEAD FREE. CARTONS WITHOUT THIS LABEL MAY CONTAIN LEAD.

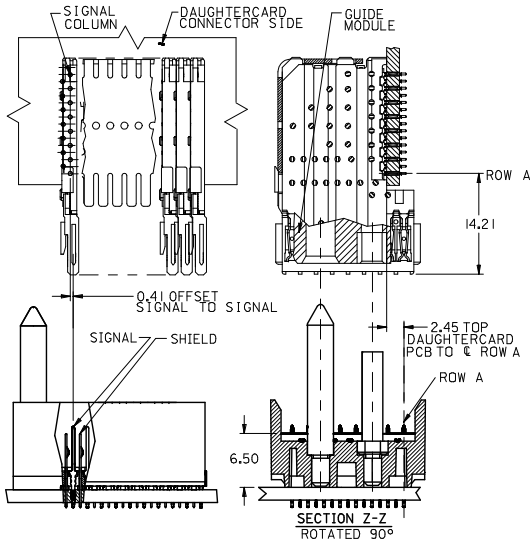
LEAD FREE CONVERSION EC NO: UCP2015-0667 DRAWING NO: 2012/08/23 CHKD/MOLFE 2012/11/20 APPROX/MILLER 2012/12/14	QUALITY SYMBOLS ▽=0 ▽=0 ▽=0	GENERAL TOLERANCES (UNLESS SPECIFIED)		DIMENSION STYLE MM ONLY		SCALE 2.5:1	DESIGN UNITS METRIC	THIRD ANGLE PROJECTION
		mm	INCH	DRAWN BY JMELTON	DATE 2010/05/19	TITLE VHDM 8 ROW SIGNAL END BACKPLANE SALES ASSEMBLY	molex	SHEET NO. 1 OF 2
4 PLACES ±		3 PLACES ±		CHECKED BY SDANNELLEY	DATE 2010/05/19	DOCUMENT NO. SD-74061-002		
2 PLACES ±		1 PLACE ±		APPROVED BY SMILLER	DATE 2010/07/14	MATERIAL NO.		THIS DRAWING CONTAINS INFORMATION THAT IS PROPRIETARY TO MOLEX INCORPORATED AND SHOULD NOT BE USED WITHOUT WRITTEN PERMISSION
0 PLACE ±		ANGULAR ±1/2°		SEE SHEET 2		MATERIAL NO.		
DRAFT WHERE APPLICABLE MUST REMAIN WITHIN DIMENSIONS		SIZE C						

M/N 74061-()	-**0*	-**1*	-**2*	-**3*	-**4*	-**5*	-**6*	-**7*	-**8*
KEYING PIN ORIENTATION	O	A	B	C	D	E	F	G	H

74061 - * * *

NUMBER OF COLUMNS/PLATING
 10 = 10 COLUMN MATTE TIN (FORMERLY TIN/LEAD)
 12 = 12 COLUMN MATTE TIN (FORMERLY TIN/LEAD)
 25 = 25 COLUMN MATTE TIN (FORMERLY TIN/LEAD)
 60 = 10 COLUMN MATTE TIN (MAPS)
 62 = 12 COLUMN MATTE TIN (MAPS)
 75 = 25 COLUMN MATTE TIN (MAPS)
 90 = 10 COLUMN MATTE TIN
 92 = 12 COLUMN MATTE TIN
 85 = 25 COLUMN MATTE TIN

CONTACT LOAD
 (PIN LENGTH)
 1 & 6 = 4.75
 2 & 7 = 6.25
 3 & 8 = 4.25
 4 & 9 = 5.15



PART NUMBER	COLUMN	NUMBER OF SIGNAL PIN	NUMBER OF SHIELD	A	B	M	GOLD THICKNESS MICROMETER	TIN THICKNESS MICROMETER
74061-60*1							0.25 MAPS	
74061-x0*1	10	80	10	27.00	18.00	4.75	0.76	0.76-152
74061-x0*6							1.27	
74061-75*1	25	200	25	57.00	48.00	6.25	0.25 MAPS	
74061-x5*1							0.76	
74061-x5*6							1.27	
74061-60*2	10	80	10	27.00	18.00	6.25	0.25 MAPS	
74061-x0*2							0.76	
74061-x0*7							1.27	
74061-75*2	25	200	25	57.00	48.00	4.25	0.25 MAPS	
74061-x5*2							0.76	
74061-x5*7							1.27	
74061-60*3	10	80	10	27.00	18.00	5.15	0.25 MAPS	
74061-x0*3							0.76	
74061-x0*8							1.27	
74061-75*3	25	200	25	57.00	48.00		0.25 MAPS	
74061-x5*3							0.76	
74061-x5*8							1.27	
74061-60*4	10	80	10	27.00	18.00		0.25 MAPS	
74061-x0*4							0.76	
74061-x0*9							1.27	
74061-75*4	25	200	25	57.00	48.00		0.25 MAPS	
74061-x5*4							0.76	
74061-x5*9							1.27	

PART NUMBER	COLUMN	NUMBER OF SIGNAL PIN	NUMBER OF SHIELD	A	B	M	GOLD THICKNESS MICROMETER	TIN THICKNESS MICROMETER
74061-62*1							0.25 MAPS	
74061-x2*1	12	96	12	31.00	22.00	4.75	0.76	0.76-152
74061-x2*6							1.27	
74061-62*2	12	96	12	31.00	22.00	6.25	0.25 MAPS	
74061-x2*2							0.76	
74061-x2*7							1.27	
74061-62*3	12	96	12	31.00	22.00	4.25	0.25 MAPS	
74061-x2*3							0.76	
74061-x2*8							1.27	
74061-62*4	12	96	12	31.00	22.00	5.15	0.25 MAPS	
74061-x2*4							0.76	
74061-x2*9							1.27	

SEE SHEET 1 EC NO: UCP2015-0687 2017/08/23 DRAWINGS CHK:DKM/HFE 2017/11/20 APPR:SMILLER 2017/12/14 DESCRIPTION REV	QUALITY SYMBOLS	GENERAL TOLERANCES (UNLESS SPECIFIED)	DIMENSION STYLE MM ONLY	SCALE 2.5:1	DESIGN UNITS METRIC	THIRD ANGLE PROJECTION	
	4 PLACES ± --- ± --- 3 PLACES ± --- ± --- 2 PLACES ± --- ± --- 1 PLACE ± --- ± --- 0 PLACE ± ±	mm INCH ± --- ± --- ± --- ± --- ± --- ± --- ± --- ± ---	DRAWN BY JMELTON DATE 2010/05/19 CHECKED BY SDANNELLEY DATE 2010/05/19 APPROVED BY SMILLER DATE 2010/07/14	MATERIAL NO. DOCUMENT NO. SD-74061-002	VHDM 8 ROW SIGNAL END BACKPLANE SALES ASSEMBLY 		SHEET NO. 2 OF 2
	DRAFT WHERE APPLICABLE MUST REMAIN WITHIN DIMENSIONS		ANGULAR ±1/2° SEE TABLE THIS DRAWING CONTAINS INFORMATION THAT IS PROPRIETARY TO MOLEX INCORPORATED AND SHOULD NOT BE USED WITHOUT WRITTEN PERMISSION				