

Excellent Integrated System Limited

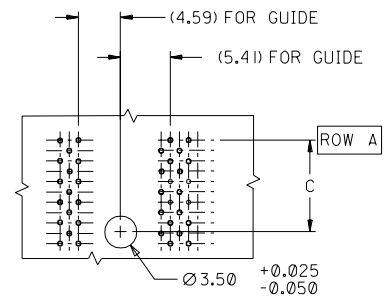
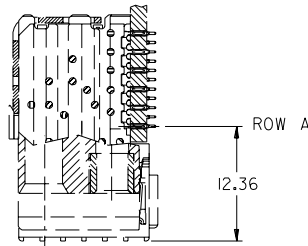
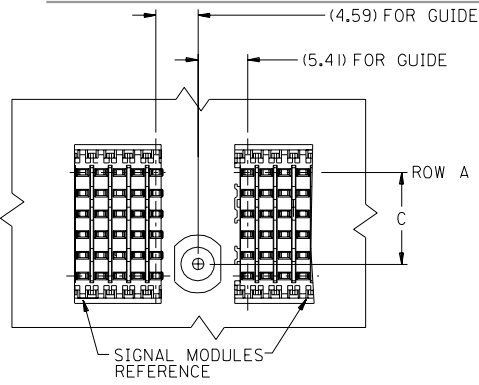
Stocking Distributor

Click to view price, real time Inventory, Delivery & Lifecycle Information:

[Molex Connector Corporation](#)
[0740760003](#)

For any questions, you can email us directly:

sales@integrated-circuit.com

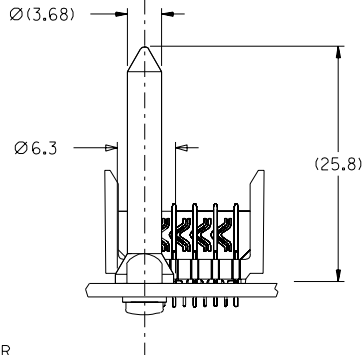
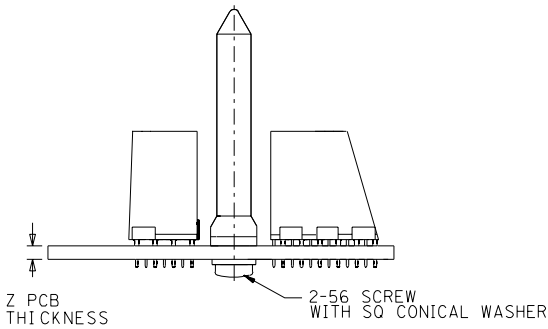


BACKPLANE HOLE PATTERN
FREE STAND GUIDE PIN

KIT NUMBER	Z(MM) BOARD THICKNESS
74076-0001	1.8-4.0
74076-0002	>4.0-9.00

NOTES:

PACKAGING: STANDARD BULK PACK, 500 PER BAG
PACKAGE SCREWS AND GUIDE SEPARATE.



MATE WITH	DIM C
VHDM 6 ROW	
GUIDE MODULE	9.96
GROUND MODULE	9.26
JOINER MODULE	9.26
VHDM 8 ROW	
GUIDE MODULE	11.75
GROUND MODULE	11.75
JOINER MODULE	11.75

REVISED EC NO. JDT2001-0045 DRWN: MWANG 00/07/14 CHK: JLAURX 00/07/14 APPR: CBIXLER 00/07/14	QUALITY SYMBOLS MAJOR = ∇ CRITICAL = ∇	GENERAL TOLERANCES: (UNLESS SPECIFIED)	SCALE	DESIGN UNITS	THIRD ANGLE PROJECTION	DIMENSIONS:	SHT	REV
		4 PLACES ±0. -- ±. 3 PLACES ±0. -- ±. 2 PLACES ±0. 10 ±. 1 PLACE ±0. 15 ±. ANGULAR ± 3 °	mm INCH DRAWN BY & DATE MWANG 00/03/17 CHECKED BY & DATE JLAURX 00/03/20 APPROVED BY & DATE CBIXLER 00/03/20 CAD FILENAME SD-74076-002.DGN	mm INCH <input checked="" type="checkbox"/> mm <input type="checkbox"/> INCH	<input type="checkbox"/> mm <input type="checkbox"/> INCH <input checked="" type="checkbox"/> mm ONLY	REVISE ON CAD ONLY		
B	REV	DRAFT WHERE APPLICABLE MUST REMAIN WITHIN DIMENSIONS		THIS DRAWING CONTAINS INFORMATION THAT IS PROPRIETARY TO MOLEX INCORPORATED AND SHOULD NOT BE USED WITHOUT WRITTEN PERMISSION.		TITLE: VHDM BACKPLANE FREE STANDING GUIDE PIN SALES DRAWING		
MOLEX INCORPORATED				MATERIAL NO. SEE TABLE	DRAWING NO. SD-74076-002	SHEET NO. 1 OF 1		SIZE B