

Excellent Integrated System Limited

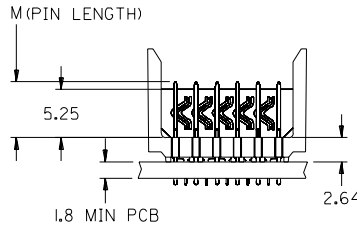
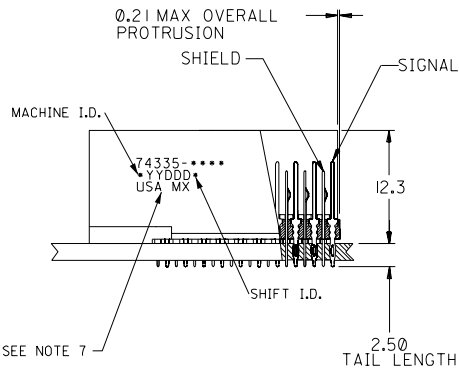
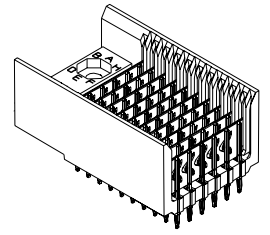
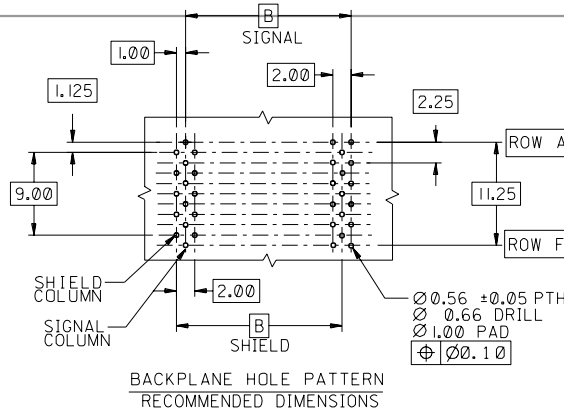
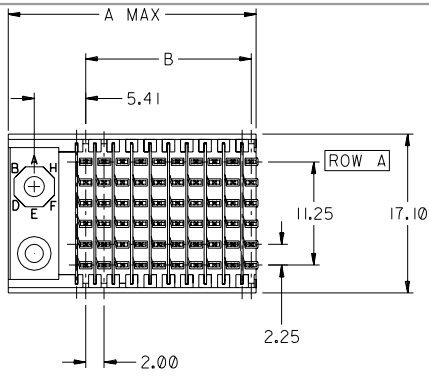
Stocking Distributor

Click to view price, real time Inventory, Delivery & Lifecycle Information:

[Molex Connector Corporation](#)
[0743351002](#)

For any questions, you can email us directly:

sales@integrated-circuit.com

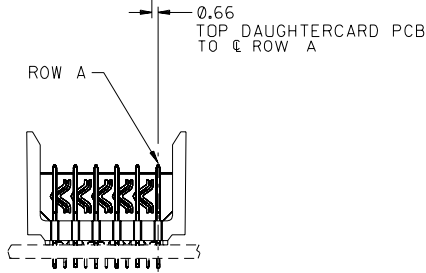
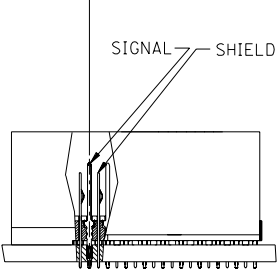
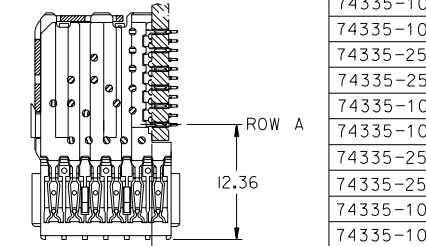
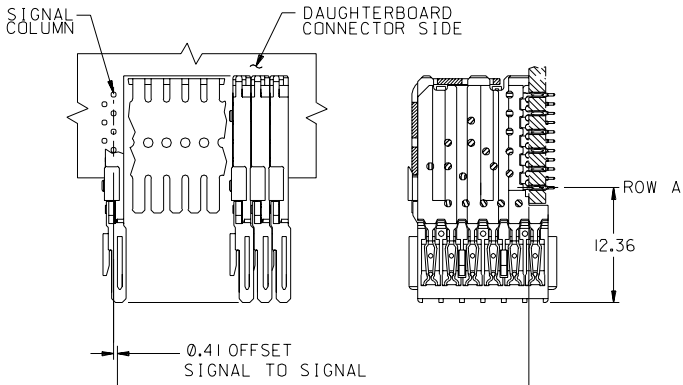


NOTES:

1. MATERIALS:
HOUSING - LIQUID CRYSTAL POLYMER (LCP),
GLASS-FILLED, UL 94V-0, COLOR: BLACK.
SIGNAL PIN & SHIELD - COPPER ALLOY.
2. FINISHES:
SELECTIVE GOLD (Au) IN CONTACT AREA;
SELECTIVE TIN/LEAD (Sn/Pb) ON PCB TAILS AND
NICKEL (Ni) OVERALL.
3. THIS PART CONFORMS TO MOLEX
PRODUCT SPECIFICATION PS-74031-999
4. FOR MIXED CONTACT MATING LENGTHS,
CONSULT MOLEX FOR AVAILABILITY.
5. FOR SPECIFIC MATERIAL NUMBERS
AND MATING INFORMATION REFER TO
SHEET 2.
6. PACKAGE PER PK-74057-003.
7. EITHER MARK PARTS WITH PART NUMBER AND DATE CODE
APPROXIMATELY WHERE SHOWN OR PLACE LABEL ON HTE TUBE.

REVISED EC NO. UDT2002-0443 DRWN: MWANG 01/09/18 CHK: JLAURX 01/09/18 APPR: CBIXLER 01/09/18	QUALITY SYMBOLS MAJOR = 0 CRITICAL = 0 C = 0	GENERAL TOLERANCES: (UNLESS SPECIFIED)		SCALE	DESIGN UNITS	THIRD ANGLE PROJECTION	DIMENSIONS:		SHT	REV	
				2.5:1	mm	INCH	mm	INCH	2	E	
		4 PLACES ±0.15		mm	INCH	mm	INCH	mm	INCH	1	E
		3 PLACES ±0.10		mm	INCH	mm	INCH	mm	INCH	1	E
REVISED EC NO. UDT2002-0443 DRWN: MWANG 01/09/18 CHK: JLAURX 01/09/18 APPR: CBIXLER 01/09/18	DESCRIPTION	2 PLACES ±0.07		DRAWN BY & DATE		TITLE:					
		1 PLACE ±0.05		MWANG 00/02/08		VHDM BACKPLANE 6 ROW SIGNAL-PIN END SALES DRAWING					
REVISED EC NO. UDT2002-0443 DRWN: MWANG 01/09/18 CHK: JLAURX 01/09/18 APPR: CBIXLER 01/09/18	DESCRIPTION	ANGULAR: ± - °		CHECKED BY & DATE		MATERIAL NO.					
		DRAFT WHERE APPLICABLE MUST REMAIN WITHIN DIMENSIONS		JLAURX 00/02/09		SD-74335-002					
REVISED EC NO. UDT2002-0443 DRWN: MWANG 01/09/18 CHK: JLAURX 01/09/18 APPR: CBIXLER 01/09/18	DESCRIPTION	ANGULAR: ± - °		APPROVED BY & DATE		DRAWING NO.		SHEET NO.		SIZE	
		DRAFT WHERE APPLICABLE MUST REMAIN WITHIN DIMENSIONS		CBIXLER 00/02/09		SD-74335-002		1 OF 2		B	
DRAFT WHERE APPLICABLE MUST REMAIN WITHIN DIMENSIONS		ANGULAR: ± - °		CAD FILENAME		DRAWING NO.		SHEET NO.		SIZE	
DRAFT WHERE APPLICABLE MUST REMAIN WITHIN DIMENSIONS		ANGULAR: ± - °		SD-74335-002.DGN		SD-74335-002		1 OF 2		B	

PART NUMBER	COLUMN	NUMBER OF SIGNAL PIN	NUMBER OF SHIELD	A MAX	B	M	Au (um) THICKNESS	Sn/Pb (um) THICKNESS
74335-1001	10	60	10	27.00	18.00	4.75	0.76	0.38-1.52
74335-1006							1.27	
74335-2501	25	150	25	57.00	48.00	6.25	0.76	
74335-2506							1.27	
74335-1002	10	60	10	27.00	18.00	4.25	0.76	
74335-1007							1.27	
74335-2502	25	150	25	57.00	48.00	5.15	0.76	
74335-2507							1.27	
74335-1003	10	60	10	27.00	18.00	4.25	0.76	
74335-1008							1.27	
74335-2503	25	150	25	57.00	48.00	5.15	0.76	
74335-2508							1.27	
74335-1004	10	60	10	27.00	18.00	4.25	0.76	
74335-1009							1.27	
74335-2504	25	150	25	57.00	48.00	5.15	0.76	
74335-2509							1.27	



REVISED EC NO. JDT2002-0443 DRWN: MWANG 01/09/18 CHK: JLAURX 01/09/18 APPR: CBIXLER 01/09/18	QUALITY SYMBOLS MAJOR CRITICAL C	GENERAL TOLERANCES: (UNLESS SPECIFIED)	SCALE 2.5:1	DESIGN UNITS <input checked="" type="checkbox"/> mm <input type="checkbox"/> INCH	THIRD ANGLE PROJECTION	DIMENSIONS: <input type="checkbox"/> mm <input type="checkbox"/> INCH <input checked="" type="checkbox"/> mm ONLY	SHT REV
		4 PLACES ±0. -- ±.	DRAWN BY & DATE MWANG 99/11/28	TITLE: VHDM BACKPLANE 6 ROW SIGNAL-PIN END SALES DRAWING	MOLEX INCORPORATED DRAWING NO. SD-74335-002 SHEET NO. 2 SIZE B		
		3 PLACES ±0. -- ±.	CHECKED BY & DATE JLAURX 00/02/09				
		2 PLACES ±0. -- ±.	APPROVED BY & DATE CBIXLER 00/02/09				
1 PLACE ±0. -- ±.	CAD FILENAME SD-74335-002-DCN						
REV	DESCRIPTION	DRAFT WHERE APPLICABLE MUST REMAIN WITHIN DIMENSIONS		THIS DRAWING CONTAINS INFORMATION THAT IS PROPRIETARY TO MOLEX INCORPORATED AND SHOULD NOT BE USED WITHOUT WRITTEN PERMISSION.			