

## Excellent Integrated System Limited

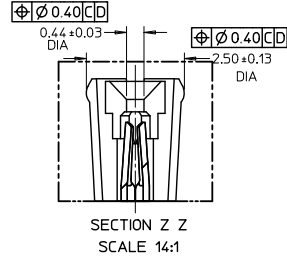
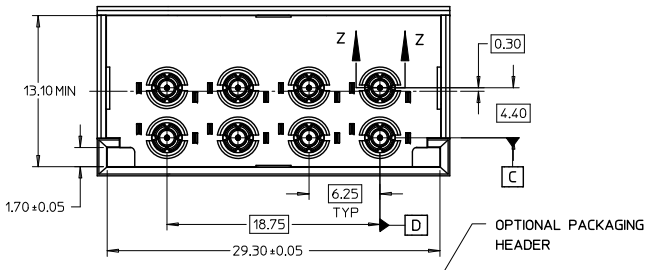
Stocking Distributor

Click to view price, real time Inventory, Delivery & Lifecycle Information:

[Molex Connector Corporation](#)  
[0747121001](#)

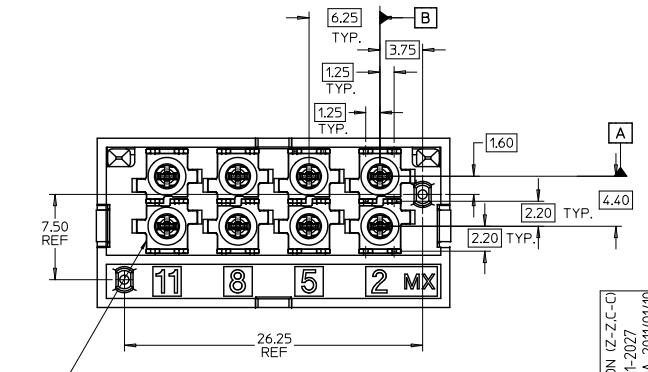
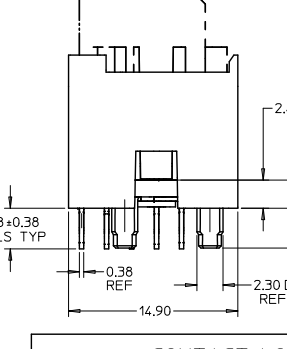
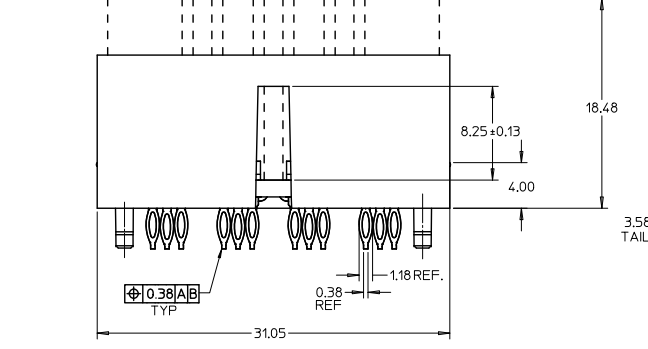
For any questions, you can email us directly:

[sales@integrated-circuit.com](mailto:sales@integrated-circuit.com)



MATERIAL NO.	TERMINAL LOADING BY POSITION	PACKAGING
74712-0001	2, 5, 8, 11	PK-74712-001
74712-0002	2	PK-74712-001
74712-0003	2, 5, 8, 11	PK-74712-002

- NOTES:
- MATERIAL:
    - HOUSING: GLASS FILLED THERMO PLASTIC, 94V-0
    - INSULATOR: GLASS FILLED THERMO PLASTIC, 94V-0
    - PACKAGING HEADER: GLASS FILLED THERMO PLASTIC, 94V-0
    - TERMINALS AND GROUND: TIN BRASS
    - OUTER GROUND CONTACT: PHOSPHOR BRONZE
  - PLATING:
    - TERMINALS:
      - SELECTIVE 0.76 MICRONS MIN. GOLD IN CONTACT AREA
      - SELECTIVE 0.88 MICRONS MIN. TIN BOTH OVER
      - 1.27 MICRONS MIN. NICKEL UNDERPLATE
    - GROUNDS:
      - 0.88 MICRONS MIN. TIN OVERALL OVER
      - 1.27 MICRONS MIN. NICKEL UNDERPLATE
    - OUTER GROUND CONTACT:
      - 0.76 MICRONS MIN. GOLD OVERALL OVER
      - 1.27 MICRONS MIN. NICKEL UNDERPLATE
  - REFER TO PRODUCT SPEC: PS-74854-001 FOR ELECTRICAL, MECHANICAL AND ENVIRONMENTAL REQUIREMENTS.
  - REFER TO PACKAGING SPEC STATED IN CHARTS FOR DETAILS OF THE PACKAGING REQUIREMENTS.
  - DATE CODE MARKING TO BE LOCATED ANYWHERE ON PLASTIC HOUSING. FIRST TWO DIGITS = WEEK NUMBER. LAST TWO DIGITS = YEAR.
  - THIS PART CONFORMS TO CLASS B REQUIREMENTS OF MOLEX COSMETIC SPECIFICATION PS-45499-002.



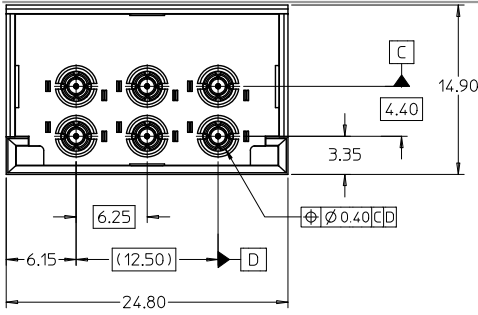
### CONTACT LOADING OPTIONS FOR 8 POS CONNECTORS

MAT'L NO. 747120001/0003  
POSITION 2,5,8 & 11 LOADED

MAT'L NO. 747120002  
POSITION 2 LOADED

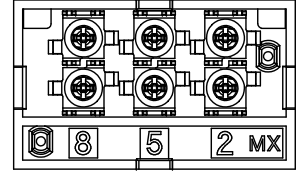
DIM CORRECTION (Z-Z-C-C)	QUALITY SYMBOLS	GENERAL TOLERANCES (UNLESS SPECIFIED)		SCALE 4:1	DESIGN UNITS METRIC	THIRD ANGLE PROJECTION	REVISE ON CAD ONLY
		mm	INCH				
E2	0 0	4 PLACES	± 0.13	± 0.005	MM ONLY	DATE 2006/06/06	TITLE SALES DRAWING FOR VERTICAL GANGED RF CONNECTOR, LONG TAILS
		3 PLACES	± 0.25	± 0.010			
		2 PLACES	± 0.50	± 0.020			
		1 PLACE	± 1.27	± 0.050			
		ANGULAR ± 2°					
		DRAFT WHERE APPLICABLE					
		MUST REMAIN WITHIN DIMENSIONS					
		THIS DRAWING CONTAINS INFORMATION THAT IS PROPRIETARY TO MOLEX INCORPORATED AND SHOULD NOT BE USED WITHOUT WRITTEN PERMISSION					

13 12 11 10 9 8 7 6 5 4 3 2 1



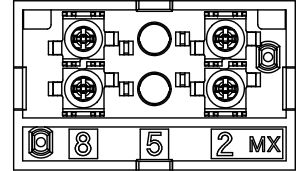
6 POSITION CONNECTOR			
MATERIAL NUMBER	POSITION OF LOADED TERMINAL(S)	OPTIONAL PACKAGING HEADER	PACKAGING SPECIFICATION
74712-1001	2, 5, 8	YES	PK-74712-101
74712-1002	2, 8	YES	
74712-1003	2	YES	
74712-1004	8	YES	
74712-1007	5	YES	PK-74712-102
74712-1005	2, 5, 8	YES	
74712-1006	2	YES	

MATERIAL NUMBER: 74712-1001/-1005



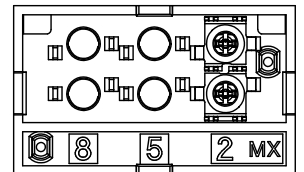
TERMINAL POSITIONS LOADED: 2, 5, 8

MATERIAL NUMBER: 74712-1002



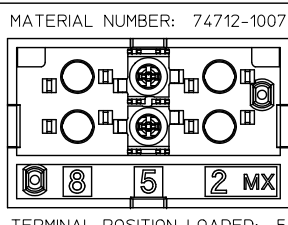
TERMINAL POSITIONS LOADED: 2, 8

MATERIAL NUMBER: 74712-1003/-1006



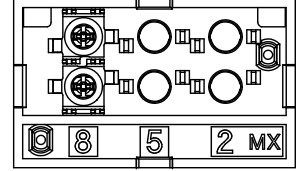
TERMINAL POSITION LOADED: 2

MATERIAL NUMBER: 74712-1007

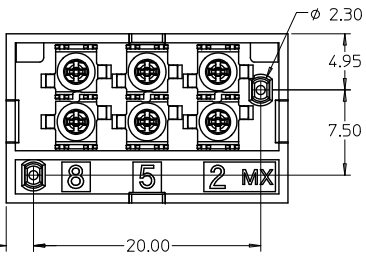
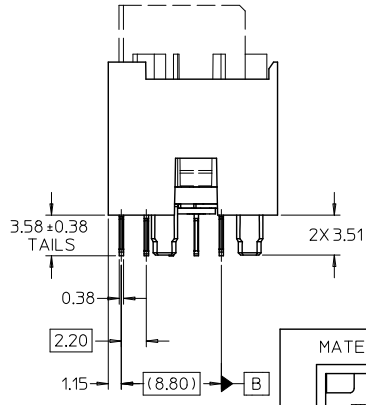
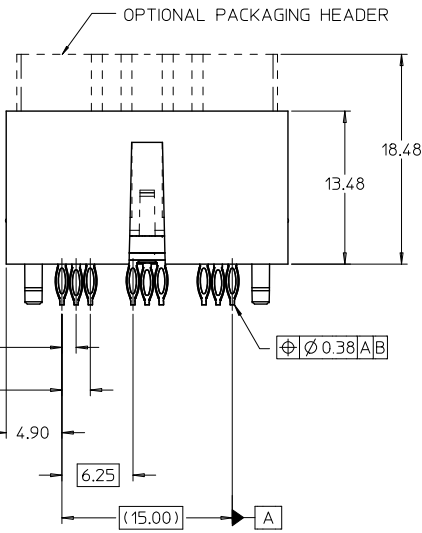


TERMINAL POSITION LOADED: 5

MATERIAL NUMBER: 74712-1004



TERMINAL POSITION LOADED: 8

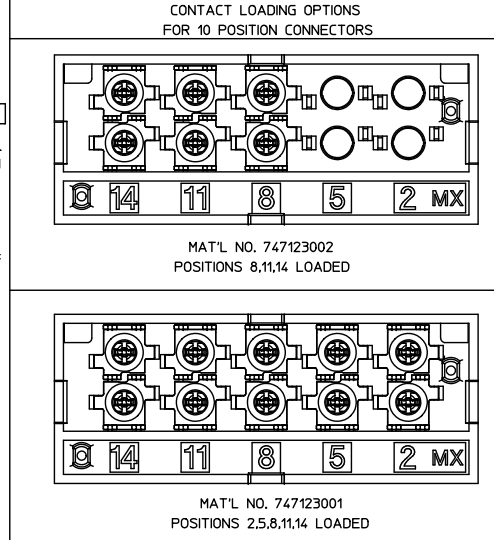
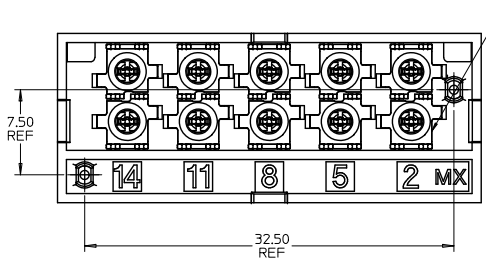
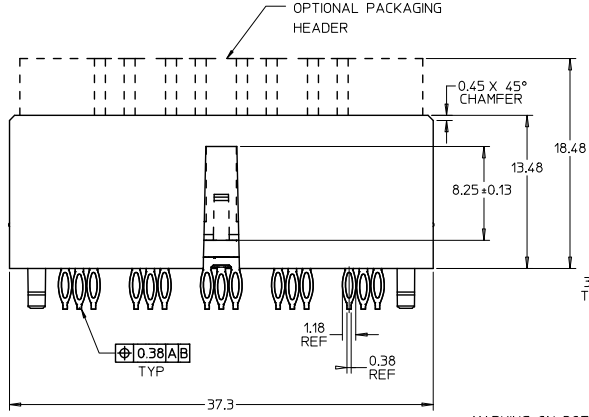
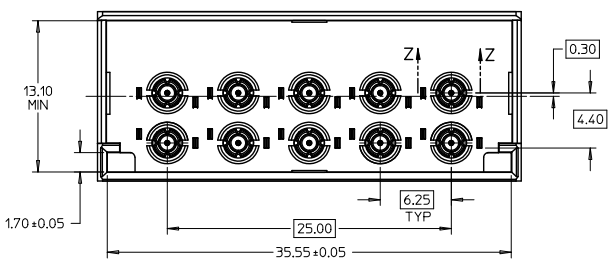


SEE SHEET 1 EC NO: UCP2011-2027 DRWN: J.MENDOZA 2011/07/08 CHKD: J.B.INGHAM 2011/07/10 APPR: J.B.INGHAM 2011/07/11	QUALITY SYMBOLS ▽=0 ▽=0	GENERAL TOLERANCES (UNLESS SPECIFIED)		DIMENSION STYLE MM ONLY		SCALE 4:1	DESIGN UNITS METRIC	THIRD ANGLE PROJECTION
		4 PLACES ± --- ± ---	DRAWN BY SREED	DATE 2006/06/06	TITLE SALES DRAWING FOR VERTICAL GANGED RF CONNECTOR, LONG TAILS			
		3 PLACES ± --- ± ---	CHECKED BY J.B.INGHAM	DATE 2006/06/06	MOLEX INCORPORATED			
		2 PLACES ± 0.13 ± --- 1 PLACE ± 0.25 ± --- ANGULAR ± 2 °	APPROVED BY J.B.INGHAM	DATE 2009/11/23	SD-74712-003			
DRAFT WHERE APPLICABLE MUST REMAIN WITHIN DIMENSIONS		SEE CHART		THIS DRAWING CONTAINS INFORMATION THAT IS PROPRIETARY TO MOLEX INCORPORATED AND SHOULD NOT BE USED WITHOUT WRITTEN PERMISSION		SHEET NO. 2 OF 5		

12	11	10	9	8	7	6	5	4	3	2	74712
----	----	----	---	---	---	---	---	---	---	---	-------

MATERIAL NO.	TERMINAL LOADING BY POSITION	PACKAGING
74712-3001	2, 5, 8, 11, 14	PK-74712-210
74712-3002	8, 11, 14	PK-74712-210

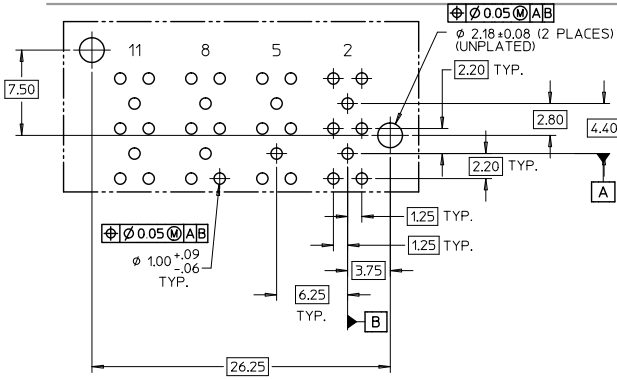
NOTE: REFER TO SHEET 1 FOR ALL DIMENSIONS. SECTION VIEW AND NOTES NOT SHOWN.



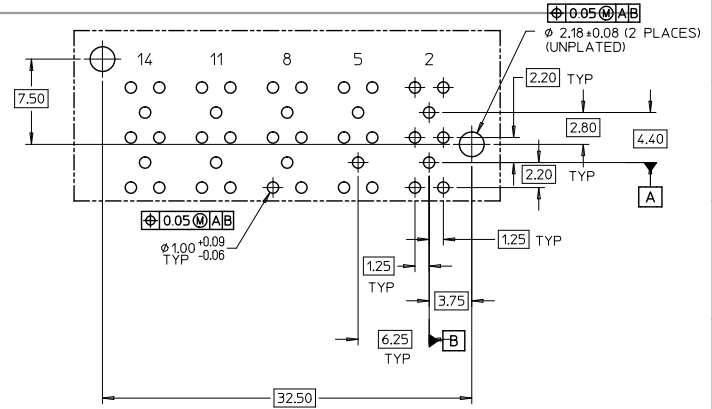
10 POSITION CONNECTOR SHOWN

SEE SHEET 1 EC NO. IUP2011-2007 DRAWN: MENDOZA 2011/01/10 CHKD: JBINGHAM 2011/07/10 APPR: JBINGHAM 2011/07/11 E2	QUALITY SYMBOLS -0 -0	GENERAL TOLERANCES (UNLESS SPECIFIED)		SCALE 4:1	DESIGN UNITS METRIC	THIRD ANGLE PROJECTION	REVISE ON CAD ONLY	
		4 PLACES ± --- ± --- 3 PLACES ± --- ± --- 2 PLACES ± 0.13 ± --- 1 PLACE ± 0.25 ± ---	mm INCH	DIMENSION STYLE MM ONLY		TITLE SALES DRAWING FOR VERTICAL GANGED RF CONNECTOR, LONG TAILS		
		DRAFT WHERE APPLICABLE MUST REMAIN WITHIN DIMENSIONS		DRAWN BY SREED DATE 2006/06/06 CHECKED BY JBINGHAM DATE 2006/06/06 APPROVED BY JBINGHAM DATE 2009/11/23	MATERIAL NO. SEE CHART DOCUMENT NO. SD-74712-003	MOLEX INCORPORATED		
		THIS DRAWING CONTAINS INFORMATION THAT IS PROPRIETARY TO MOLEX INCORPORATED AND SHOULD NOT BE USED WITHOUT WRITTEN PERMISSION						

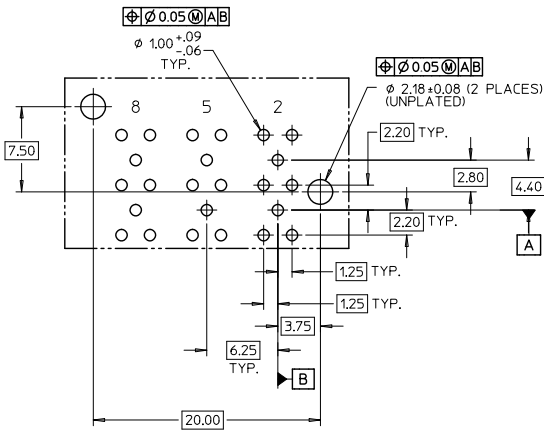
11	10	9	8	7	6	5	4	3	2	1
----	----	---	---	---	---	---	---	---	---	---



RECOMMENDED PCB LAYOUT FOR THE 8 POSITION CONNECTOR COMPONENT SIDE  
MAX. BOARD THICKNESS: 4.50



RECOMMENDED PCB LAYOUT FOR THE 10 POSITION CONNECTOR COMPONENT SIDE  
MAX. BOARD THICKNESS: 4.50



RECOMMENDED PCB LAYOUT FOR THE 6 POSITION CONNECTOR COMPONENT SIDE  
MAX. BOARD THICKNESS: 4.50

NOTE: DEPENDING ON CONNECTOR PART NUMBER, ALL HOLES MAY NOT BE REQUIRED. REFER TO SHEETS 1-3 FOR LOADED TERMINAL POSITIONS. REFER TO TERMINAL POSITIONS SPECIFIED ON EACH PCB LAYOUT TO DETERMINE WHICH HOLES ARE NEEDED.

SEE SHEET 1 EC NO. IUP2011-2007 DRAWN: MENDOZA 2011/04/10 CHKD: JBINGHAM 2011/01/10 APPR: JBINGHAM 2011/07/11	QUALITY SYMBOLS -0 -0	GENERAL TOLERANCES (UNLESS SPECIFIED)		SCALE 4:1	DESIGN UNITS METRIC	THIRD ANGLE PROJECTION	REVISE ON CAD ONLY
		mm	INCH	DIMENSION STYLE MM ONLY		TITLE SALES DRAWING FOR VERTICAL GANGED RF CONNECTOR, LONG TAILS	
		4 PLACES ± ---	± ---	DRAWN BY SREED	DATE 2006/06/06	MATERIAL NO. MOLEX INCORPORATED	
E2	DESCRIPTION	3 PLACES ± ---	± ---	CHECKED BY JBINGHAM	DATE 2006/06/06	SHEET NO. 4 OF 5	
		2 PLACES ± 0.13	± ---	APPROVED BY JBINGHAM	DATE 2009/11/23	THIS DRAWING CONTAINS INFORMATION THAT IS PROPRIETARY TO MOLEX INCORPORATED AND SHOULD NOT BE USED WITHOUT WRITTEN PERMISSION	
		1 PLACE ± 0.25	± ---				
DRAFT WHERE APPLICABLE MUST REMAIN WITHIN DIMENSIONS							

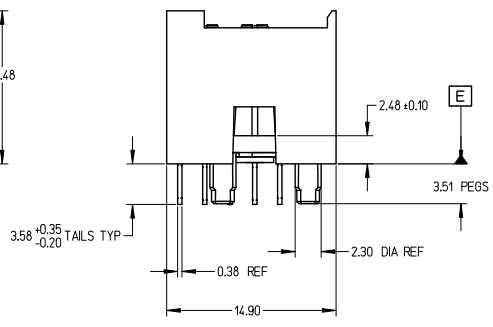
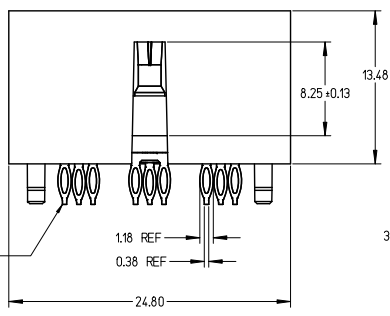
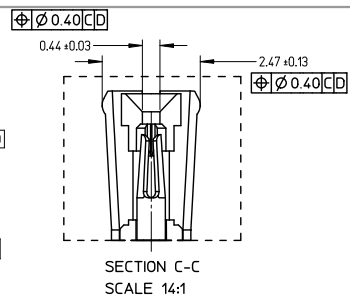
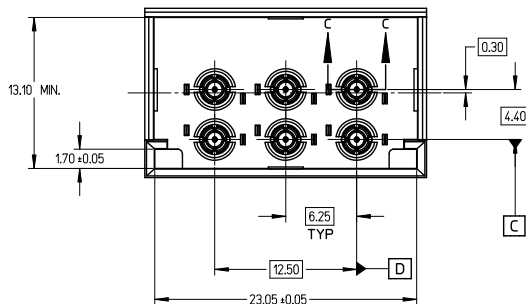
13 12 11 10 9 8 7 6 5 4 3 2 1

6 POSITION CONNECTOR

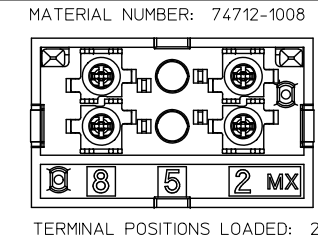
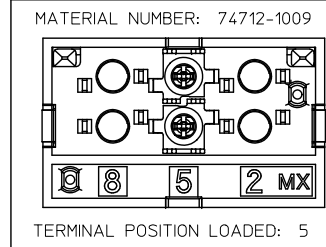
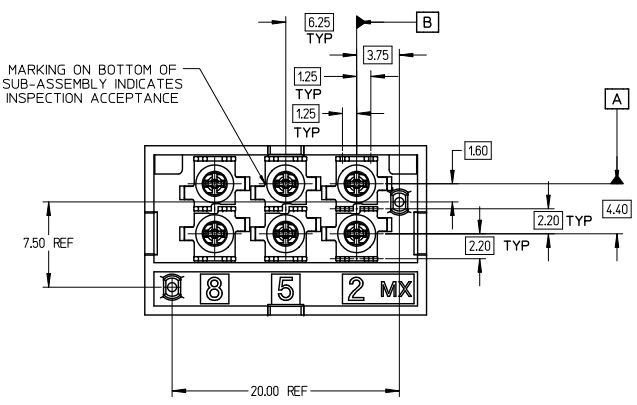
MATERIAL NUMBER	POSITION OF LOADED TERMINAL(S)	OPTIONAL PACKAGING HEADER	PACKAGING SPECIFICATION
74712-1008	2, 8	NO	PK-74712-101
74712-1009	5	NO	

NOTES:

- MATERIAL:
  - HOUSING: GLASS FILLED THERMO PLASTIC, 94V-0
  - INSULATOR: GLASS FILLED THERMO PLASTIC, 94V-0
  - TERMINALS AND GROUND: TIN BRASS
  - OUTER GROUND CONTACT: PHOSPHOR BRONZE
- PLATING:
  - TERMINALS:
    - SELECTIVE 0.76 MICRONS MIN. GOLD IN CONTACT AREA
    - SELECTIVE 0.88 MICRONS MIN. TIN BOTH OVER
    - 1.27 MICRONS MIN. NICKEL UNDERPLATE
  - GROUNDS:
    - 0.88 MICRONS MIN. TIN OVERALL OVER
    - 1.27 MICRONS MIN. NICKEL UNDERPLATE
  - OUTER GROUND CONTACT:
    - 0.76 MICRONS MIN. GOLD OVERALL OVER
    - 1.27 MICRONS MIN. NICKEL UNDERPLATE
- REFER TO PRODUCT SPEC.: PS-74854-001 FOR ELECTRICAL, MECHANICAL AND ENVIRONMENTAL REQUIREMENTS.
- REFER TO PACKAGING SPEC STATED IN CHARTS FOR DETAILS OF THE PACKAGING REQUIREMENTS.
- DATE CODE MARKING TO BE LOCATED ANYWHERE ON PLASTIC HOUSING. FIRST TWO DIGITS = WEEK NUMBER. LAST TWO DIGITS = YEAR.
- THIS PART CONFORMS TO CLASS B REQUIREMENTS OF MOLEX COSMETIC SPECIFICATION PS-45499-002.



6 POS. CONNECTOR SHOWN



SEE SHEET 1 EC NO: UCP2011-2027 DRWN: JENDOZA 2011/01/10 CHKD: JBINGHAM 2011/07/10 APPR: JBINGHAM 2011/01/11	QUALITY SYMBOLS ▽=0 ▽=0	GENERAL TOLERANCES (UNLESS SPECIFIED)		DIMENSION STYLE		SCALE	DESIGN UNITS	THIRD ANGLE PROJECTION	
				MM ONLY		4:1	METRIC		
						DRAWN BY	DATE	TITLE	
						SREED	2006/06/06	SALES DRAWING FOR VERTICAL GANGED RF CONNECTOR, LONG TAILS	
				CHECKED BY	DATE	MOLEX INCORPORATED		SHEET NO. 5 OF 5	
				JBINGHAM	2006/06/06				
				APPROVED BY	DATE				
				JBINGHAM	2009/11/23				
				MATERIAL NO.		DOCUMENT NO.			
				SEE CHARTS		SD-74712-003			
				DRAFT WHERE APPLICABLE MUST REMAIN WITHIN DIMENSIONS					
				THIS DRAWING CONTAINS INFORMATION THAT IS PROPRIETARY TO MOLEX INCORPORATED AND SHOULD NOT BE USED WITHOUT WRITTEN PERMISSION					