

Excellent Integrated System Limited

Stocking Distributor

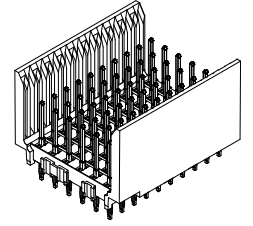
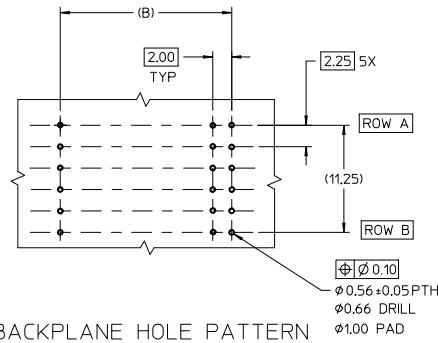
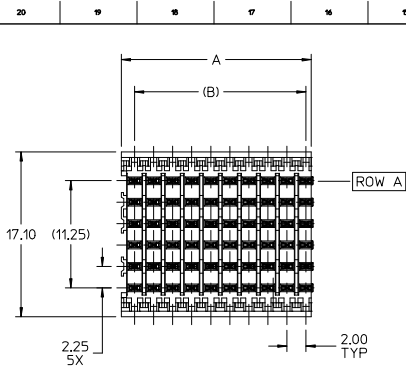
Click to view price, real time Inventory, Delivery & Lifecycle Information:

[Molex Connector Corporation](#)

[0751941003](#)

For any questions, you can email us directly:

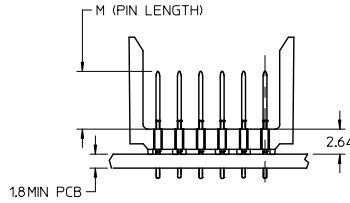
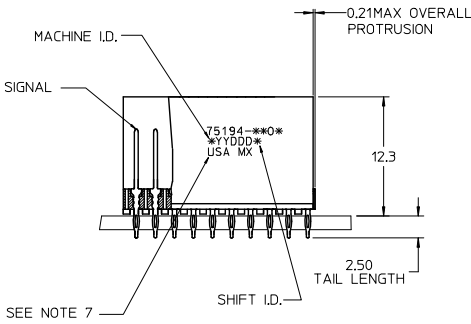
sales@integrated-circuit.com



**BACKPLANE HOLE PATTERN
RECOMMENDED DIMENSIONS**

NOTES:

- MATERIALS:**
HOUSING - LIQUID CRYSTAL POLYMER (LCP),
GLASS-FILLED, UL 94V-0, COLOR: BLACK
SIGNAL PIN - COPPER ALLOY
- FINISHES:**
CONTACT AREA: SELECTIVE GOLD (Au)
PCB TAILS: SELECTIVE MATTE TIN (Sn)
NICKEL (Ni) UNDERPLATE OVERALL.
- THIS PART CONFORMS TO MOLEX PRODUCT SPECIFICATION PS-74031-999
- FOR MIXED CONTACT LENGTHS CONSULT MOLEX FOR AVAILABILITY
- FOR SPECIFIC MATERIAL NUMBERS & MATING INFORMATION REFER TO SHEET 2
- PACKAGE PER PK-74057-003
- EITHER MARK PART WITH PART NUMBER & DATE CODE APPROXIMATELY WHERE SHOWN OR PLACE LABEL ON THE TUBE.
- MAPS (MOLEX ADVANCE PLATING SYSTEMS).



THE PRIMARY CARTON WITH A LABEL STATING "ELV AND RoHS COMPLIANT" IS LEAD FREE. CARTONS WITHOUT THIS LABEL MAY CONTAIN LEAD.

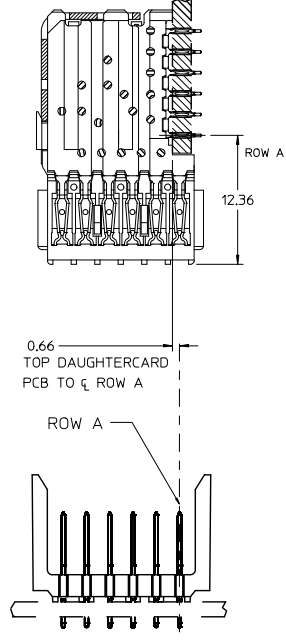
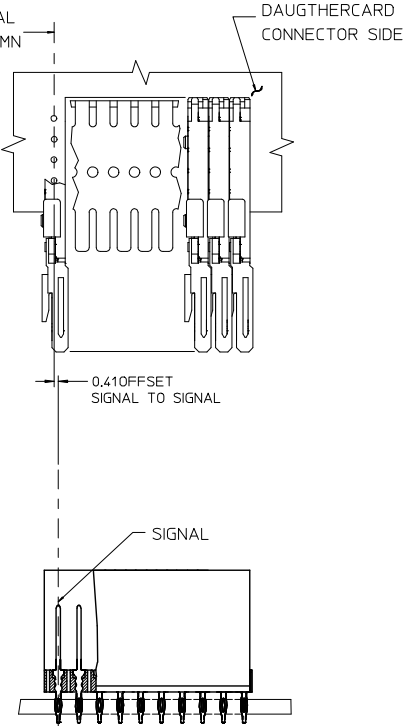
LEAD FREE CONVERSION DEC 10, 2012/08/17 DRN/MOLEE 2012/08/17 G CHECKING APPROVALS 2012/07/14 2012/07/14	QUALITY SYMBOLS	GENERAL TOLERANCES (UNLESS SPECIFIED)	DIMENSION STYLE	SCALE	DESIGN UNITS	THIRD ANGLE PROJECTION	
	4 PLACES ± 0.00 3 PLACES ± 0.01 2 PLACES ± 0.02 1 PLACE ± 0.03 0 PLACE ± 0.04	mm INCH	MM ONLY	2:1	METRIC	DRAWN BY MBANDURA CHECKED BY DATE 2002/12/18 DATE 2002/12/18 APPROVED BY DATE 2012/08/10 MATERIAL NO. SEE SHT.2 SIZE D THIS DRAWING CONTAINS INFORMATION THAT IS PROPRIETARY TO MOLEX INCORPORATED AND SHOULD NOT BE USED WITHOUT WRITTEN PERMISSION	TITLE VHDM LITE 6 ROW LF OPEN END BACKPLANE SALES DRAWING molex DOCUMENT NO. SD-75194-001 SHEET NO. 1 OF 2
	ANGULAR ± 1/2° DRAFT WHERE APPLICABLE MUST REMAIN WITHIN DIMENSIONS						

MATERIAL NUMBER ASSIGNMENT

75194- **0*

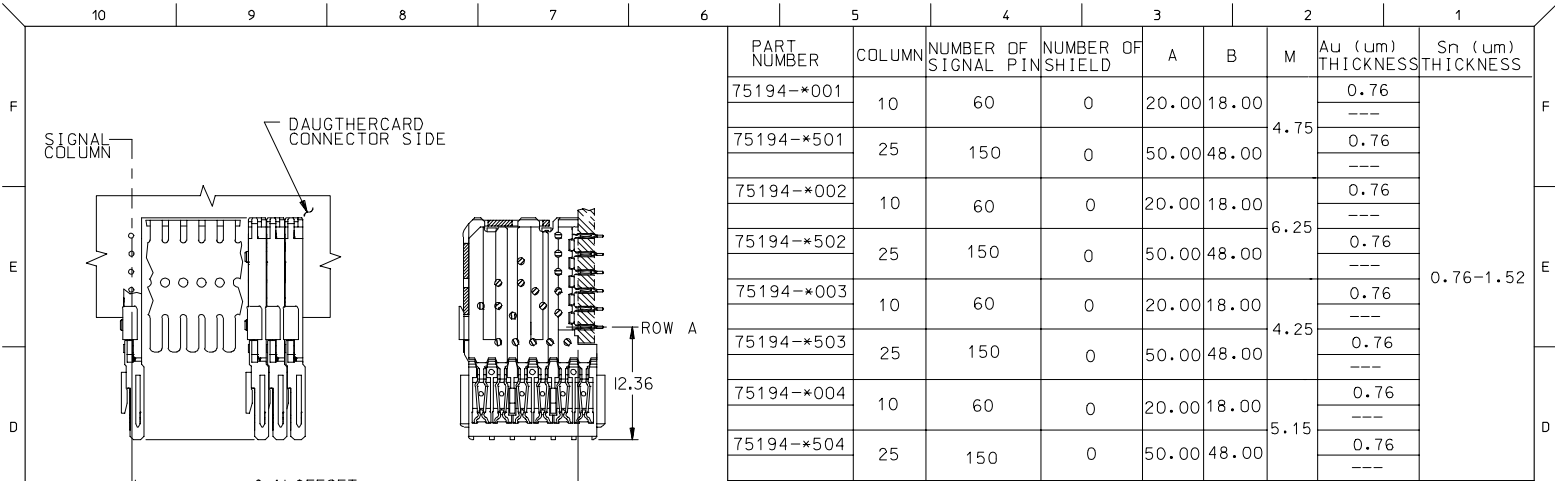
FIN LENGTH 'M'/
GOLD THICKNESS.
SEE TABLE

NUMBER OF COLUMNS/PLATING
 10 = 10 COLUMN MATTE TIN (FORMERLY TIN/LEAD)
 25 = 25 COLUMN MATTE TIN (FORMERLY TIN/LEAD)
 60 = 10 COLUMN MATTE TIN (MAPS)
 75 = 25 COLUMN MATTE TIN (MAPS)
 90 = 10 COLUMN MATTE TIN
 85 = 25 COLUMN MATTE TIN



PART NUMBER	COLUMN	NUMBER OF SIGNAL PIN	NUMBER OF SHIELD	A	B	M	GOLD THICKNESS MICROMETER	TIN THICKNESS MICROMETER
75194-6001	10	60	10	20.00	18.00	4.75	0.25 MAPS	0.76-1.52
75194-6006							0.76	
75194-7501	25	150	25	50.00	48.00	6.25	0.25 MAPS	
75194-501							0.76	
75194-506	10	60	10	20.00	18.00	4.25	0.25 MAPS	
75194-6002							0.76	
75194-7502	25	150	25	50.00	48.00	6.25	0.25 MAPS	
75194-502							0.76	
75194-507	10	60	10	20.00	18.00	4.25	0.25 MAPS	
75194-6003							0.76	
75194-7503	25	150	25	50.00	48.00	6.25	0.25 MAPS	
75194-503							0.76	
75194-508	10	60	10	20.00	18.00	5.15	0.25 MAPS	
75194-6004							0.76	
75194-7504	25	150	25	50.00	48.00	6.25	0.25 MAPS	
75194-504							0.76	
75194-509							1.27	

SEE SHEET 1 SEC. NO. 0751941003-0087 DRAWN BY: G CHECKING: G APPROVAL: G DATE: 2012/08/17 DATE: 2012/08/17 DATE: 2012/08/17	QUALITY SYMBOLS	GENERAL TOLERANCES (UNLESS SPECIFIED)	DIMENSION STYLE	SCALE	DESIGN UNITS	THIRD ANGLE PROJECTION	
	∇=0 ∇=0 ∇=0	mm INCH 4 PLACES ± --- ± --- 3 PLACES ± --- ± --- 2 PLACES ± 0.25 ± --- 1 PLACE ± 0.38 ± --- 0 PLACE ± --- ± ---	MM ONLY	2:1	METRIC	DRAWN BY: MBANDURA DATE: 2002/12/18 CHECKED BY: MARTIN DATE: 2002/12/18 APPROVED BY: SMILLER DATE: 2012/08/10	TITLE: VHDM LITE 6 ROW, LF OPEN END BACKPLANE SALES DRAWING MATERIAL NO.: SEE TABLE DOCUMENT NO.: SD-75194-001
	ANGULAR ±1/2° DRAFT WHERE APPLICABLE MUST REMAIN WITHIN DIMENSIONS	SEE TABLE THIS DRAWING CONTAINS INFORMATION THAT IS PROPRIETARY TO MOLEX INCORPORATED AND SHOULD NOT BE USED WITHOUT WRITTEN PERMISSION				SHEET NO. 2 OF 2	



PART NUMBER	COLUMN	NUMBER OF SIGNAL PIN	NUMBER OF SHIELD	A	B	M	Au (um) THICKNESS	Sn (um) THICKNESS
75194-*001	10	60	0	20.00	18.00	4.75	0.76	0.76-1.52
75194-*501	25	150	0	50.00	48.00	4.75	0.76	
75194-*002	10	60	0	20.00	18.00	6.25	0.76	
75194-*502	25	150	0	50.00	48.00	6.25	0.76	
75194-*003	10	60	0	20.00	18.00	4.25	0.76	
75194-*503	25	150	0	50.00	48.00	4.25	0.76	
75194-*004	10	60	0	20.00	18.00	5.15	0.76	
75194-*504	25	150	0	50.00	48.00	5.15	0.76	

MATERIAL NUMBER ASSIGNMENT

75194- ** **
 SEE TABLE
 NUMBER OF COLUMNS/PLATING
 10 = 10 COLUMN TIN/LEAD
 25 = 25 COLUMN TIN/LEAD
 90 = 10 COLUMN MATTE TIN
 85 = 25 COLUMN MATTE TIN

SEE SHEET 1 EC NO: U/P2006-0059 DRAWN: MULVEY CHKD: SREED APPR: SREED 2005/07/13 2005/07/13 2005/07/15	QUALITY SYMBOLS ▽=0 ▽=0	GENERAL TOLERANCES (UNLESS SPECIFIED)		DIMENSION STYLE MM ONLY		SCALE 2.5:1	DESIGN UNITS METRIC	THIRD ANGLE PROJECTION		
		4 PLACES ± --- ± ---	3 PLACES ± --- ± ---	2 PLACES ± --- ± ---	1 PLACE ± --- ± ---	ANGULAR ±1/2°	DRAWN BY MBANDURA	DATE 2002/12/18	TITLE VHDM LITE 6 ROW OPEN END BACKPLANE SALES ASSEMBLY	
		DRAFT WHERE APPLICABLE MUST REMAIN WITHIN DIMENSIONS		SEE CHART		MATERIAL NO.	DOCUMENT NO.	MOLEX INCORPORATED		
						SIZE B	THIS DRAWING CONTAINS INFORMATION THAT IS PROPRIETARY TO MOLEX INCORPORATED AND SHOULD NOT BE USED WITHOUT WRITTEN PERMISSION			SHEET NO. 2 OF 2