

## Excellent Integrated System Limited

Stocking Distributor

Click to view price, real time Inventory, Delivery & Lifecycle Information:

[Molex Connector Corporation](#)  
[0751951001](#)

For any questions, you can email us directly:

[sales@integrated-circuit.com](mailto:sales@integrated-circuit.com)

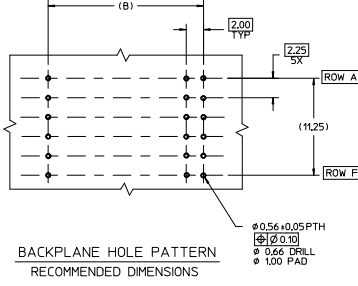
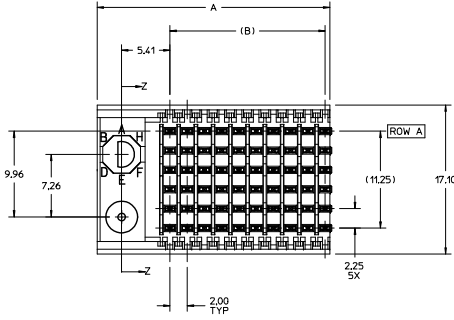
20 19 18 17 16 15 14 13 12 11 10 9 8 7 6 5 4 3 2 1

|                        |       |       |       |       |       |       |       |       |       |
|------------------------|-------|-------|-------|-------|-------|-------|-------|-------|-------|
| M/N<br>75195-( )       | -**0* | -**1* | -**2* | -**3* | -**4* | -**5* | -**6* | -**7* | -**8* |
| KEYING PIN ORIENTATION | NONE  | A     | B     | C     | D     | E     | F     | G     | H     |

75195 \* \* \* \*

PIN LENGTH/PLATING

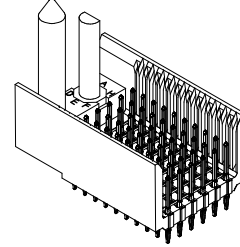
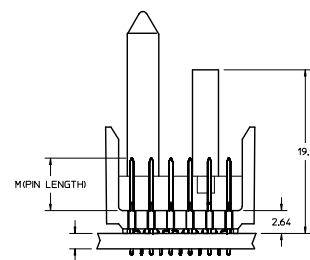
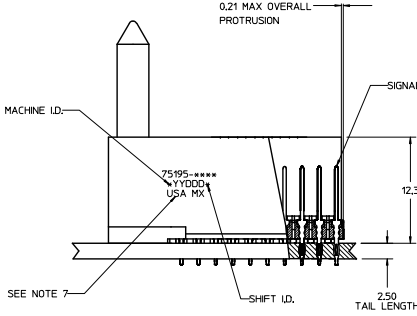
|   |                                   |
|---|-----------------------------------|
| 1 | = 4.75mm, 10 or 30 MICROINCH GOLD |
| 2 | = 6.25mm, 10 or 30 MICROINCH GOLD |
| 3 | = 4.25mm, 10 or 30 MICROINCH GOLD |
| 4 | = 5.15mm, 10 or 30 MICROINCH GOLD |
| 6 | = 4.75mm, 50 MICROINCH GOLD       |
| 7 | = 6.25mm, 50 MICROINCH GOLD       |
| 8 | = 4.25mm, 50 MICROINCH GOLD       |
| 9 | = 5.15mm, 50 MICROINCH GOLD       |



COLUMN/PLATING

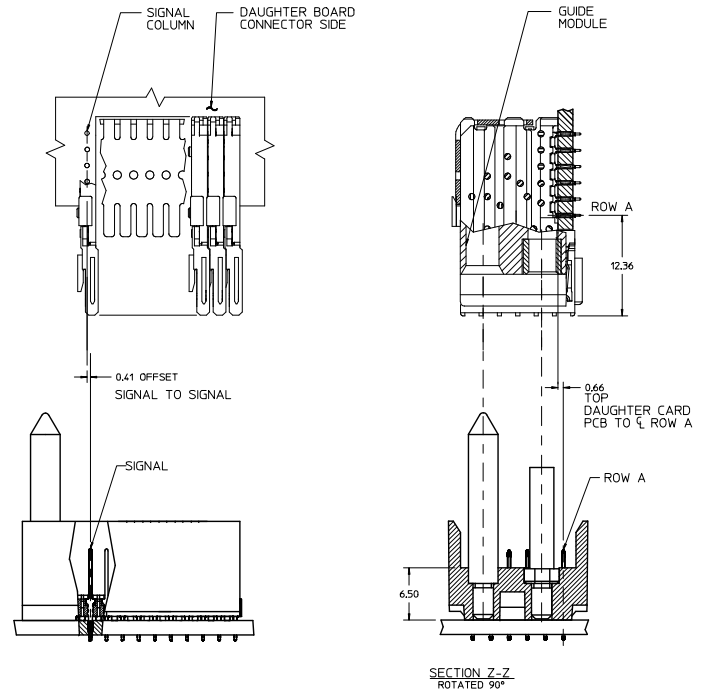
|    |   |
|----|---|
| 10 | = 10 COLUMN MATTE TIN (FORMERLY TIN/LEAD) |
| 25 | = 25 COLUMN MATTE TIN (FORMERLY TIN/LEAD) |
| 60 | = 10 COLUMN MATTE TIN (MAPS)              |
| 75 | = 25 COLUMN MATTE TIN (MAPS)              |
| 90 | = 10 COLUMN MATTE TIN                     |
| 85 | = 25 COLUMN MATTE TIN                     |

- NOTES:
- MATERIALS:  
HOUSING - LIQUID CRYSTAL POLYMER (LCP),  
GLASS-FILLED, UL 94V-0, COLOR: BLACK  
SIGNAL PIN - COPPER ALLOY
  - FINISHES:  
CONTACT AREA: SELECTIVE GOLD (Au)  
PCB TAILS: SELECTIVE MATTE TIN (Sn)  
NICKEL (Ni) OVERALL
  - THIS PART CONFORMS TO MOLEX PRODUCT SPECIFICATION PS-74031-999.
  - FOR MIXED CONTACT LENGTHS CONSULT MOLEX FOR AVAILABILITY.
  - FOR SPECIFIC MATERIAL NUMBERS & MATING INFORMATION REFER TO SHEET 2.
  - PACKAGE PER PK-74058-003.
  - MARK PART WITH PART NUMBER & DATE CODE APPROXIMATELY WHERE SHOWN.
  - MAPS (MOLEX ADVANCED PLATING SYSTEM)



|  |                 |  |                            |              |                        |                        |
|--|-----------------|--|----------------------------|--------------|------------------------|------------------------|
| SEE SHEET 2<br>EC NO. UEP2013-047<br>DRWNS/VANG1 2010/07/14<br>CHK/MALLE 2010/07/14<br>APPR/SHTLLE 2010/07/14<br>REV | QUALITY SYMBOLS | GENERAL TOLERANCES (UNLESS SPECIFIED)  | DIMENSION STYLE<br>MM ONLY | SCALE<br>4:1 | DESIGN UNITS<br>METRIC | THIRD ANGLE PROJECTION |
|  | ∇=0             | 4 PLACES ±---  | mm                         | INCH         |                        |                        |
|  | ∇=0             | 3 PLACES ±---  | ---                        | ---          |                        |                        |
|  | ∇=0             | 2 PLACES ±0.25   | ---                        | ---          |                        |                        |
|  |                 | 1 PLACE ±0.38  | ---                        | ---          |                        |                        |
|  |                 | 0 PLACE ±---   | ---                        | ---          |                        |                        |
|  |                 | ANGULAR ±1/2°  |                            |              |                        |                        |
|  |                 | DRAFT WHERE APPLICABLE<br>MUST REMAIN WITHIN DIMENSIONS  |                            |              |                        |                        |
|  |                 | SEE TABLE  |                            |              |                        |                        |
|  |                 | THIS DRAWING CONTAINS INFORMATION THAT IS PROPRIETARY TO MOLEX<br>INCORPORATED AND SHOULD NOT BE USED WITHOUT WRITTEN PERMISSION |                            |              |                        |                        |

| PART NUMBER | COLUMN | NUMBER OF SIGNAL PIN | A     | B     | M    | GOLD THICKNESS MICROMETER | MATTE TIN THICKNESS MICROMETER |
|-------------|--------|----------------------|-------|-------|------|---------------------------|--------------------------------|
| 75195-60*1  | 10     | 60                   | 27.00 | 18.00 | 4.75 | 0.25 MAPS                 | 0.76-1.52                      |
| 75195-10*1  |        |                      |       |       |      | 0.76                      |                                |
| 75195-10*6  |        |                      |       |       |      | 1.27                      |                                |
| 75195-75*1  | 25     | 150                  | 57.00 | 48.00 | 6.25 | 0.25 MAPS                 |                                |
| 75195-15*1  |        |                      |       |       |      | 0.76                      |                                |
| 75195-15*6  |        |                      |       |       |      | 1.27                      |                                |
| 75195-60*2  | 10     | 60                   | 27.00 | 18.00 | 4.75 | 0.25 MAPS                 |                                |
| 75195-10*2  |        |                      |       |       |      | 0.76                      |                                |
| 75195-10*7  |        |                      |       |       |      | 1.27                      |                                |
| 75195-75*2  | 25     | 150                  | 57.00 | 48.00 | 6.25 | 0.25 MAPS                 |                                |
| 75195-15*2  |        |                      |       |       |      | 0.76                      |                                |
| 75195-15*7  |        |                      |       |       |      | 1.27                      |                                |
| 75195-60*3  | 10     | 60                   | 27.00 | 18.00 | 4.75 | 0.25 MAPS                 |                                |
| 75195-10*3  |        |                      |       |       |      | 0.76                      |                                |
| 75195-10*8  |        |                      |       |       |      | 1.27                      |                                |
| 75195-75*3  | 25     | 150                  | 57.00 | 48.00 | 6.25 | 0.25 MAPS                 |                                |
| 75195-15*3  |        |                      |       |       |      | 0.76                      |                                |
| 75195-15*8  |        |                      |       |       |      | 1.27                      |                                |
| 75195-60*4  | 10     | 60                   | 27.00 | 18.00 | 5.15 | 0.25 MAPS                 |                                |
| 75195-10*4  |        |                      |       |       |      | 0.76                      |                                |
| 75195-10*9  |        |                      |       |       |      | 1.27                      |                                |
| 75195-75*4  | 25     | 150                  | 57.00 | 48.00 | 6.25 | 0.25 MAPS                 |                                |
| 75195-15*4  |        |                      |       |       |      | 0.76                      |                                |
| 75195-15*9  |        |                      |       |       |      | 1.27                      |                                |



|  |  |                                       |                    |                      |                    |                        |
|--|--|---------------------------------------|--------------------|----------------------|--------------------|------------------------|
| REV DIMENSIONS IN COL. A<br>EC NO. IUP2013-0427<br>DRWNS/ANG1 2010/07/14<br>CHK/SMILE 2010/07/14<br>APPR/SMLLER 2010/07/14<br>DATE | QUALITY SYMBOLS  | GENERAL TOLERANCES (UNLESS SPECIFIED) | DIMENSION STYLE    | SCALE                | DESIGN UNITS       | THIRD ANGLE PROJECTION |
|  | ∇=0  | mm INCH                               | MM ONLY            | 4:1                  | METRIC             | ☉                      |
|  | ∇=0  | 4 PLACES ± ---                        | DRAWN BY           | DATE                 | TITLE              |                        |
|  | ∇=0  | 3 PLACES ± ---                        | JMELTON 2010/05/18 |                      | VHDM LITE 6 ROW LF |                        |
| ∇=0  | 2 PLACES ± 0.25  | CHECKED BY                            | DATE               |                      |                    |                        |
| ∇=0  | 1 PLACE ± 0.38   | SDANNELLEY 2010/05/18                 |                    | SIGNAL END BACKPLANE |                    |                        |
| ∇=0  | 0 PLACE ±  | APPROVED BY                           | DATE               |                      |                    |                        |
|  | ANGULAR ±1/2°  | SMILLER 2010/07/14                    |                    | SALES DRAWING        |                    |                        |
|  | DRAFT WHERE APPLICABLE MUST REMAIN WITHIN DIMENSIONS   | MATERIAL NO.                          | DOCUMENT NO.       | <b>molex</b>         |                    |                        |
|  | SEE TABLE  |                                       |                    | SD-75195-001         |                    |                        |
|  | SIZE D THIS DRAWING CONTAINS INFORMATION THAT IS PROPRIETARY TO MOLEX INCORPORATED AND SHOULD NOT BE USED WITHOUT WRITTEN PERMISSION |                                       |                    |                      |                    |                        |