

Excellent Integrated System Limited

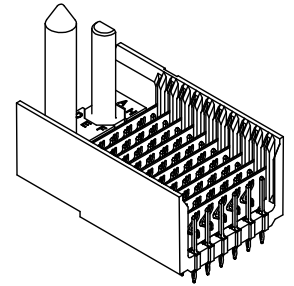
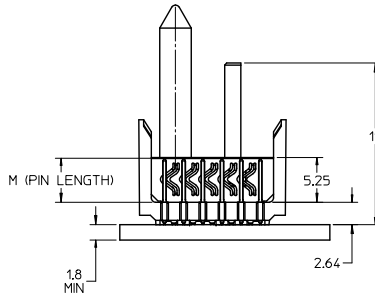
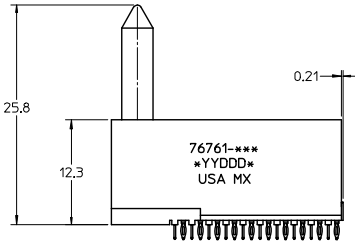
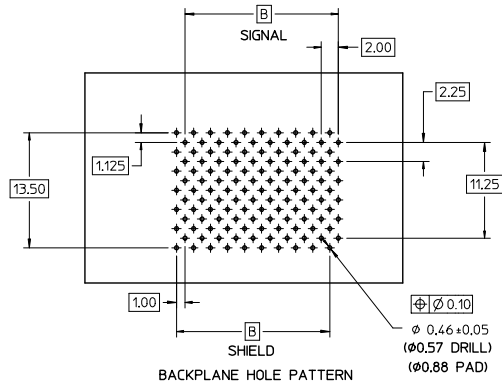
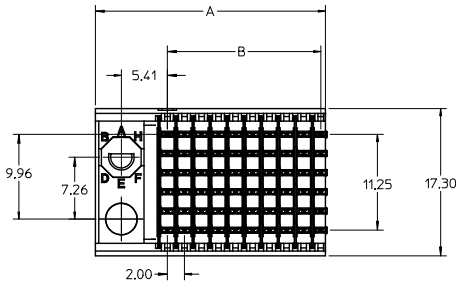
Stocking Distributor

Click to view price, real time Inventory, Delivery & Lifecycle Information:

[Molex Connector Corporation](#)
[0767619011](#)

For any questions, you can email us directly:

sales@integrated-circuit.com



NOTES:

1. MATERIALS:
HOUSING - LIQUID CRYSTAL POLYMER (LCP)
GLASS FILLED, UL94V-0, BLACK
SIGNAL PIN AND SHIELD - COPPER ALLOY
2. FINISHES:
CONTACT AREA - SELECTIVE GOLD (Au)
PCB TAILS - SELECTIVE MATTE TIN (Sn)
3. THIS PART CONFORMS TO MOLEX PRODUCT SPECIFICATION PS-74031-999.
4. FOR MIXED CONTACT LENGTH CONTACT MOLEX FOR AVAILABILITY.
5. FOR SPECIFIC MATERIAL NUMBERS AND MATING INFORMATION REFER TO SHEET 2.
6. PACKAGE PER PK-74058-003.
7. ASSEMBLY WILL BE MARKED WITH P/N AND DATE CODE WITH LASER MARK ON SIDE OF HOUSING
8. MAPS (MOLEX ADVANCED PLATING SYSTEM).

THE PRIMARY CARTON WITH A LABEL STATING "ELV AND RoHS COMPLAINT" IS LEAD FREE. CARTONS WITHOUT THIS LABEL MAY CONTAIN LEAD.

LEAD FREE CONVERSION EC NO: UCP/2015-0687 DRAWING NO: 2012/08/27 CHK'D BY: CHKORWOLFE 2012/11/26 APPR: SMILLER 2012/12/14 REV:	QUALITY SYMBOLS ∇=0 ∇=0 ∇=0	GENERAL TOLERANCES (UNLESS SPECIFIED)		DIMENSION STYLE MM ONLY		SCALE 2:1	DESIGN UNITS METRIC	THIRD ANGLE PROJECTION		
		4 PLACES ± --- ± ---	3 PLACES ± --- ± ---	2 PLACES ± 0.15 ± ---	1 PLACE ± 0.25 ± ---	0 PLACE ± --- ± ---	DRAWN BY JJONI/AK	DATE 2008/07/09	CHECKED BY JJONI/AK	DATE 2008/07/09
		ANGULAR ± 1/2°		MATERIAL NO. SEE SHT.2		DOCUMENT NO. SD-76761-001		TITLE VHDM H-SERIES 6 ROW BACKPLANE SIGNAL END		
		DRAFT WHERE APPLICABLE MUST REMAIN WITHIN DIMENSIONS		THIS DRAWING CONTAINS INFORMATION THAT IS PROPRIETARY TO MOLEX INCORPORATED AND SHOULD NOT BE USED WITHOUT WRITTEN PERMISSION		SHEET NO. 1 OF 2				

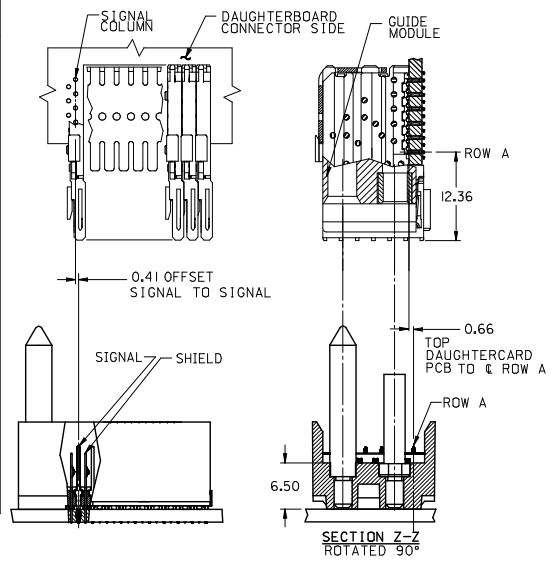
M/N 76761-()	**0*	**1*	**2*	**3*	**4*	**5*	**6*	**7*	**8*
KEYING PIN ORIENTATION									

76761 - * * * * *

NUMBER OF COLUMNS/PLATING
 10 = 10 COLUMN MATTE TIN (FORMERLY TIN/LEAD)
 25 = 25 COLUMN MATTE TIN (FORMERLY TIN/LEAD)
 60 = 10 COLUMN MATTE TIN (MAPS)
 75 = 25 COLUMN MATTE TIN (MAPS)
 90 = 10 COLUMN MATTE TIN
 85 = 25 COLUMN MATTE TIN

CONTACT LOAD (PIN LENGTH)
 1 & 6 = 4.75
 2 & 7 = 6.25
 3 & 8 = 4.25
 4 & 9 = 5.15

PART NUMBER	COLUMN	NUMBER OF SIGNAL PIN	NUMBER OF SHIELD	A	B	M	GOLD THICKNESS MICROMETER	TIN THICKNESS MICROMETER
76761-60*1	10	60	10	27.00	18.00	4.75	0.25 MAPS	0.76-1.52
76761-#0*1							0.76	
76761-#0*6							1.27	
76761-75*1	25	150	25	57.00	48.00	6.25	0.25 MAPS	0.76-1.52
76761-#5*1							0.76	
76761-#5*6							1.27	
76761-60*2	10	60	10	27.00	18.00	4.75	0.25 MAPS	0.76-1.52
76761-#0*2							0.76	
76761-#0*7							1.27	
76761-75*2	25	150	25	57.00	48.00	6.25	0.25 MAPS	0.76-1.52
76761-#5*2							0.76	
76761-#5*7							1.27	
76761-60*3	10	60	10	27.00	18.00	4.25	0.25 MAPS	0.76-1.52
76761-#0*3							0.76	
76761-#0*8							1.27	
76761-75*3	25	150	25	57.00	48.00	6.25	0.25 MAPS	0.76-1.52
76761-#5*3							0.76	
76761-#5*8							1.27	
76761-60*4	10	60	10	27.00	18.00	5.15	0.25 MAPS	0.76-1.52
76761-#0*4							0.76	
76761-#0*9							1.27	
76761-75*4	25	150	25	57.00	48.00	6.25	0.25 MAPS	0.76-1.52
76761-#5*4							0.76	
76761-#5*9							1.27	



SEE SHEET 1 EC NO: UCP2015-0687 DRAWING NO: 2012/08/27 CHKD: MULLER APPR: MILLER DATE: 2012/11/26 DATE: 2012/11/26	QUALITY SYMBOLS 	GENERAL TOLERANCES (UNLESS SPECIFIED)		DIMENSION STYLE		SCALE	DESIGN UNITS	THIRD ANGLE PROJECTION	
				MM ONLY		1:1	METRIC		
		4 PLACES	±	---	---	DRAWN BY	DATE	TITLE	
		3 PLACES	±	---	---	JJONI/AK	2008/07/09	VHDM H-SERIES 6 ROW BACKPLANE SIGNAL END	
		2 PLACES	±	0.15	---	JJONI/AK	2008/07/09	molex	
1 PLACE	±	0.25	---	APPROVED BY	DATE	DOCUMENT NO.	SHEET NO.		
0 PLACE	±	---	---	MILLER	2010/03/09	SD-76761-001	2 OF 2		
ANGULAR ±1/2°		SEE TABLE		THIS DRAWING CONTAINS INFORMATION THAT IS PROPRIETARY TO MOLEX INCORPORATED AND SHOULD NOT BE USED WITHOUT WRITTEN PERMISSION					
DRAFT WHERE APPLICABLE MUST REMAIN WITHIN DIMENSIONS		SIZE							