

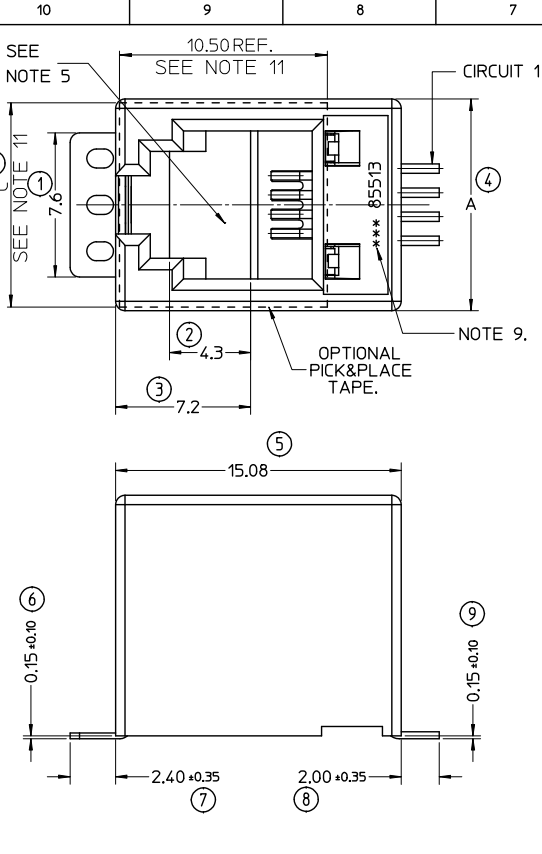
Excellent Integrated System Limited

Stocking Distributor

Click to view price, real time Inventory, Delivery & Lifecycle Information:

[Molex Connector Corporation](#)
[0855135012](#)

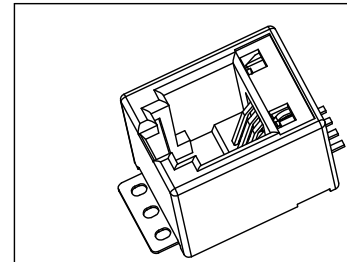
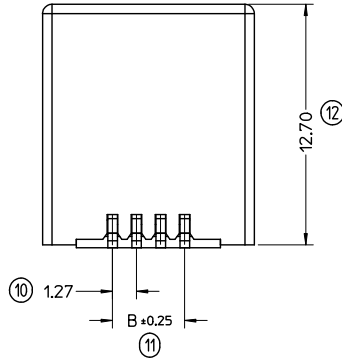
For any questions, you can email us directly:
sales@integrated-circuit.com



NOTES:

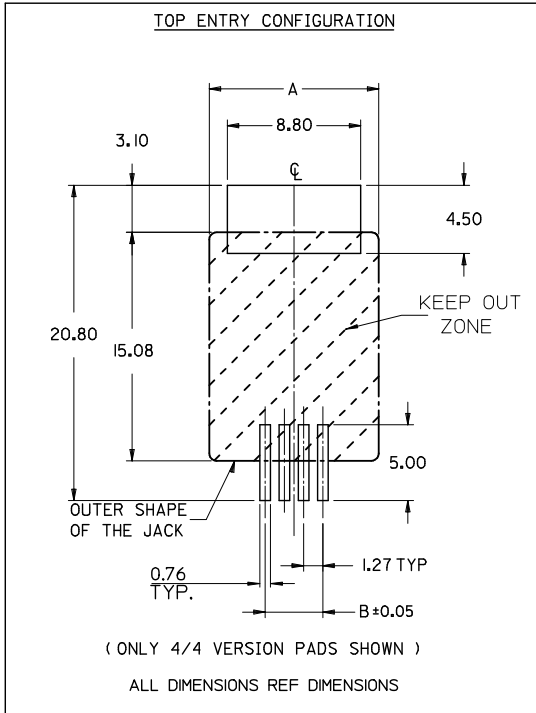
- 1- MATERIAL:
-HOUSING: LCP GLASS FILLED UL 94-V0, COLOUR BLACK,
-TERMINAL: COPPER ALLOY PLATED WITH:
BASE FINISH: NICKEL
CONTACT SURFACE FINISH:
GOLD,
OR
GOLD FLASH OVER PALLADIUM NICKEL.
EXCEEDS PRODUCT REQUIREMENTS BASED ON PS-85513-002
- 2- JACK FOR MATING WITH IEC 60603-7 AND TIA-1096-A PLUGS (MOLEX 90075 SERIES).
- 3- PRODUCT SPECIFICATION: PS-85513-002.
- 4- PACKAGING SPECIFICATION (SEE CHART SHEET2):
PK-85513-001 SHEET 3 (BLISTER ON REEL 13')
PK-85133-001 SHEET 1 (BLISTER ON REEL 15')
PK-85513-001 SHEET 2 (BLISTER ON REEL 22')
- 5- FLAT SURFACE ON BOTH SIDES FOR PICK AND PLACE PURPOSE
- (13) 6- COPLANARITY OF LEADS AND TABS: 0.10 MAX
- 7- SEE RECOMMENDED PCB LAYOUT ON SHEET 2
- 8- FOR DRAWING PURPOSE, ONLY 4/4 VERSION SHOWN.
- 9- MANUFACTURING ID CAN BE EITHER MXF, MG OR MXL
- 10- APPLICATION SPEC AS-85513-001
- 11- OPTIONAL PICK&PLACE TAPE

LAST INSPECTION No: 14



REMOVED OPTION UPDATE DIM C EC NO: IPG2015-0192 DRAWN: KEARNS 2014/05/06 CHKD: JEFFIN 2014/08/29 APPR: STORFFIN	QUALITY SYMBOLS ▽=0 ▽=0	GENERAL TOLERANCES (UNLESS SPECIFIED)		DIMENSION STYLE MM ONLY		SCALE 5:1	DESIGN UNITS METRIC	THIRD ANGLE PROJECTION	
		4 PLACES ± --- ± ---	3 PLACES ± --- ± ---	2 PLACES ± 0.15 ± ---	1 PLACE ± 0.25 ± ---	ANGULAR ± 2 °	DRAWN BY D BYRNES	DATE 2006/08/17	TITLE LOW PROFILE TOP ENTRY TRUE SMT JACK WITH P&P SURFACE (SHORT VERSION)
H	REV	DRAFT WHERE APPLICABLE MUST REMAIN WITHIN DIMENSIONS		MATERIAL NO. SEE SHEET 2		DOCUMENT NO. SD-85513-010		SHEET NO. 1 OF 2	
		THIS DRAWING CONTAINS INFORMATION THAT IS PROPRIETARY TO MOLEX INCORPORATED AND SHOULD NOT BE USED WITHOUT WRITTEN PERMISSION							

RECOMMENDED PCB LAYOUTS
(SEE FROM COMPONENT SIDE)



PART No.	PICK&PLACE TAPE	HOUSING SIZE	LOADED CKTS	TOOLED	A	B	C	PACKAGING	PACKAGING SPEC.
85513-5013	NO	8	8	YES	15.24	8.89	14.40 +2 -4	BLISTER ON REEL 13'	PK-85513-001 SHEET 3
85513-5113	YES			YES				BLISTER ON REEL 15'	PK-85513-001 SHEET 1
85513-5001	NO			YES				BLISTER ON REEL 22'	PK-85513-001 SHEET 2
85513-5009	NO			YES					
85513-5109	YES	6	6	YES	13.21	6.35	12.40 +2 -4	BLISTER ON REEL 13'	PK-85513-001 SHEET 3
85513-5014	NO			YES				BLISTER ON REEL 15'	PK-85513-001 SHEET 1
85513-5114	YES			YES				BLISTER ON REEL 22'	PK-85513-001 SHEET 2
85513-5002	NO			YES					
85513-5010	NO	6	4	YES	13.21	3.81	12.40 +2 -4	BLISTER ON REEL 13'	PK-85513-001 SHEET 3
85513-5115	YES			YES				BLISTER ON REEL 15'	PK-85513-001 SHEET 1
85513-5003	NO			YES				BLISTER ON REEL 22'	PK-85513-001 SHEET 2
85513-5011	NO			YES					
85513-5111	YES	4	4	YES	11.18	3.81	10.40 +4 -2	BLISTER ON REEL 13'	PK-85513-001 SHEET 3
85513-5016	NO			YES				BLISTER ON REEL 15'	PK-85513-001 SHEET 1
85513-5116	YES			YES				BLISTER ON REEL 22'	PK-85513-001 SHEET 2
85513-5004	NO			YES					
85513-5012	NO			YES					
85513-5112	YES			YES					

SEE SHEET 1 EC NO: IFG2015-0192 DRAWN: KEARNS 2014/05/06 CHKD: APPR: STGRIFFIN 2014/08/29	QUALITY SYMBOLS	GENERAL TOLERANCES (UNLESS SPECIFIED)	DIMENSION STYLE	SCALE	DESIGN UNITS	THIRD ANGLE PROJECTION
	▽=0 ▽=0	4 PLACES ± --- ± --- 3 PLACES ± --- ± --- 2 PLACES ± 0.15 ± --- 1 PLACE ± 0.25 ± --- ANGULAR ± 2 °	MM ONLY	1:1	METRIC	DRAWN BY: DBYRNES 2006/08/17 CHECKED BY: EOMAHONY 2006/08/17 APPROVED BY: EOMAHONY 2006/08/17 MATERIAL NO. SEE CHART DOCUMENT NO. SD-85513-010 SHEET NO. 2 OF 2
DRAFT WHERE APPLICABLE MUST REMAIN WITHIN DIMENSIONS		LOW PROFILE TOP ENTRY TRUE SMT JACK WITH P&P SURFACE(SHORT VERSION) MOLEX INCORPORATED				
THIS DRAWING CONTAINS INFORMATION THAT IS PROPRIETARY TO MOLEX INCORPORATED AND SHOULD NOT BE USED WITHOUT WRITTEN PERMISSION						