

Excellent Integrated System Limited

Stocking Distributor

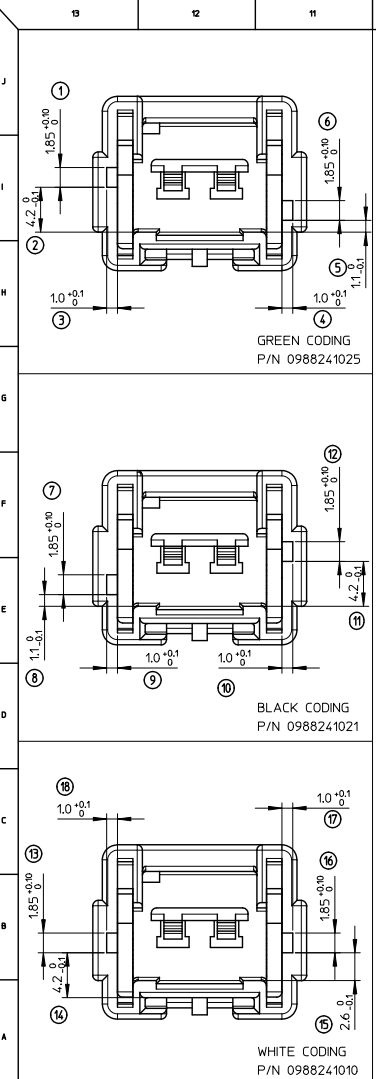
Click to view price, real time Inventory, Delivery & Lifecycle Information:

[Molex Connector Corporation](#)

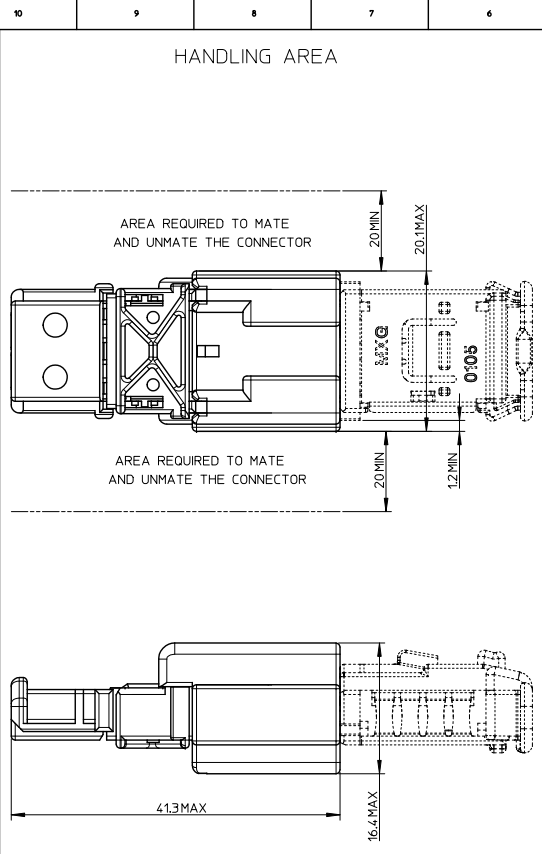
[0988241025](#)

For any questions, you can email us directly:

sales@integrated-circuit.com

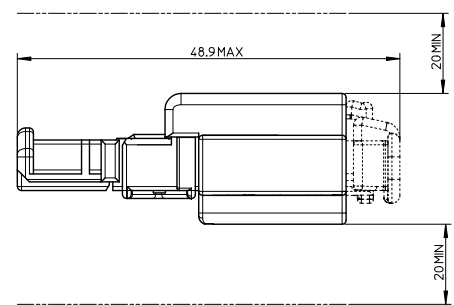


CODING 4:1

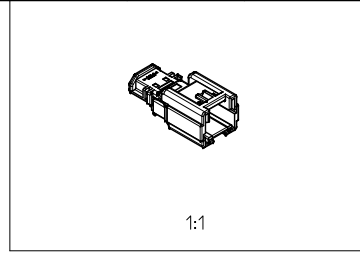
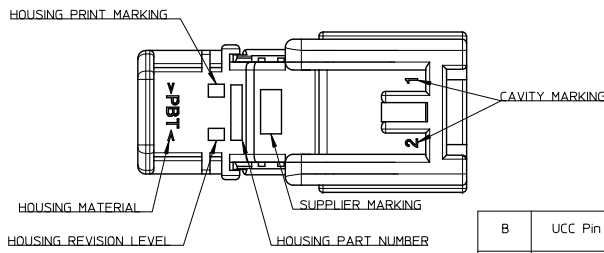
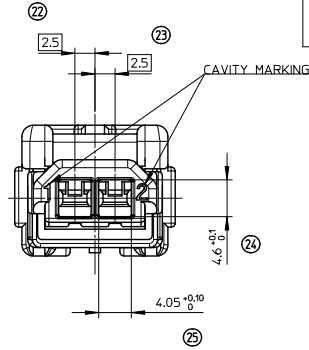
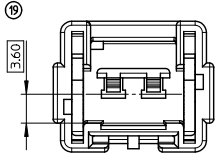
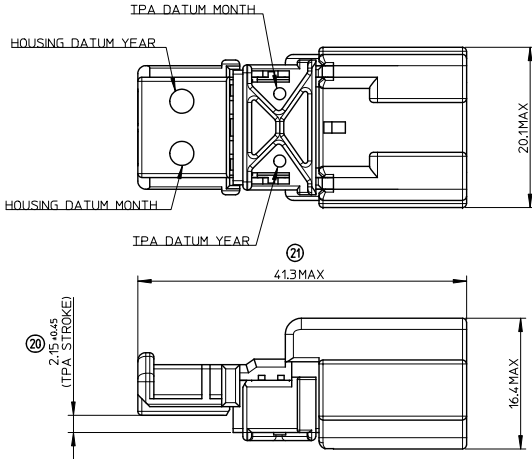


- NOTE : 1 - The using conditions of the hinge are shown in the MOLEX specification n°AS-98821-001.
- 2 - Mate terminal used : SICMA3 2.8mm
- 3 - Female connector will mate with male connector P/N 09881910xx

AREA REQUIRED WHEN THE CONNECTOR IS MATED



FIRST RELEASE EC NO: GZ010-0051 DRWNL/POU/HAUD 2009/03/04 CHKD: JDC/CLS 2010/07/07 APPR: P/LESSIS 2010/09/02	DESCRIPTION UCC PIN CONN UNSEALD W/ 2CKT	GENERAL TOLERANCES (UNLESS SPECIFIED)		DIMENSION STYLE MM ONLY	SCALE 3:1	DESIGN UNITS METRIC	THIRD ANGLE PROJECTION
		1 PLACES ± --- ± --- 2 PLACES ± 0.05 ± --- 3 PLACES ± 0.1 ± --- 4 PLACES ± 0.1 ± --- ANGULAR ± 1 °	DRAWN BY VLOUVANCOUR 2008/12/02 CHECKED BY YIGEL 2008/12/03 APPROVED BY JDC/CLS 2008/12/04	DATE 2008/12/02 DATE 2008/12/03 DATE 2008/12/04	TITLE UCC PIN CONN UNSEALD W/ 2CKT	MOLEX INCORPORATED	DOCUMENT NO. SD-98824-002
DRAFT WHERE APPLICABLE MUST REMAIN WITHIN DIMENSIONS		SEE CHART		THIS DRAWING CONTAINS INFORMATION THAT IS PROPRIETARY TO MOLEX INCORPORATED AND SHOULD NOT BE USED WITHOUT WRITTEN PERMISSION			



BLACK CODING (P/N 0988241021) IS SHOWN.

B	UCC Pin Conn Blue TPA 2Ckt	0988240026	Blue	POLYAMIDE (PA 6.6 20%FG)	0.577 g
A	UCC Pin Conn 2.8 2Ckt	0988240025	Green	POLYESTER (PBT)	4.627 g
		0988240021	Black		
		0988240010	White		
Idem	Description	Part-Number	Color	Raw Material	Weight effective
FIRST RELEASE IEC NO: G2010-0051 DRAWN: POLYCHAU CHKD: JDUCLLOS APPR: JDUCLLOS 2008/03/04 2010/07/07 2010/09/07		GENERAL TOLERANCES (UNLESS SPECIFIED) DIMENSION STYLE: MM ONLY SCALE: 4:1 DESIGN UNITS: METRIC THIRD ANGLE PROJECTION		TITLE: UCC PIN CONN UNSEALD W/ 2CKT MOLEX INCORPORATED SD-98824-002 SHEET NO. 2 OF 2	
1 PLACES ± 0.15 2 PLACES ± 0.05 3 PLACES ± 0.05 4 PLACES ± 0.15 ANGULAR ± 1°		DRAWN BY: VLOUVANCOUR CHECKED BY: YIGEL APPROVED BY: JDUCLLOS DATE: 2008/12/02 DATE: 2008/12/03 DATE: 2008/12/04		MATERIAL NO. SEE CHART DOCUMENT NO. SD-98824-002	
DRAFT WHERE APPLICABLE MUST REMAIN WITHIN DIMENSIONS THIS DRAWING CONTAINS INFORMATION THAT IS PROPRIETARY TO MOLEX INCORPORATED AND SHOULD NOT BE USED WITHOUT WRITTEN PERMISSION					