



Distributor of Molex Connector Corporation: Excellent Integrated System Limited
Datasheet of 0386303104 - Connector Barrier Block Strip 4 Circuit 0.438" (11.12mm)

Contact us: sales@integrated-circuit.com Website: www.integrated-circuit.com

Excellent Integrated System Limited

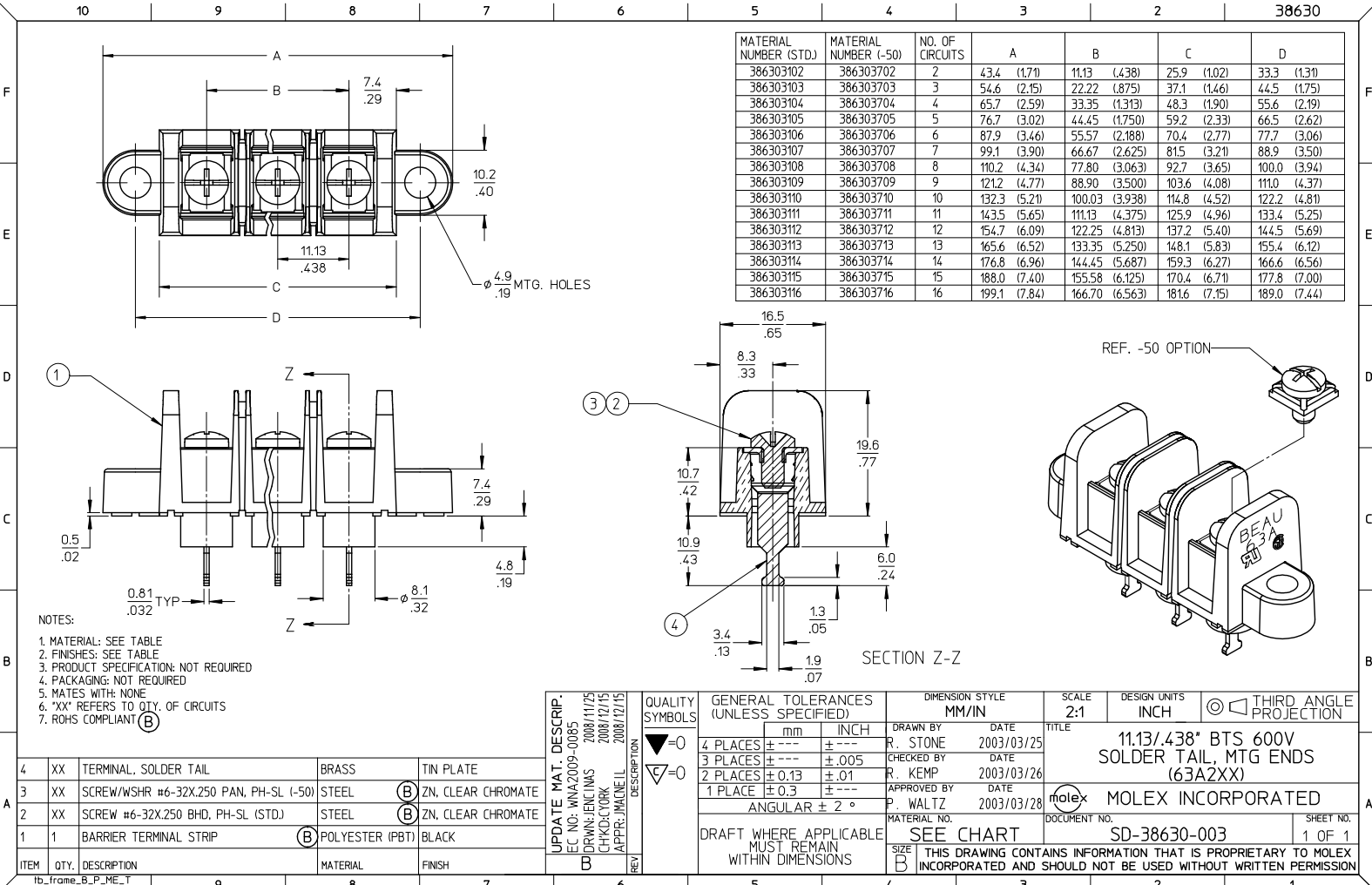
Stocking Distributor

Click to view price, real time Inventory, Delivery & Lifecycle Information:

[Molex Connector Corporation](#)
[0386303104](#)

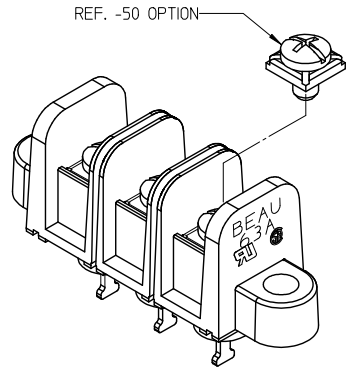
For any questions, you can email us directly:

sales@integrated-circuit.com



MATERIAL NUMBER (STD.)	MATERIAL NUMBER (-50)	NO. OF CIRCUITS	A	B	C	D
386303102	386303702	2	43.4 (1.71)	11.13 (4.38)	25.9 (1.02)	33.3 (1.31)
386303103	386303703	3	54.6 (2.15)	22.22 (8.75)	37.1 (1.46)	44.5 (1.75)
386303104	386303704	4	65.7 (2.59)	33.35 (1.313)	48.3 (1.90)	55.6 (2.19)
386303105	386303705	5	76.7 (3.02)	44.45 (1.750)	59.2 (2.33)	66.5 (2.62)
386303106	386303706	6	87.9 (3.46)	55.57 (2.188)	70.4 (2.77)	77.7 (3.06)
386303107	386303707	7	99.1 (3.90)	66.67 (2.625)	81.5 (3.21)	88.9 (3.50)
386303108	386303708	8	110.2 (4.34)	77.80 (3.063)	92.7 (3.65)	100.0 (3.94)
386303109	386303709	9	121.2 (4.77)	88.90 (3.500)	103.6 (4.08)	111.0 (4.37)
386303110	386303710	10	132.3 (5.21)	100.03 (3.938)	114.8 (4.52)	122.2 (4.81)
386303111	386303711	11	143.5 (5.65)	111.13 (4.375)	125.9 (4.96)	133.4 (5.25)
386303112	386303712	12	154.7 (6.09)	122.25 (4.813)	137.2 (5.40)	144.5 (5.69)
386303113	386303713	13	165.6 (6.52)	133.35 (5.250)	148.1 (5.83)	155.4 (6.12)
386303114	386303714	14	176.8 (6.96)	144.45 (5.687)	159.3 (6.27)	166.6 (6.56)
386303115	386303715	15	188.0 (7.40)	155.58 (6.125)	170.4 (6.71)	177.8 (7.00)
386303116	386303716	16	199.1 (7.84)	166.70 (6.563)	181.6 (7.15)	189.0 (7.44)

- NOTES:
1. MATERIAL: SEE TABLE
 2. FINISHES: SEE TABLE
 3. PRODUCT SPECIFICATION: NOT REQUIRED
 4. PACKAGING: NOT REQUIRED
 5. MATES WITH: NONE
 6. "XX" REFERS TO QTY. OF CIRCUITS
 7. ROHS COMPLIANT (B)



GENERAL TOLERANCES (UNLESS SPECIFIED)	DIMENSION STYLE		SCALE	DESIGN UNITS	THIRD ANGLE PROJECTION
	mm	INCH			
4 PLACES ± .005	± .005	± .005	2:1	INCH	THIRD ANGLE PROJECTION
3 PLACES ± .01	± .01	± .01			
2 PLACES ± 0.13	± .01	± .01	DRAWN BY: R. STONE DATE: 2003/03/25 CHECKED BY: R. KEMP DATE: 2003/03/26 APPROVED BY: P. WALTZ DATE: 2003/03/28 MATERIAL NO. SEE CHART DOCUMENT NO. SD-38630-003 SHEET NO. 1 OF 1		
1 PLACE ± 0.3	± .01	± .01			
ANGULAR ± 2°					
DRAFT WHERE APPLICABLE MUST REMAIN WITHIN DIMENSIONS					

ITEM	QTY.	DESCRIPTION	MATERIAL	FINISH
4	XX	TERMINAL, SOLDER TAIL	BRASS	TIN PLATE
3	XX	SCREW/WSHR #6-32X.250 PAN, PH-SL (-50)	STEEL (B)	ZN, CLEAR CHROMATE
2	XX	SCREW #6-32X.250 BHD, PH-SL (STD.)	STEEL (B)	ZN, CLEAR CHROMATE
1	1	BARRIER TERMINAL STRIP	(B) POLYESTER (PBT)	BLACK

UPDATE MAT. DESCRIP.
 EC NO: WNA2009-0085
 DRAWING ENCLAS 2008/11/25
 CHKDC: TORR 2008/12/15
 APPR: J.MAGNELL 2008/12/15