



**Distributor of Molex Connector Corporation: Excellent Integrated System Limited**

Datasheet of 0386303312 - Connector Barrier Block Strip 12 Circuit 0.438" (11.12mm)

Contact us: [sales@integrated-circuit.com](mailto:sales@integrated-circuit.com) Website: [www.integrated-circuit.com](http://www.integrated-circuit.com)

---

## **Excellent Integrated System Limited**

Stocking Distributor

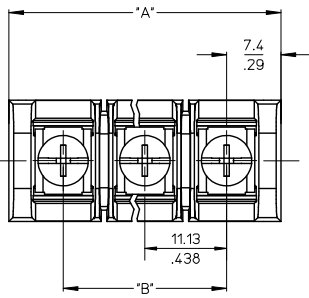
Click to view price, real time Inventory, Delivery & Lifecycle Information:

[Molex Connector Corporation](#)  
[0386303312](#)

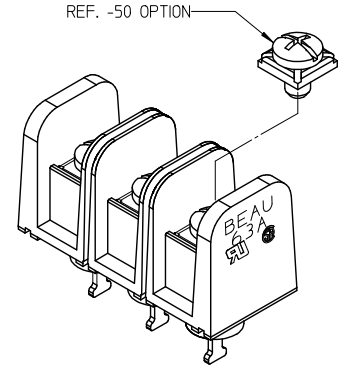
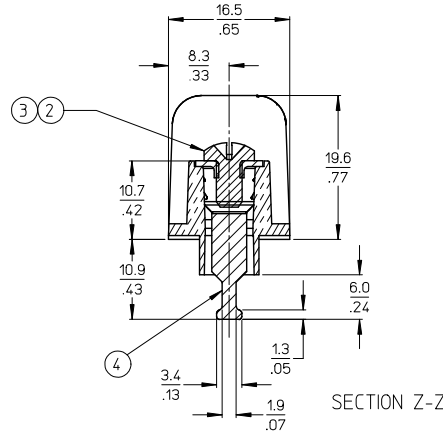
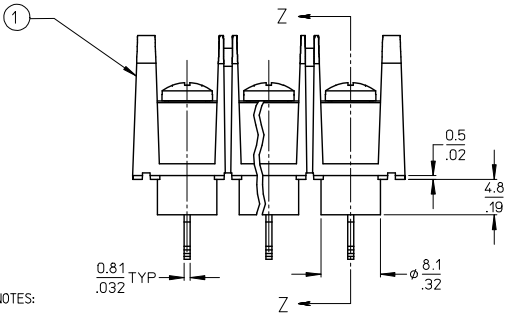
For any questions, you can email us directly:

[sales@integrated-circuit.com](mailto:sales@integrated-circuit.com)

10 9 8 7 6 5 4 3 2 38630



MATERIAL NUMBER (STD.)	MATERIAL NUMBER (-50)	NO. OF CIRCUITS	A	B
386303302	386303902	2	25.9 (1.02)	11.13 (4.38)
386303303	386303903	3	37.1 (1.46)	22.22 (8.75)
386303304	386303904	4	48.3 (1.90)	33.35 (1.313)
386303305	386303905	5	59.2 (2.33)	44.45 (1.750)
386303306	386303906	6	70.4 (2.77)	55.57 (2.188)
386303307	386303907	7	81.5 (3.21)	66.67 (2.625)
386303308	386303908	8	92.7 (3.65)	77.80 (3.063)
386303309	386303909	9	103.6 (4.08)	88.90 (3.500)
386303310	386303910	10	114.8 (4.52)	100.03 (3.938)
386303311	386303911	11	125.9 (4.96)	111.13 (4.375)
386303312	386303912	12	137.2 (5.40)	122.25 (4.813)
386303313	386303913	13	148.1 (5.83)	133.35 (5.250)
386303314	386303914	14	159.3 (6.27)	144.45 (5.687)
386303315	386303915	15	170.4 (6.71)	155.58 (6.125)
386303316	386303916	16	181.6 (7.15)	166.70 (6.563)



- NOTES:
1. MATERIAL: SEE TABLE
  2. FINISHES: SEE TABLE
  3. PRODUCT SPECIFICATION: NOT REQUIRED
  4. PACKAGING: NOT REQUIRED
  5. MATES WITH: NONE
  6. "XX" REFERS TO QTY. OF CIRCUITS
  7. ROHS COMPLIANT (B)

ITEM	QTY.	DESCRIPTION	MATERIAL	FINISH
4	XX	TERMINAL, SOLDER TAIL	BRASS	TIN PLATE
3	XX	SCREW/WSHR #6-32X.250 PAN, PH-SL (-50)	STEEL (B)	ZN, CLEAR CHROMATE
2	XX	SCREW #6-32X.250 BHD, PH-SL (STD.)	STEEL (B)	ZN, CLEAR CHROMATE
1	1	BARRIER TERMINAL STRIP	(B) POLYESTER (PBT)	BLACK

QUALITY SYMBOLS	GENERAL TOLERANCES (UNLESS SPECIFIED)		DIMENSION STYLE		SCALE	DESIGN UNITS	THIRD ANGLE PROJECTION
	mm	INCH	MM/IN	DATE	2:1	INCH	
▽=0	4 PLACES ± .005	± .0005	DRAWN BY	2003/03/25	TITLE	11.13/.438" BTS 600V SOLDER TAIL, NO MTG ENDS (63A2XX-C)	THIRD ANGLE PROJECTION
▽=0	3 PLACES ± .01	± .01	R. STONE	2003/03/26			
	2 PLACES ± 0.13	± .01	CHECKED BY	DATE	DRAWN BY	Molex	MOLEX INCORPORATED
	1 PLACE ± 0.3	± .01	R. KEMP	2003/03/26			
	ANGULAR ± 2°		APPROVED BY	DATE	MATERIAL NO.	DOCUMENT NO.	SHEET NO.
	DRAFT WHERE APPLICABLE MUST REMAIN WITHIN DIMENSIONS		P. WALTZ	2003/03/28	SEE CHART	SD-38630-004	1 OF 1
	SIZE B THIS DRAWING CONTAINS INFORMATION THAT IS PROPRIETARY TO MOLEX INCORPORATED AND SHOULD NOT BE USED WITHOUT WRITTEN PERMISSION						

1b\_frome\_B\_P\_ME\_T  
Rev. E 2006/04/15

9 8 7 6 5 4 3 2 1