



Distributor of Molex Connector Corporation: Excellent Integrated System Limited
Datasheet of 0386303909 - Connector Barrier Block Strip 9 Circuit 0.438" (11.12mm)

Contact us: sales@integrated-circuit.com Website: www.integrated-circuit.com

Excellent Integrated System Limited

Stocking Distributor

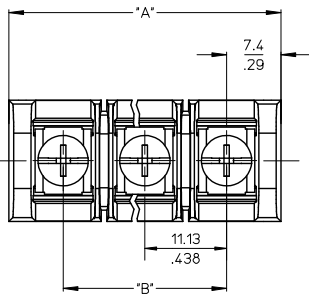
Click to view price, real time Inventory, Delivery & Lifecycle Information:

[Molex Connector Corporation](#)
[0386303909](#)

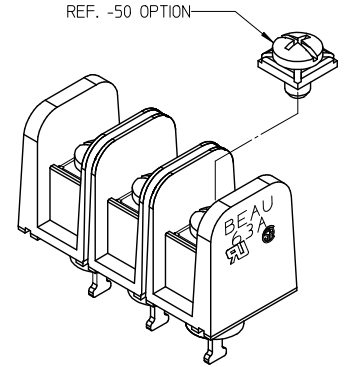
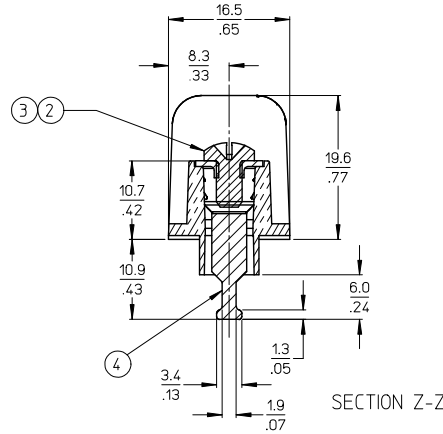
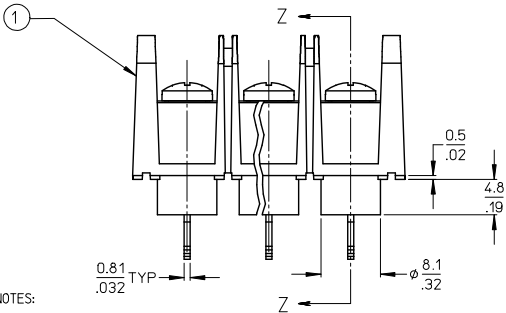
For any questions, you can email us directly:

sales@integrated-circuit.com

10 9 8 7 6 5 4 3 2 38630



MATERIAL NUMBER (STD.)	MATERIAL NUMBER (-50)	NO. OF CIRCUITS	A	B
386303302	386303902	2	25.9 (1.02)	11.13 (.438)
386303303	386303903	3	37.1 (1.46)	22.22 (.875)
386303304	386303904	4	48.3 (1.90)	33.35 (1.313)
386303305	386303905	5	59.2 (2.33)	44.45 (1.750)
386303306	386303906	6	70.4 (2.77)	55.57 (2.188)
386303307	386303907	7	81.5 (3.21)	66.67 (2.625)
386303308	386303908	8	92.7 (3.65)	77.80 (3.063)
386303309	386303909	9	103.6 (4.08)	88.90 (3.500)
386303310	386303910	10	114.8 (4.52)	100.03 (3.938)
386303311	386303911	11	125.9 (4.96)	111.13 (4.375)
386303312	386303912	12	137.2 (5.40)	122.25 (4.813)
386303313	386303913	13	148.1 (5.83)	133.35 (5.250)
386303314	386303914	14	159.3 (6.27)	144.45 (5.687)
386303315	386303915	15	170.4 (6.71)	155.58 (6.125)
386303316	386303916	16	181.6 (7.15)	166.70 (6.563)



- NOTES:
1. MATERIAL: SEE TABLE
 2. FINISHES: SEE TABLE
 3. PRODUCT SPECIFICATION: NOT REQUIRED
 4. PACKAGING: NOT REQUIRED
 5. MATES WITH: NONE
 6. *XX* REFERS TO QTY. OF CIRCUITS
 7. ROHS COMPLIANT (B)

ITEM	QTY.	DESCRIPTION	MATERIAL	FINISH
4	XX	TERMINAL, SOLDER TAIL	BRASS	TIN PLATE
3	XX	SCREW/WSHR #6-32X.250 PAN, PH-SL (-50)	STEEL (B)	ZN, CLEAR CHROMATE
2	XX	SCREW #6-32X.250 BHD, PH-SL (STD.)	STEEL (B)	ZN, CLEAR CHROMATE
1	1	BARRIER TERMINAL STRIP	(B) POLYESTER (PBT)	BLACK

QUALITY SYMBOLS	GENERAL TOLERANCES (UNLESS SPECIFIED)		DIMENSION STYLE		SCALE	DESIGN UNITS	THIRD ANGLE PROJECTION
	mm	INCH	MM/IN	DATE	2:1	INCH	
▽=0	4 PLACES ± .005	± .0005	DRAWN BY	2003/03/25	TITLE 11.13/.438" BTS 600V SOLDER TAIL, NO MTG ENDS (63A2XX-C)		
▽=0	3 PLACES ± .01	± .01	R. STONE	2003/03/26			
	2 PLACES ± 0.13	± .01	CHECKED BY		MATERIAL NO. DOCUMENT NO. SHEET NO. SEE CHART SD-38630-004 1 OF 1		
	1 PLACE ± 0.3	± .01	R. KEMP	2003/03/26			
	ANGULAR ± 2°		APPROVED BY	DATE	MATERIAL NO. DOCUMENT NO. SHEET NO. SEE CHART SD-38630-004 1 OF 1		
	DRAFT WHERE APPLICABLE MUST REMAIN WITHIN DIMENSIONS		P. WALTZ	2003/03/28			
			MATERIAL NO. DOCUMENT NO. SHEET NO. SEE CHART SD-38630-004 1 OF 1		THIS DRAWING CONTAINS INFORMATION THAT IS PROPRIETARY TO MOLEX INCORPORATED AND SHOULD NOT BE USED WITHOUT WRITTEN PERMISSION		
			MATERIAL NO. DOCUMENT NO. SHEET NO. SEE CHART SD-38630-004 1 OF 1				