



Distributor of Molex Connector Corporation: Excellent Integrated System Limited
Datasheet of 0386304803 - Connector Barrier Block Strip 3 Circuit 0.438" (11.12mm)

Contact us: sales@integrated-circuit.com Website: www.integrated-circuit.com

Excellent Integrated System Limited

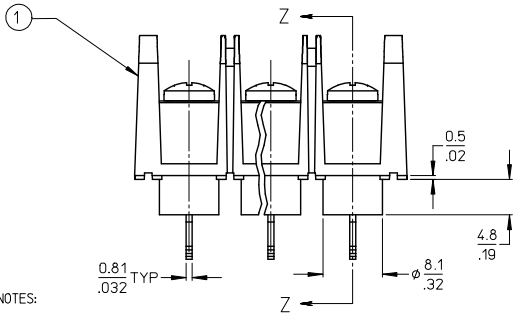
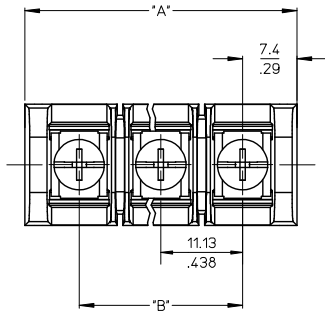
Stocking Distributor

Click to view price, real time Inventory, Delivery & Lifecycle Information:

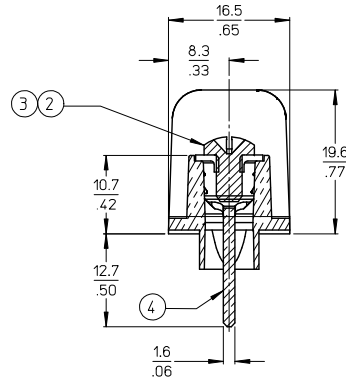
[Molex Connector Corporation](#)
[0386304803](#)

For any questions, you can email us directly:
sales@integrated-circuit.com

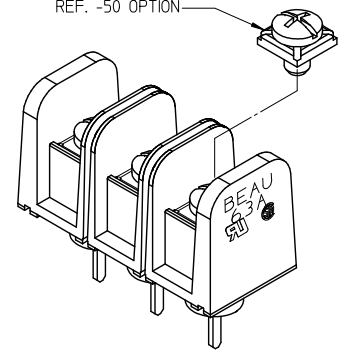
10 9 8 7 6 5 4 3 2 38630



- NOTES:
1. MATERIAL: SEE TABLE
 2. FINISHES: SEE TABLE
 3. PRODUCT SPECIFICATION: NOT REQUIRED
 4. PACKAGING: NOT REQUIRED
 5. MATES WITH: NONE
 6. *XX* REFERS TO QTY. OF CIRCUITS
 7. ROHS COMPLIANT



MATERIAL NUMBER (STD.)	MATERIAL NUMBER (-50)	NO. OF CIRCUITS	A	B
386304802	386305402	2	25.9 (1.02)	11.13 (4.38)
386304803	386305403	3	37.1 (1.46)	22.22 (8.75)
386304804	386305404	4	48.3 (1.90)	33.35 (1.313)
386304805	386305405	5	59.2 (2.33)	44.45 (1.750)
386304806	386305406	6	70.4 (2.77)	55.57 (2.188)
386304807	386305407	7	81.5 (3.21)	66.67 (2.625)
386304808	386305408	8	92.7 (3.65)	77.80 (3.063)
386304809	386305409	9	103.6 (4.08)	88.90 (3.500)
386304810	386305410	10	114.8 (4.52)	100.03 (3.938)
386304811	386305411	11	125.9 (4.96)	111.13 (4.375)
386304812	386305412	12	137.2 (5.40)	122.25 (4.813)
386304813	386305413	13	148.1 (5.83)	133.35 (5.250)
386304814	386305414	14	159.3 (6.27)	144.45 (5.687)
386304815	386305415	15	170.4 (6.71)	155.58 (6.125)
386304816	386305416	16	181.6 (7.15)	166.70 (6.563)



SECTION Z-Z

ITEM	QTY.	DESCRIPTION	MATERIAL	FINISH
4	XX	TERMINAL, WIRE WRAP, LONG, #6-32.	BRASS	TIN PLATE
3	XX	SCREW/WSHR #6-32X.250 PAN, PH-SL (-50)	STEEL	ZN, CLEAR CHROMATE
2	XX	SCREW #6-32X.250 BHD, PH-SL (STD.)	STEEL	ZN, CLEAR CHROMATE
1	1	BARRIER TERMINAL STRIP	POLYESTER (PBT)	BLACK

UPDATE MAT. DESCRIP. EC NO: WNA2009-0085 DRAWN: JEN CHAS 2008/11/25 CHECKED: TORR 2008/12/15 APPR: JIMONEIL 2008/12/15 DESCRIPTION REV:	QUALITY SYMBOLS ▽=0 ▽=0	GENERAL TOLERANCES (UNLESS SPECIFIED) <table border="1"> <thead> <tr> <th></th> <th>mm</th> <th>INCH</th> </tr> </thead> <tbody> <tr> <td>4 PLACES</td> <td>± .005</td> <td>± .0005</td> </tr> <tr> <td>3 PLACES</td> <td>± .01</td> <td>± .001</td> </tr> <tr> <td>2 PLACES</td> <td>± .03</td> <td>± .003</td> </tr> <tr> <td>1 PLACE</td> <td>± .06</td> <td>± .006</td> </tr> </tbody> </table> ANGULAR ± 2°		mm	INCH	4 PLACES	± .005	± .0005	3 PLACES	± .01	± .001	2 PLACES	± .03	± .003	1 PLACE	± .06	± .006	DIMENSION STYLE MM/IN DRAWN BY: R. STONE DATE: 2003/03/25 CHECKED BY: R. KEMP DATE: 2003/03/27 APPROVED BY: P. WALTZ DATE: 2003/03/28	SCALE 2:1 DESIGN UNITS INCH THIRD ANGLE PROJECTION	TITLE 11.13/.438" BTS, 600V PC TAIL W/STD TURRET & NO MTG ENDS (63A3XX-C)
		mm	INCH																	
4 PLACES	± .005	± .0005																		
3 PLACES	± .01	± .001																		
2 PLACES	± .03	± .003																		
1 PLACE	± .06	± .006																		
MATERIAL NO. SEE CHART SIZE B	DOCUMENT NO. SD-38630-006	SHEET NO. 1 OF 1	THIS DRAWING CONTAINS INFORMATION THAT IS PROPRIETARY TO MOLEX INCORPORATED AND SHOULD NOT BE USED WITHOUT WRITTEN PERMISSION																	

1b_frome_B_P_ME_T
Rev. E 2006/04/15