



Distributor of Molex Connector Corporation: Excellent Integrated System Limited
Datasheet of 0386305205 - Connector Barrier Block Strip 5 Circuit 0.438" (11.12mm)

Contact us: sales@integrated-circuit.com Website: www.integrated-circuit.com

Excellent Integrated System Limited

Stocking Distributor

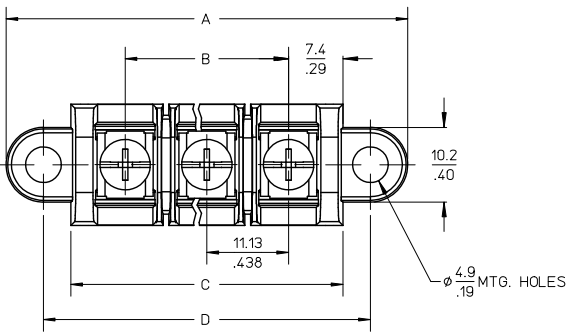
Click to view price, real time Inventory, Delivery & Lifecycle Information:

[Molex Connector Corporation](#)
[0386305205](#)

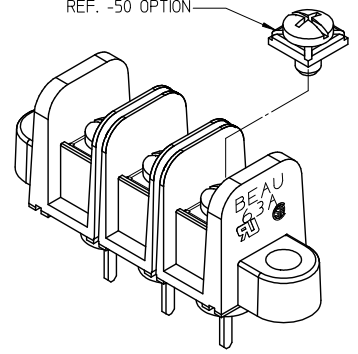
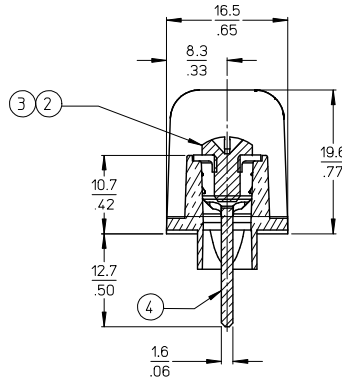
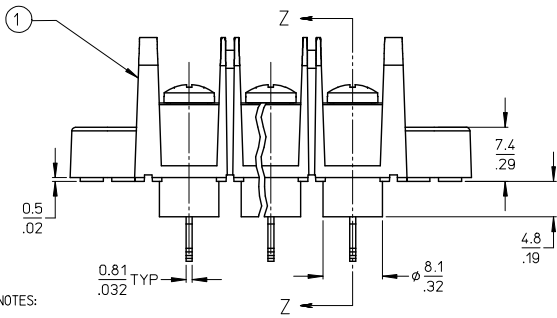
For any questions, you can email us directly:

sales@integrated-circuit.com

10 9 8 7 6 5 4 3 2 38630



MATERIAL NUMBER (STD.)	MATERIAL NUMBER (-50)	NO. OF CIRCUITS	A	B	C	D
386304602	386305202	2	43.4 (1.71)	11.13 (.438)	25.9 (1.02)	33.3 (1.31)
386304603	386305203	3	54.6 (2.15)	22.22 (.875)	37.1 (1.46)	44.5 (1.75)
386304604	386305204	4	65.7 (2.59)	33.35 (1.313)	48.3 (1.90)	55.6 (2.19)
386304605	386305205	5	76.7 (3.02)	44.45 (1.750)	59.2 (2.33)	66.5 (2.62)
386304606	386305206	6	87.9 (3.46)	55.57 (2.188)	70.4 (2.77)	77.7 (3.06)
386304607	386305207	7	99.1 (3.90)	66.67 (2.625)	81.5 (3.21)	88.9 (3.50)
386304608	386305208	8	110.2 (4.34)	77.80 (3.063)	92.7 (3.65)	100.0 (3.94)
386304609	386305209	9	121.2 (4.77)	88.90 (3.500)	103.6 (4.08)	111.0 (4.37)
386304610	386305210	10	132.3 (5.21)	100.03 (3.938)	114.8 (4.52)	122.2 (4.81)
386304611	386305211	11	143.5 (5.65)	111.13 (4.375)	125.9 (4.96)	133.4 (5.25)
386304612	386305212	12	154.7 (6.09)	122.25 (4.813)	137.2 (5.40)	144.5 (5.69)
386304613	386305213	13	165.6 (6.52)	133.35 (5.250)	148.1 (5.83)	155.4 (6.12)
386304614	386305214	14	176.8 (6.96)	144.45 (5.687)	159.3 (6.27)	166.6 (6.56)
386304615	386305215	15	188.0 (7.40)	155.58 (6.125)	170.4 (6.71)	177.8 (7.00)
386304616	386305216	16	199.1 (7.84)	166.70 (6.563)	181.6 (7.15)	189.0 (7.44)



- NOTES:
1. MATERIAL: SEE TABLE
 2. FINISHES: SEE TABLE
 3. PRODUCT SPECIFICATION: NOT REQUIRED
 4. PACKAGING: NOT REQUIRED
 5. MATES WITH: NONE
 6. "XX" REFERS TO QTY. OF CIRCUITS
 7. ROHS COMPLIANT (B)

SECTION Z-Z

ITEM	QTY.	DESCRIPTION	MATERIAL	FINISH
4	XX	TERMINAL, WIRE WRAP, LONG, #6-32.	BRASS	TIN PLATE
3	XX	SCREW/WSHR #6-32X.250 PAN, PH-SL (-50)	STEEL (B)	ZN, CLEAR CHROMATE
2	XX	SCREW #6-32X.250 BHD, PH-SL (STD.)	STEEL (B)	ZN, CLEAR CHROMATE
1	1	BARRIER TERMINAL STRIP	(B) POLYESTER (PBT)	BLACK

UPDATE MAT. DESCRIP. EC NO: WNA2009-0085 DRAWING: JEN/MS 2008/11/25 CHKD: C/ORK 2008/12/15 APPR: J/MAGNELL 2008/12/15 REV: DESCRIPTION	QUALITY SYMBOLS	GENERAL TOLERANCES (UNLESS SPECIFIED)	DIMENSION STYLE	SCALE	DESIGN UNITS	THIRD ANGLE PROJECTION														
	▽=0 ▽=0	<table border="1"> <thead> <tr> <th></th> <th>mm</th> <th>INCH</th> </tr> </thead> <tbody> <tr> <td>4 PLACES</td> <td>± .13</td> <td>± .005</td> </tr> <tr> <td>3 PLACES</td> <td>± .13</td> <td>± .01</td> </tr> <tr> <td>2 PLACES</td> <td>± .13</td> <td>± .01</td> </tr> <tr> <td>1 PLACE</td> <td>± .13</td> <td>± .01</td> </tr> </tbody> </table> ANGULAR ± 2°		mm	INCH	4 PLACES	± .13	± .005	3 PLACES	± .13	± .01	2 PLACES	± .13	± .01	1 PLACE	± .13	± .01	DRAWN BY: R. STONE DATE: 2003/03/25 CHECKED BY: R. KEMP DATE: 2003/03/26 APPROVED BY: P. WALTZ DATE: 2003/03/28	2:1	INCH
	mm	INCH																		
4 PLACES	± .13	± .005																		
3 PLACES	± .13	± .01																		
2 PLACES	± .13	± .01																		
1 PLACE	± .13	± .01																		
DRAFT WHERE APPLICABLE MUST REMAIN WITHIN DIMENSIONS		MATERIAL NO. SEE CHART SIZE B	TITLE: 11.13/.438" BTS, 600V PC TAIL W/STD TURRET & MTG ENDS (63A3XX) MOLEX INCORPORATED DOCUMENT NO. SD-38630-005 SHEET NO. 1 OF 1	THIS DRAWING CONTAINS INFORMATION THAT IS PROPRIETARY TO MOLEX INCORPORATED AND SHOULD NOT BE USED WITHOUT WRITTEN PERMISSION																