



**Distributor of Molex Connector Corporation: Excellent Integrated System Limited**  
Datasheet of 0386305404 - Connector Barrier Block Strip 4 Circuit 0.438" (11.12mm)

Contact us: [sales@integrated-circuit.com](mailto:sales@integrated-circuit.com) Website: [www.integrated-circuit.com](http://www.integrated-circuit.com)

---

## **Excellent Integrated System Limited**

Stocking Distributor

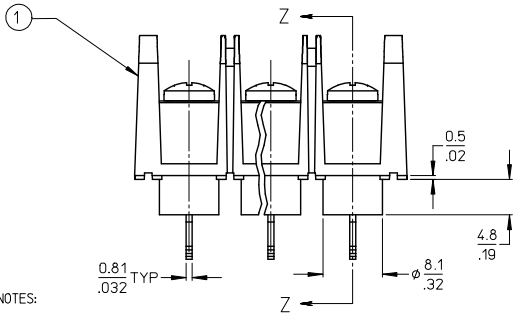
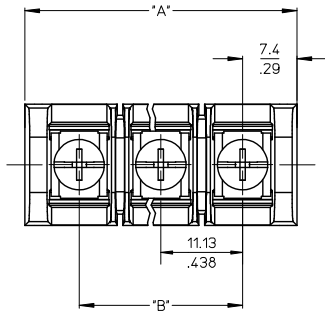
Click to view price, real time Inventory, Delivery & Lifecycle Information:

[Molex Connector Corporation](#)  
[0386305404](#)

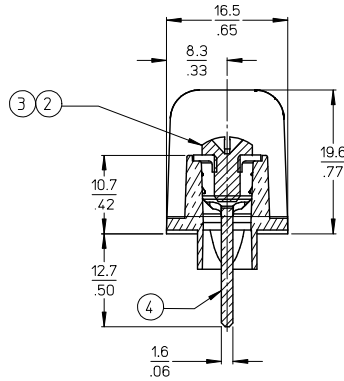
For any questions, you can email us directly:

[sales@integrated-circuit.com](mailto:sales@integrated-circuit.com)

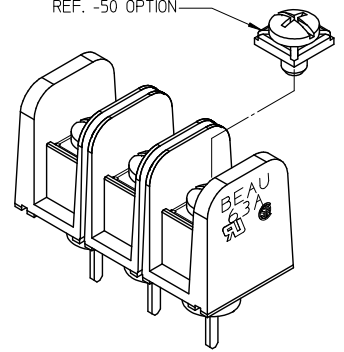
10 9 8 7 6 5 4 3 2 38630



- NOTES:
1. MATERIAL: SEE TABLE
  2. FINISHES: SEE TABLE
  3. PRODUCT SPECIFICATION: NOT REQUIRED
  4. PACKAGING: NOT REQUIRED
  5. MATES WITH: NONE
  6. \*XX\* REFERS TO QTY. OF CIRCUITS
  7. ROHS COMPLIANT



MATERIAL NUMBER (STD.)	MATERIAL NUMBER (-50)	NO. OF CIRCUITS	A	B
386304802	386305402	2	25.9 (1.02)	11.13 (4.38)
386304803	386305403	3	37.1 (1.46)	22.22 (8.75)
386304804	386305404	4	48.3 (1.90)	33.35 (1.313)
386304805	386305405	5	59.2 (2.33)	44.45 (1.750)
386304806	386305406	6	70.4 (2.77)	55.57 (2.188)
386304807	386305407	7	81.5 (3.21)	66.67 (2.625)
386304808	386305408	8	92.7 (3.65)	77.80 (3.063)
386304809	386305409	9	103.6 (4.08)	88.90 (3.500)
386304810	386305410	10	114.8 (4.52)	100.03 (3.938)
386304811	386305411	11	125.9 (4.96)	111.13 (4.375)
386304812	386305412	12	137.2 (5.40)	122.25 (4.813)
386304813	386305413	13	148.1 (5.83)	133.35 (5.250)
386304814	386305414	14	159.3 (6.27)	144.45 (5.687)
386304815	386305415	15	170.4 (6.71)	155.58 (6.125)
386304816	386305416	16	181.6 (7.15)	166.70 (6.563)



SECTION Z-Z

ITEM	QTY.	DESCRIPTION	MATERIAL	FINISH
4	XX	TERMINAL, WIRE WRAP, LONG, #6-32.	BRASS	TIN PLATE
3	XX	SCREW/WSHR #6-32X.250 PAN, PH-SL (-50)	STEEL	ZN, CLEAR CHROMATE
2	XX	SCREW #6-32X.250 BHD, PH-SL (STD.)	STEEL	ZN, CLEAR CHROMATE
1	1	BARRIER TERMINAL STRIP	POLYESTER (PBT)	BLACK

UPDATE MAT. DESCRIP. EC NO: WNA2009-0085 DRAWN: JEN CHAS 2008/11/25 CHECKED: TORR 2008/12/15 APPR: JIMONE L 2008/12/15	QUALITY SYMBOLS ▽=0 ▽=0	GENERAL TOLERANCES (UNLESS SPECIFIED)		DIMENSION STYLE		SCALE 2:1	DESIGN UNITS INCH	THIRD ANGLE PROJECTION
		4 PLACES ± .005 ± .005 3 PLACES ± .005 ± .005 2 PLACES ± 0.13 ± .01 1 PLACE ± 0.3 ± .01 ANGULAR ± 2°	mm INCH	DRAWN BY R. STONE CHECKED BY R. KEMP APPROVED BY P. WALTZ	DATE 2003/03/25 DATE 2003/03/27 DATE 2003/03/28	TITLE 11.13/.438" BTS, 600V PC TAIL W/STD TURRET & NO MTG ENDS (63A3XX-C)	MOLEX INCORPORATED	MATERIAL NO. SEE CHART
DRAFT WHERE APPLICABLE MUST REMAIN WITHIN DIMENSIONS		THIS DRAWING CONTAINS INFORMATION THAT IS PROPRIETARY TO MOLEX INCORPORATED AND SHOULD NOT BE USED WITHOUT WRITTEN PERMISSION						

1b\_frome\_B\_P\_ME\_T Rev. E 2006/04/15