



**Distributor of Molex Connector Corporation: Excellent Integrated System Limited**  
Datasheet of 0386309405 - Connector Barrier Block Strip 5 Circuit 0.438" (11.12mm)

Contact us: [sales@integrated-circuit.com](mailto:sales@integrated-circuit.com) Website: [www.integrated-circuit.com](http://www.integrated-circuit.com)

---

## **Excellent Integrated System Limited**

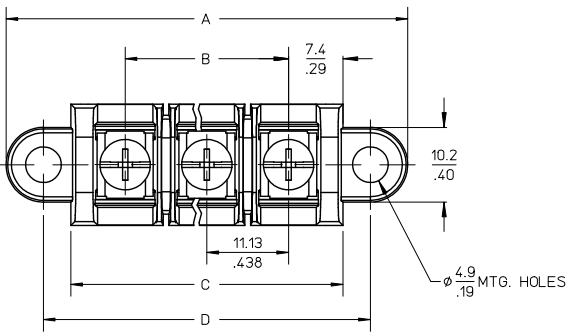
Stocking Distributor

Click to view price, real time Inventory, Delivery & Lifecycle Information:

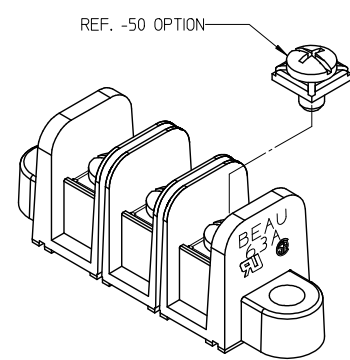
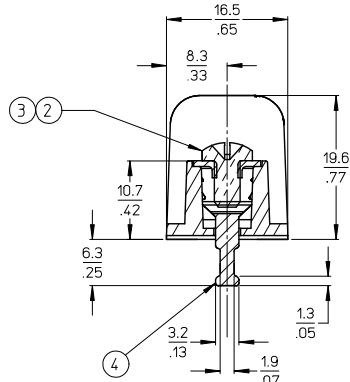
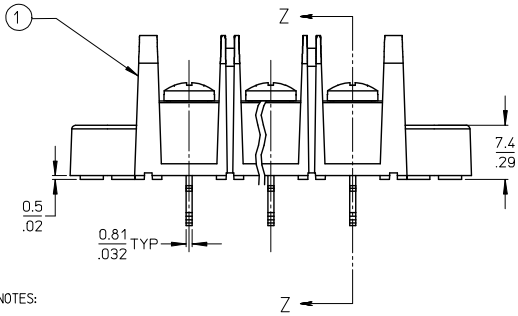
[Molex Connector Corporation](#)  
[0386309405](#)

For any questions, you can email us directly:  
[sales@integrated-circuit.com](mailto:sales@integrated-circuit.com)

38630



MATERIAL NUMBER (STD.)	MATERIAL NUMBER (-50)	NO. OF CIRCUITS	A	B	C	D
386309402	386310602	2	43.4 (1.71)	11.13 (4.38)	25.9 (1.02)	33.3 (1.31)
386309403	386310603	3	54.6 (2.15)	22.22 (.875)	37.1 (1.46)	44.5 (1.75)
386309404	386310604	4	65.7 (2.59)	33.35 (1.313)	48.3 (1.90)	55.6 (2.19)
386309405	386310605	5	76.7 (3.02)	44.45 (1.750)	59.2 (2.33)	66.5 (2.62)
386309406	386310606	6	87.9 (3.46)	55.57 (2.188)	70.4 (2.77)	77.7 (3.06)
386309407	386310607	7	99.1 (3.90)	66.67 (2.625)	81.5 (3.21)	88.9 (3.50)
386309408	386310608	8	110.2 (4.34)	77.80 (3.063)	92.7 (3.65)	100.0 (3.94)
386309409	386310609	9	121.2 (4.77)	88.90 (3.500)	103.6 (4.08)	111.0 (4.37)
386309410	386310610	10	132.3 (5.21)	100.03 (3.938)	114.8 (4.52)	122.2 (4.81)
386309411	386310611	11	143.5 (5.65)	111.13 (4.375)	125.9 (4.96)	133.4 (5.25)
386309412	386310612	12	154.7 (6.09)	122.25 (4.813)	137.2 (5.40)	144.5 (5.69)
386309413	386310613	13	165.6 (6.52)	133.35 (5.250)	148.1 (5.83)	155.4 (6.12)
386309414	386310614	14	176.8 (6.96)	144.45 (5.687)	159.3 (6.27)	166.6 (6.56)
386309415	386310615	15	188.0 (7.40)	155.58 (6.125)	170.4 (6.71)	177.8 (7.00)
386309416	386310616	16	199.1 (7.84)	166.70 (6.563)	181.6 (7.15)	189.0 (7.44)



- NOTES:
1. MATERIAL: SEE TABLE
  2. FINISHES: SEE TABLE
  3. PRODUCT SPECIFICATION: NOT REQUIRED
  4. PACKAGING: NOT REQUIRED
  5. MATES WITH: NONE
  6. \*XX\* REFERS TO QTY. OF CIRCUITS
  7. ROHS COMPLIANT (B)

UPDATE MAT. DESCRIP.		QUALITY SYMBOLS		GENERAL TOLERANCES (UNLESS SPECIFIED)		DIMENSION STYLE		SCALE	DESIGN UNITS	THIRD ANGLE PROJECTION	
EC NO.	DATE	mm	INCH	mm	INCH	MM/IN	MM/IN	2:1	INCH	THIRD ANGLE PROJECTION	
WNA2009-0085	2008/11/25	± .13	± .005	± .13	± .01	MM/IN	2:1	INCH	THIRD ANGLE PROJECTION	THIRD ANGLE PROJECTION	
DRWING: JENKINS	2008/12/15	± 0.3	± .01	± 0.3	± .01	MM/IN	2:1	INCH	THIRD ANGLE PROJECTION	THIRD ANGLE PROJECTION	
CHKD: CORK	2008/12/15	ANGULAR ± 2°		ANGULAR ± 2°		MM/IN	2:1	INCH	THIRD ANGLE PROJECTION	THIRD ANGLE PROJECTION	
APPR: JVALONEIL	2008/12/15					MM/IN	2:1	INCH	THIRD ANGLE PROJECTION	THIRD ANGLE PROJECTION	
DRAWN BY: R. STONE		DATE: 2003/03/26		CHECKED BY: R. KEMP		DATE: 2003/03/27		APPROVED BY: P. WALTZ		DATE: 2003/03/28	
TITLE: 11.13/.438" BTS 600V SOLDER TAIL SHORT & MTG ENDS (63A6XX)		MATERIAL NO. SEE CHART		DOCUMENT NO. SD-38630-009		SHEET NO. 1 OF 1		Molex		Molex INCORPORATED	
DRAFT WHERE APPLICABLE MUST REMAIN WITHIN DIMENSIONS		MATERIAL NO. SEE CHART		DOCUMENT NO. SD-38630-009		SHEET NO. 1 OF 1		Molex		Molex INCORPORATED	

ITEM	QTY.	DESCRIPTION	MATERIAL	FINISH
4	XX	TERMINAL, SOLDER TAIL, SHORT	BRASS	TIN PLATE
3	XX	SCREW/WSHR #6-32X.250 PAN, PH-SL (-50)	STEEL (B)	ZN, CLEAR CHROMATE
2	XX	SCREW #6-32X.250 BHD, PH-SL (STD.)	STEEL (B)	ZN, CLEAR CHROMATE
1	1	BARRIER TERMINAL STRIP	(B) POLYESTER (PBT)	BLACK

1b\_frome\_B\_P\_ME\_T  
Rev. E 2006/04/15