



Distributor of Molex Connector Corporation: Excellent Integrated System Limited
Datasheet of 0386390116 - Connector Barrier Block Strip 9 Circuit 0.438" (11.12mm)

Contact us: sales@integrated-circuit.com Website: www.integrated-circuit.com

Excellent Integrated System Limited

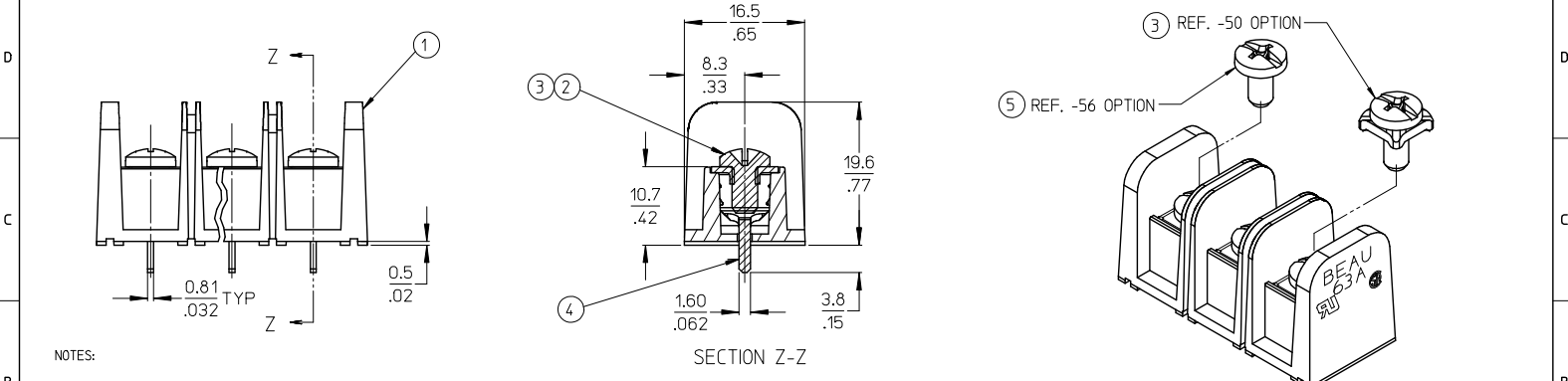
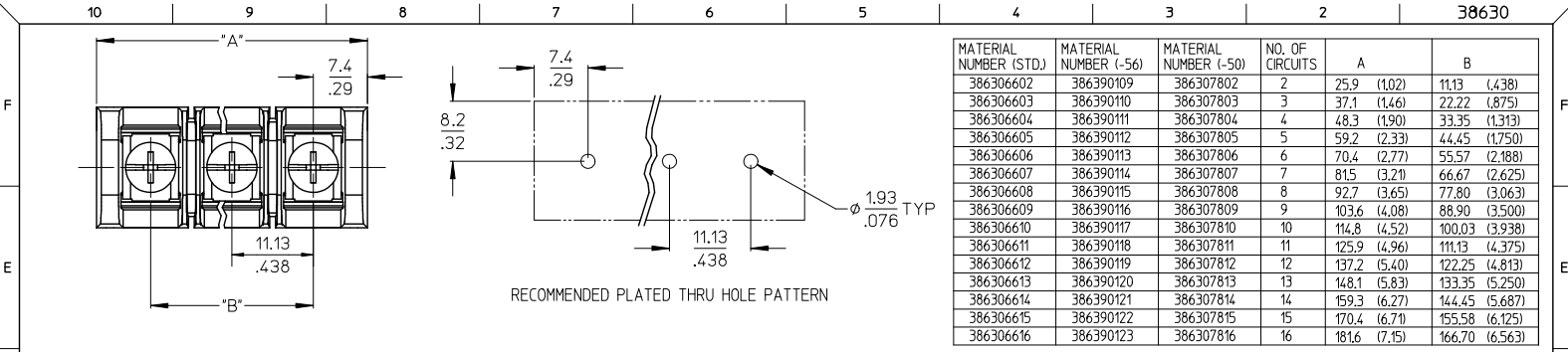
Stocking Distributor

Click to view price, real time Inventory, Delivery & Lifecycle Information:

[Molex Connector Corporation](#)
[0386390116](#)

For any questions, you can email us directly:

sales@integrated-circuit.com



- NOTES:
1. MATERIAL: SEE TABLE
 2. FINISHES: SEE TABLE
 3. "XX" REFERS TO QTY. OF CIRCUITS.
 4. ASSEMBLY IS ROHS COMPLIANT.

ITEM	QTY.	DESCRIPTION	MATERIAL	FINISH	QUALITY SYMBOLS	GENERAL TOLERANCES (UNLESS SPECIFIED)		DIMENSION STYLE		SCALE	DESIGN UNITS	THIRD ANGLE PROJECTION
						mm	INCH	MM/IN	MM/IN			
5	XX	SCREW #6-32X.250 BHD, PH-SL STAINLESS (-56 OPT)	STAINLESS STL	PASSIVATE	CHG SS SCREW DRIVE RECESS EC NO: IP522013-0364 DRAWING YORK 2010/08/16 CHKD: JACQUE L 2012/09/12 APPR: JACQUE L 2012/11/05	4 PLACES	± .005	± .005	DRAWN BY	DATE	TITLE 11.13/.438" PCB BTS 600V NO MTG ENDS, STD LENGTH (63A5XX-C)	
4	XX	TERMINAL, PC (SHORT)	BRASS	TIN PLATE		3 PLACES	± .005	± .005	R. STONE	2003/03/25		
3	XX	SCREW/WSHR #6-32X.250 PAN, PH-SL (-50)	STEEL	ZN, CLEAR CHROMATE		2 PLACES	± 0.13	± .01	R. KEMP	2003/03/27		
2	XX	SCREW #6-32X.250 BHD, PH-SL (STD)	STEEL	ZN, CLEAR CHROMATE		1 PLACE	± 0.3	± .01	APPROVED BY	DATE		
1	1	BARRIER TERMINAL STRIP	POLYESTER (PBT)	BLACK		ANGULAR	± 2°	± .01	P. WALTZ	2003/03/28		
ITEM QTY. DESCRIPTION MATERIAL FINISH						DRAFT WHERE APPLICABLE MUST REMAIN WITHIN DIMENSIONS		SEE CHART		MOLEX INCORPORATED		SHEET NO. 1 OF 1