



**Distributor of Molex Connector Corporation: Excellent Integrated System Limited**

Datasheet of 0387243003 - Connector Barrier Block Strip 3 Circuit 0.375" (9.53mm)

Contact us: [sales@integrated-circuit.com](mailto:sales@integrated-circuit.com) Website: [www.integrated-circuit.com](http://www.integrated-circuit.com)

---

## **Excellent Integrated System Limited**

Stocking Distributor

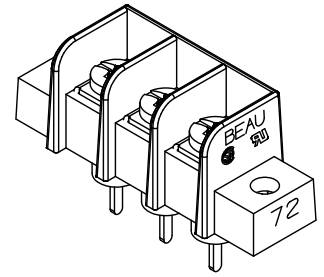
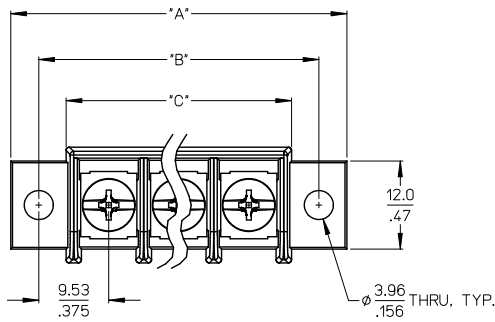
Click to view price, real time Inventory, Delivery & Lifecycle Information:

[Molex Connector Corporation](#)  
[0387243003](#)

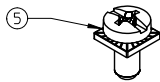
For any questions, you can email us directly:

[sales@integrated-circuit.com](mailto:sales@integrated-circuit.com)

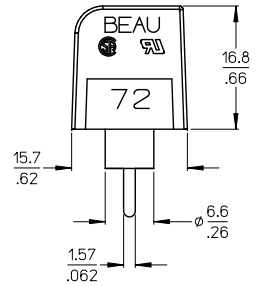
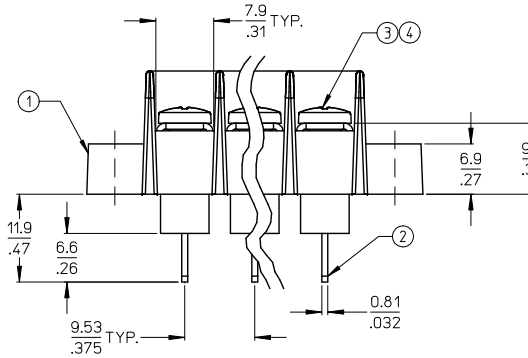
NO. OF CIRCUITS	DIM. 'A'		DIM. 'B'		DIM. 'C'		ASSEMBLY MATERIAL NO. (STANDARD)	ASSEMBLY MATERIAL NO. (-49 OPT)	ASSEMBLY MATERIAL NO. (-50 OPT)
	mm	in	mm	in	mm	in			
02	36.2	1.43	28.6	1.13	21.1	0.83	387243002	387243202	387243402
03	45.7	1.80	38.1	1.50	30.7	1.21	387243003	387243203	387243403
04	55.2	2.18	47.6	1.88	40.2	1.58	387243004	387243204	387243404
05	64.8	2.55	57.2	2.25	49.7	1.96	387243005	387243205	387243405
06	74.3	2.93	66.7	2.63	59.2	2.33	387243006	387243206	387243406
07	83.8	3.30	76.2	3.00	68.8	2.71	387243007	387243207	387243407
08	93.3	3.68	85.7	3.38	78.3	3.08	387243008	387243208	387243408
09	102.9	4.05	95.3	3.75	87.8	3.46	387243009	387243209	387243409
10	112.4	4.43	104.8	4.13	97.3	3.83	387243010	387243210	387243410
11	121.9	4.80	114.3	4.50	106.9	4.21	387243011	387243211	387243411
12	131.4	5.18	123.8	4.88	116.4	4.58	387243012	387243212	387243412
13	141.0	5.55	133.4	5.25	125.9	4.96	387243013	387243213	387243413



3 CIRCUIT SHOWN



REF. -50 OPT. SCREW (WHERE APPLICABLE)



NOTES:

- 1. MATERIAL: SEE TABLE
- 2. 'XX' REFERS TO THE QUANTITY OF CIRCUIT POSITIONS.
- 3. ROHS COMPLIANT.

ITEM	QTY.	DESCRIPTION	MATERIAL	FINISH
5	XX	SCRW&WSHR, #6-32X.25, PANPH-SL, (-50 OPT)	STEEL	ZN, CLEAR CHROMATE
4	XX	SCREW, #6-32X.250, BHD PH/SL (-49 OPT)	BRASS	NICKEL PLATE
3	XX	SCREW, #6-32X.250, BHD PH/SL (STANDARD)	STEEL	ZN, CLEAR CHROMATE
2	XX	TERMINAL, WW, #6-32	BRASS	TIN PLATE
1	1	INSULATOR, CS INSL.	POLYESTER (PBT)	BLACK

RELEASED EC NO: IPG2012-0886 DRAWN: JENJINS 2012/04/13 CHKD: JMACNE IL APPR: JMACNE IL 2012/05/15 REV: A	QUALITY SYMBOLS ▽=0 ▽=0	GENERAL TOLERANCES (UNLESS SPECIFIED)		DIMENSION STYLE MM/IN		SCALE 2:1	DESIGN UNITS INCH	THIRD ANGLE PROJECTION
		4 PLACES ± .005 3 PLACES ± .005 2 PLACES ± 0.13 ± .01 1 PLACE ± 0.3 ± .01 ANGULAR ± 2°	mm INCH	DRAWN BY C. YORK	DATE 2006/05/19	TITLE 9.53/.375" SR BTS, CS, INSULATED PC ASSY		
DRAFT WHERE APPLICABLE MUST REMAIN WITHIN DIMENSIONS		MATERIAL NO. SEE CHART		APPROVED BY JMACNE IL		DATE 2012/05/15	MOLEX INCORPORATED	
		DOCUMENT NO. SD-38724-003		SHEET NO. 1 OF 1		THIS DRAWING CONTAINS INFORMATION THAT IS PROPRIETARY TO MOLEX INCORPORATED AND SHOULD NOT BE USED WITHOUT WRITTEN PERMISSION		