

## Excellent Integrated System Limited

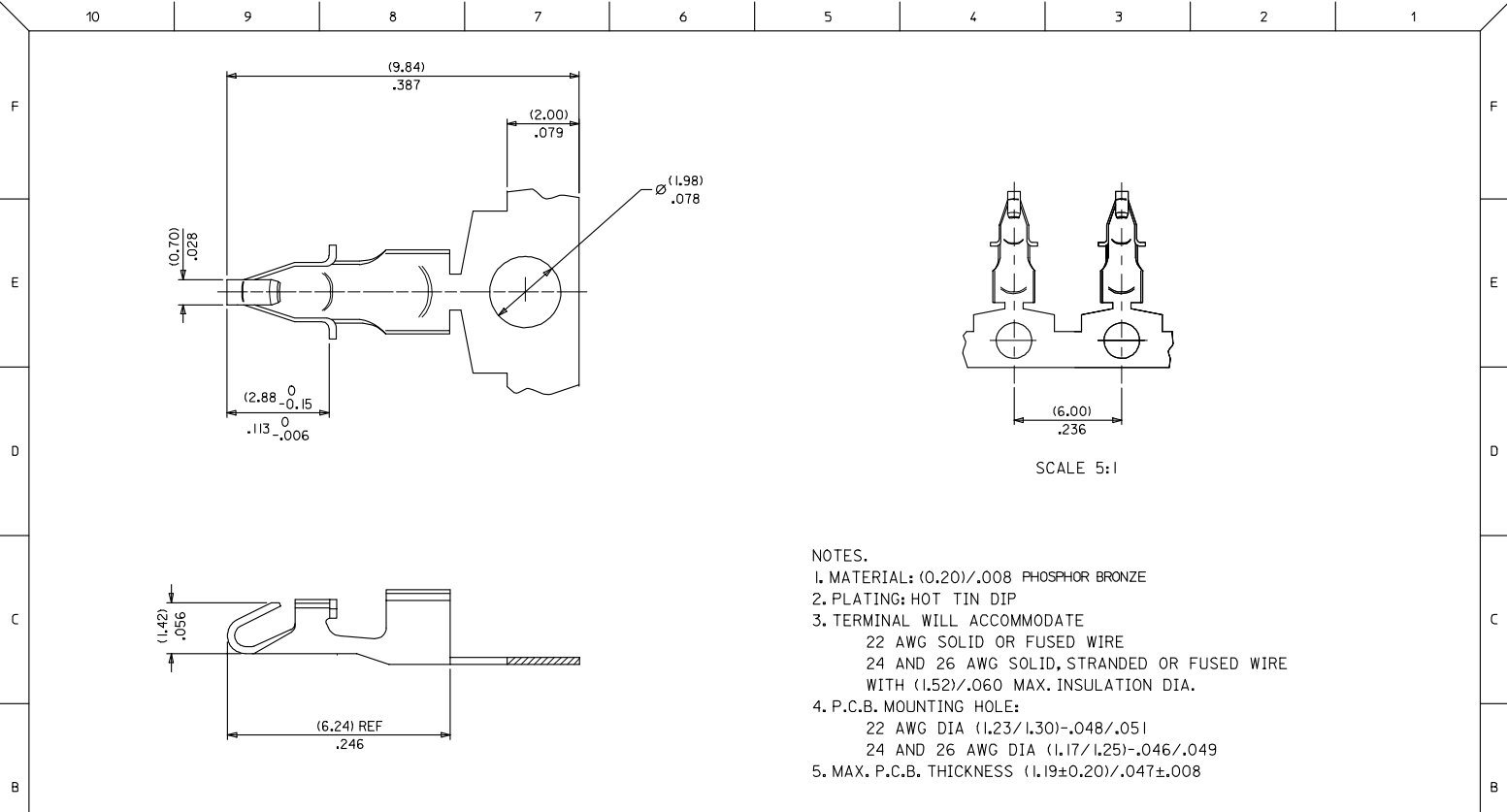
Stocking Distributor

Click to view price, real time Inventory, Delivery & Lifecycle Information:

[Molex Connector Corporation](#)  
[0901980002](#)

For any questions, you can email us directly:

[sales@integrated-circuit.com](mailto:sales@integrated-circuit.com)



- NOTES.
1. MATERIAL: (0.20)/.008 PHOSPHOR BRONZE
  2. PLATING: HOT TIN DIP
  3. TERMINAL WILL ACCOMMODATE  
22 AWG SOLID OR FUSED WIRE  
24 AND 26 AWG SOLID, STRANDED OR FUSED WIRE  
WITH (1.52)/.060 MAX. INSULATION DIA.
  4. P.C.B. MOUNTING HOLE:  
22 AWG DIA (1.23/1.30)-.048/.051  
24 AND 26 AWG DIA (1.17/1.25)-.046/.049
  5. MAX. P.C.B. THICKNESS (1.19±0.20)/.047±.008

UPDATED BORDER EC NO: E2007-0844 2007/04/05 DRAWN BY: M 2007/04/12 CHKD: 2007/04/13 APPROVED BY: M 2007/04/13	QUALITY SYMBOLS	GENERAL TOLERANCES (UNLESS SPECIFIED)		DIMENSION STYLE		SCALE	DESIGN UNITS	THIRD ANGLE PROJECTION
	▽=0 ▽=0	mm	INCH	MM/IN	10:1	METRIC		
	4 PLACES ± --- ± --- 3 PLACES ± --- ± .008 2 PLACES ± 0.20 ± .015 1 PLACE ± 0.38 ± --- ANGULAR ± .5 °	DRAWN BY	DATE	TITLE				
	DRAFT WHERE APPLICABLE MUST REMAIN WITHIN DIMENSIONS	CTOBI	98/07/06	PCM CRIM TERM BRD-IN STAND ALONE 1TNL				
		CHECKED BY	DATE	MOLEX INCORPORATED				
		IMAHON	98/07/06					
		APPROVED BY	DATE					
		MWILHITE	98/07/06					
		MATERIAL NO.	901980002	SD-90198				
		DOCUMENT NO.		SHEET NO. 2 OF 2				
		SIZE	A3	THIS DRAWING CONTAINS INFORMATION THAT IS PROPRIETARY TO MOLEX INCORPORATED AND SHOULD NOT BE USED WITHOUT WRITTEN PERMISSION				