

Excellent Integrated System Limited

Stocking Distributor

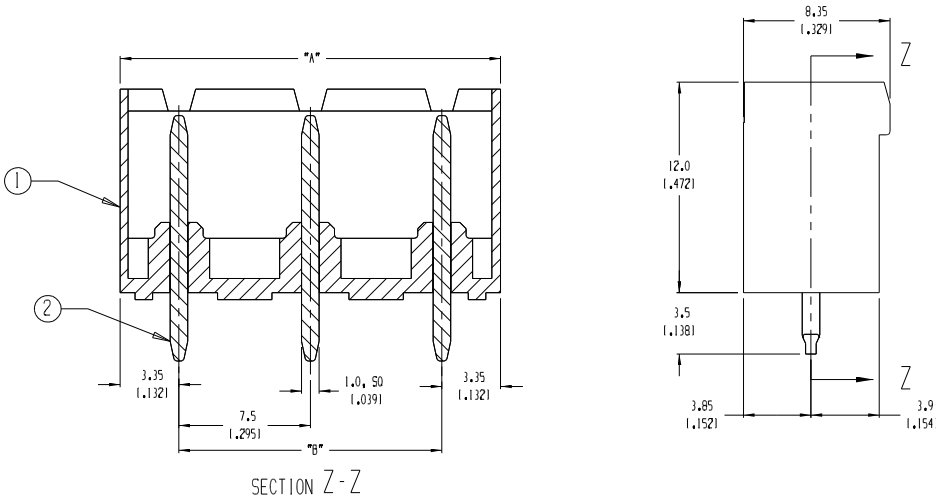
Click to view price, real time Inventory, Delivery & Lifecycle Information:

[Molex Connector Corporation](#)
[0393720007](#)

For any questions, you can email us directly:

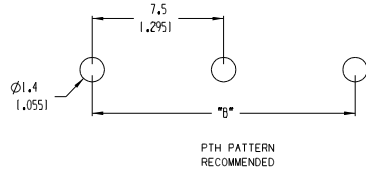
sales@integrated-circuit.com

SD-39372-001



MATERIAL NUMBER	NUMBER OF CIRCUITS "XX"	A		B	
039372-0002	2	14.2	10.561	7.50	1.2951
039372-0003	3	21.7	10.851	15.00	1.5911
039372-0004	4	29.2	11.151	22.50	1.8861
039372-0005	5	36.7	11.441	30.00	1.1811
039372-0006	6	44.2	11.741	37.50	1.14761
039372-0007	7	51.7	12.041	45.00	1.17721
039372-0008	8	59.2	12.331	52.50	1.20671
039372-0009	9	66.7	12.631	60.00	1.23621
039372-0010	10	74.2	12.921	67.50	1.26571
039372-0011	11	81.7	13.221	75.00	1.29531
039372-0012	12	89.2	13.511	82.50	1.32481

- NOTES:
1. MATERIAL: SEE TABLE
 2. FINISHES: SEE TABLE
 3. PRODUCT SPECIFICATION: NOT REQUIRED
 4. PACKAGING: NOT REQUIRED
 5. MATES WITH: 7.5MM PLUGS
 6. "XX" - REFERS TO THE NUMBER OF CIRCUIT POSITIONS



ITEM	QTY.	DESCRIPTION	MATERIAL	FINISH
2	XX	PIN	PHOS. BRONZE	TIN-PLATED
1	1	HOUSING	POLYIMIDE	BLACK

ECN# 3846 DRAWN: CY 09-03-04 CHECK: [] APPR: [] REV: []	QUALITY SYMBOLS MAJOR CRITICAL SPC S	GENERAL TOLERANCES: (UNLESS SPECIFIED) mm INCH 4 PLACES ±.0015 1 ±.0015 3 PLACES ±.0038 2 ±.005 2 PLACES ±.13 1 ±.01 1 PLACE ±.3	SCALE: 5:1 DESIGN UNITS: <input type="checkbox"/> mm <input checked="" type="checkbox"/> INCH DRAWN BY & DATE: HOWARD 07/18/03 CHECKED BY & DATE: R. KEMP 07/22/03 APPROVED BY & DATE: P. WALTZ 07/22/03 CAD FILENAME: 3716XX	PROJECT NO.: - DIMENSIONS: <input checked="" type="checkbox"/> mm <input type="checkbox"/> INCH <input type="checkbox"/> mm ONLY SMT REV SEE CHART SD-39372-001 SHEET NO. 1 OF 1
	TITLE: 7.5MM STRAIGHT, HEADER, BLACK			
	MOLEX INCORPORATED			
	DRAFT WHERE APPLICABLE MUST REMAIN WITHIN DIMENSIONS THIS DRAWING CONTAINS INFORMATION THAT IS PROPRIETARY TO MOLEX INCORPORATED AND SHOULD NOT BE USED WITHOUT WRITTEN PERMISSION.			