

Excellent Integrated System Limited

Stocking Distributor

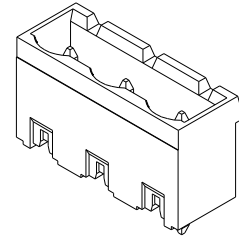
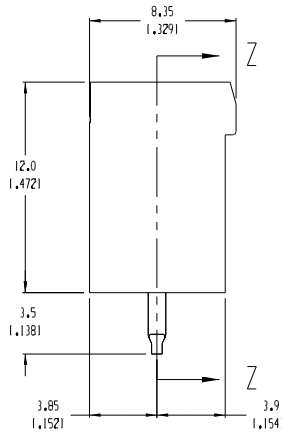
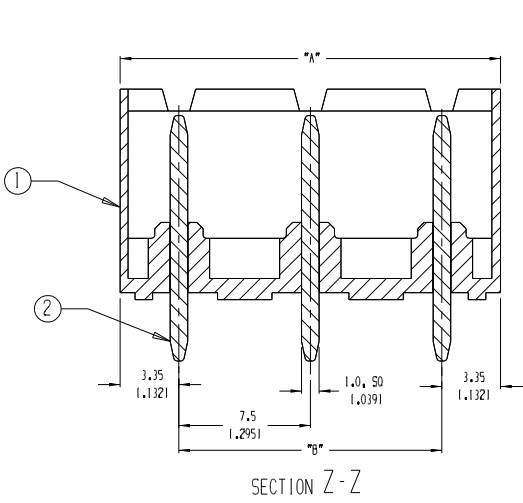
Click to view price, real time Inventory, Delivery & Lifecycle Information:

[Molex Connector Corporation](#)
[0393720008](#)

For any questions, you can email us directly:

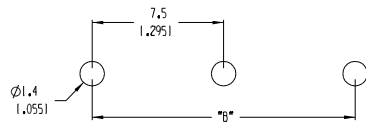
sales@integrated-circuit.com

SD-39372-001



AUX. VIEW
SCALE 3:1

MATERIAL NUMBER	NUMBER OF CIRCUITS "XX"	A		B	
039372-0002	2	14.2	10.561	7.50	1.2951
039372-0003	3	21.7	10.851	15.00	1.5911
039372-0004	4	29.2	11.151	22.50	1.8861
039372-0005	5	36.7	11.441	30.00	1.1811
039372-0006	6	44.2	11.741	37.50	1.4761
039372-0007	7	51.7	12.041	45.00	1.7721
039372-0008	8	59.2	12.331	52.50	12.0671
039372-0009	9	66.7	12.631	60.00	12.3621
039372-0010	10	74.2	12.921	67.50	12.6571
039372-0011	11	81.7	13.221	75.00	12.9531
039372-0012	12	89.2	13.511	82.50	13.2481



- NOTES:
1. MATERIAL: SEE TABLE
 2. FINISHES: SEE TABLE
 3. PRODUCT SPECIFICATION: NOT REQUIRED
 4. PACKAGING: NOT REQUIRED
 5. MATES WITH: 7.5MM PLUGS
 6. "XX" - REFERS TO THE NUMBER OF CIRCUIT POSITIONS

ITEM	QTY.	DESCRIPTION	MATERIAL	FINISH
2	XX	PIN	PHOS. BRONZE	TIN-PLATED
1	1	HOUSING	POLYIMIDE	BLACK

ECN# 3846 CY 09-03-04 DRAWN: CHY/K APPR:	QUALITY SYMBOLS MAJOR CRITICAL SPC S	GENERAL TOLERANCES: (UNLESS SPECIFIED) mm INCH 4 PLACES ±.0015 1±.0015 3 PLACES ±.038 1±.005 2 PLACES ±.13 1±.01 1 PLACE ±.3	SCALE: 5:1 DESIGN UNITS: <input type="checkbox"/> mm <input checked="" type="checkbox"/> INCH DRAWN BY & DATE: HOWARD 07/18/03 CHECKED BY & DATE: R. KEMP 07/22/03 APPROVED BY & DATE: P. WALTZ 07/22/03 CAD FILENAME: 3716XX ANGLAR: 12°	PROJECT NO.: DIMENSIONS: <input checked="" type="checkbox"/> mm <input type="checkbox"/> INCH <input type="checkbox"/> mm ONLY THIRD ANGLE PROJECTION TITLE: 7.5MM STRAIGHT, HEADER, BLACK MOLEX INCORPORATED	SHEET NO.: 1 OF 1 SIZE: B
	DRAFT WHERE APPLICABLE MUST REMAIN WITHIN DIMENSIONS				
	THIS DRAWING CONTAINS INFORMATION THAT IS PROPRIETARY TO MOLEX INCORPORATED AND SHOULD NOT BE USED WITHOUT WRITTEN PERMISSION.				
	PROJECT NO.: SHEET NO.: DIMENSIONS: INCH mm ONLY REVISE ON CAD ONLY				