

Excellent Integrated System Limited

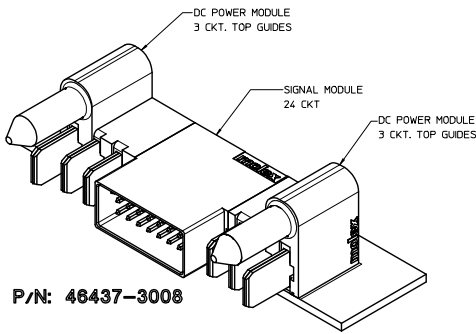
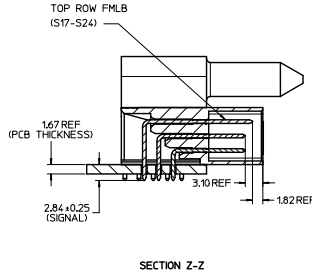
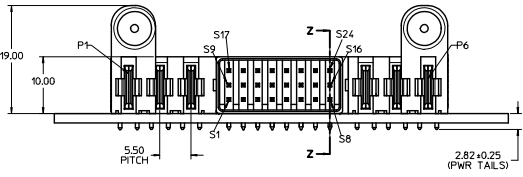
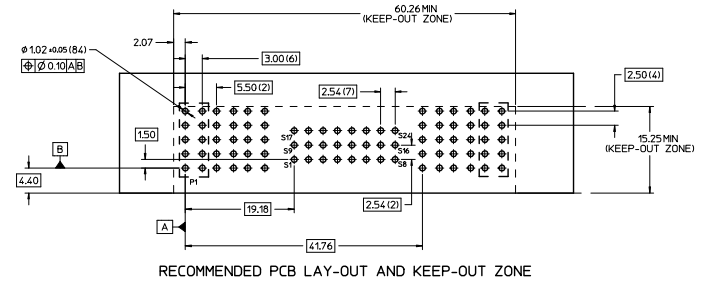
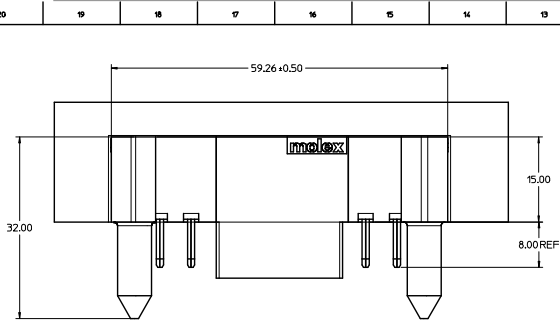
Stocking Distributor

Click to view price, real time Inventory, Delivery & Lifecycle Information:

[Molex Connector Corporation](#)
[0464373008](#)

For any questions, you can email us directly:

sales@integrated-circuit.com



NOTES:

1. MATERIAL:
 - HOUSINGS: LCP UL94, V-0, COLOR: BLACK.
 - TERMINALS: COPPER ALLOY.
 - PLATING: 0.00127 NICKEL OVERALL WITH 0.00254 SELECTIVE TIN ON SOLDER TAILS AND 0.000762 SELECTIVE GOLD ON CONTACT AREA.
2. ASSEMBLIES PACKED IN TRAYS, SPO: TBD
3. PCB BOARD REQUIRES SOLDER THRU HOLES. REFER TO PS-46436-100 FOR DETAILS
4. PRODUCT SPEC: PS-46436-100.
5. APPLICATION SPEC: AS-46436-100.
6. PRODUCT TO MEET RoHS REQUIREMENTS.
7. ASSEMBLY MATES TO MOLEX RECEPTACLE ASSEMBLY P/N 46436-3008 OR 46562-3008.

RELEASED ECT: M/LUP/2009-2516 2009/05/05 CHK: KJKH 2009/05/05 APPR: HATEL 2009/05/05	QUALITY SYMBOLS	GENERAL TOLERANCES (UNLESS SPECIFIED)		DIMENSION STYLE		SCALE	DESIGN UNITS	THIRD ANGLE PROJECTION
		mm	INCH	MM ONLY		NTS	METRIC	
		4 PLACES ±---	±---	DRAWN BY		DATE	TITLE	
		3 PLACES ±---	±---	KJKH		2009/03/11	RA PLUG ASSY	
	2 PLACES ± 0.25	±---	CHECKED BY		DATE	TEN60 POWER		
	1 PLACE ± 0.25	±---	KJKH		2009/03/11	TG-3P-24S-3P-TG		
			APPROVED BY		DATE	MOLEX INCORPORATED		
			SHONG					
			MATERIAL NO.		DOCUMENT NO.			
			46437-3008		SD-46437-308			
			DRAFT WHERE APPLICABLE MUST REMAIN WITHIN DIMENSIONS				SHEET NO. 1 OF 1	
			SIZE 1					
			THIS DRAWING CONTAINS INFORMATION THAT IS PROPRIETARY TO MOLEX INCORPORATED AND SHOULD NOT BE USED WITHOUT WRITTEN PERMISSION					