

Excellent Integrated System Limited

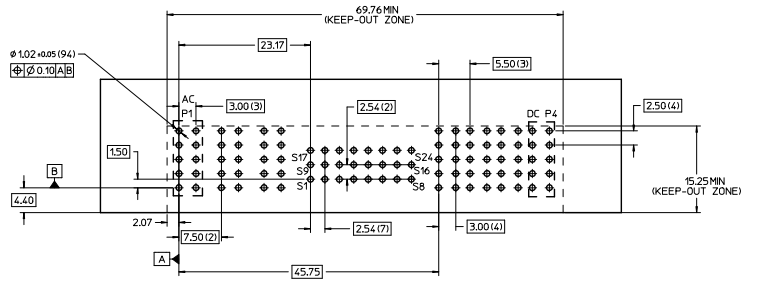
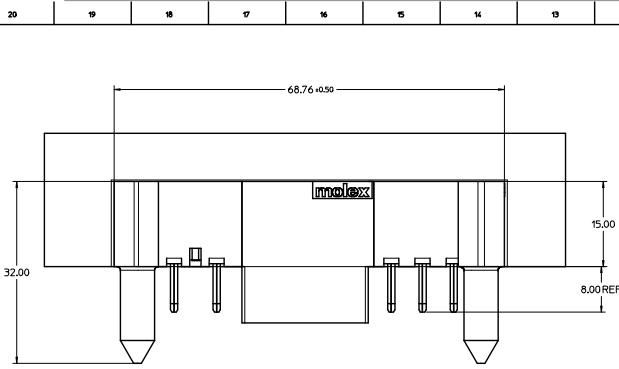
Stocking Distributor

Click to view price, real time Inventory, Delivery & Lifecycle Information:

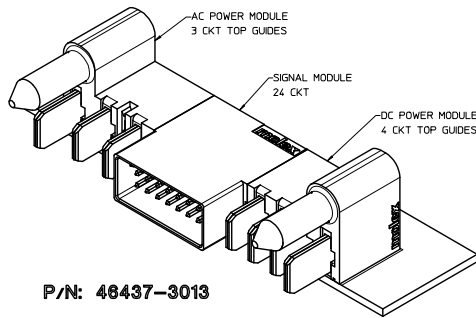
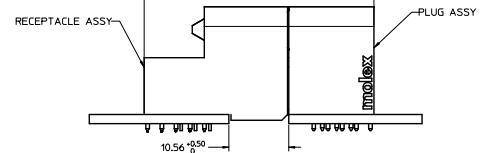
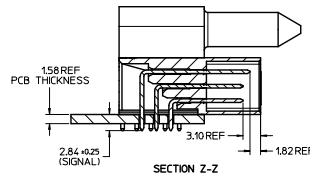
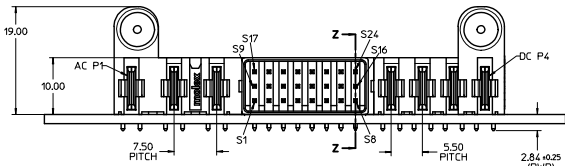
[Molex Connector Corporation](#)
[0464373013](#)

For any questions, you can email us directly:

sales@integrated-circuit.com



RECOMMENDED PCB LAY-OUT AND KEEP-OUT ZONE



P/N: 46437-3013

NOTES:

- MATERIAL:
 - HOUSINGS: LCP UL94, V-0, COLOR: BLACK.
 - TERMINALS: COPPER ALLOY.
 - PLATING: 0.00127 NICKEL OVERALL WITH 0.00254 SELECTIVE TIN ON SOLDER TAILS AND 0.000762 SELECTIVE GOLD ON CONTACT AREA.
- ASSEMBLIES PACKED IN TRAYS, SPO: TBD
- PC BOARD REQUIRES SOLDER THRU HOLES. REFER TO PS-46436-100 FOR DETAILS
- PRODUCT SPEC: PS-46436-100.
- APPLICATION SPEC: AS-46436-100.
- PRODUCT TO MEET RoHS REQUIREMENTS.
- ASSEMBLY MATES TO MOLEX RECEPTACLE ASSEMBLY P/N 46436-3013 OR 46562-3013.

QUALITY SYMBOLS	GENERAL TOLERANCES (UNLESS SPECIFIED)		DIMENSION STYLE		SCALE	DESIGN UNITS	THIRD ANGLE PROJECTION
	mm	INCH	MM ONLY	DATE			
4 PLACES ± 0.25	± 0.25	± 0.010	MM ONLY	2009/03/11	NTS	METRIC	RA PLUG ASSY TEN60 POWER TG-3AC-24S-4P-TG
3 PLACES ± 0.25	± 0.25	± 0.010	MM ONLY	2009/03/11			
2 PLACES ± 0.25	± 0.25	± 0.010	MM ONLY	2009/03/11			
1 PLACE ± 0.25	± 0.25	± 0.010	MM ONLY	2009/03/11			
	ANGULAR ± 1/2°						
	DRAFT WHERE APPLICABLE MUST REMAIN WITHIN DIMENSIONS						
			MATERIAL NO.	46437-3013	DOCUMENT NO.	SD-46437-313	SHEET NO. 1 OF 1
			SIZE	A			