

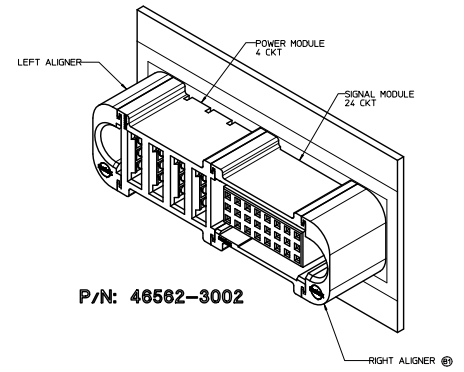
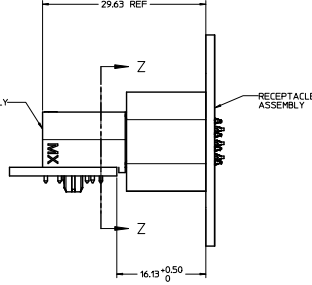
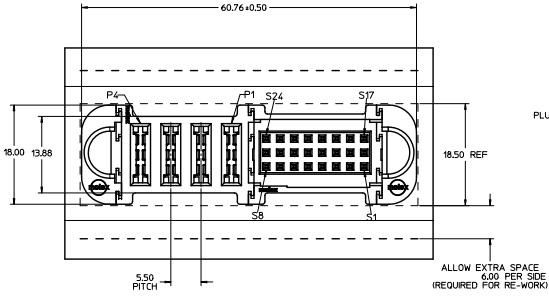
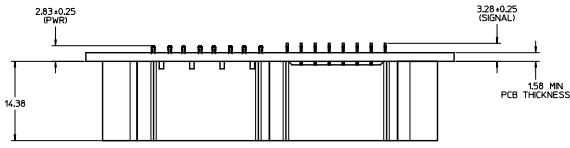
Excellent Integrated System Limited

Stocking Distributor

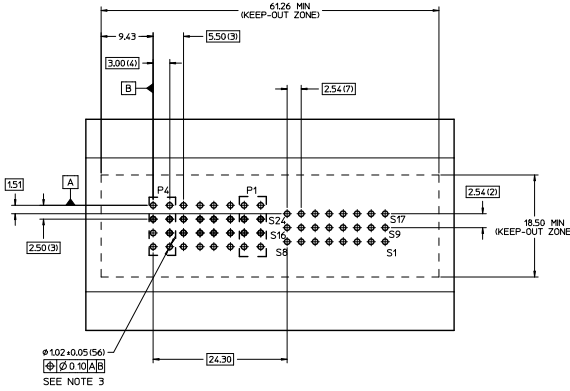
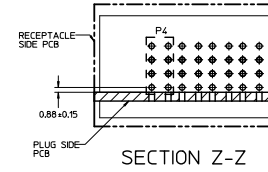
Click to view price, real time Inventory, Delivery & Lifecycle Information:

[Molex Connector Corporation](#)
[0465623002](#)

For any questions, you can email us directly:
sales@integrated-circuit.com



P/N: 46562-3002



RECOMMENDED PCB LAYOUT AND KEEP-OUT ZONE

NOTES:

1. MATERIAL:
-HOUSING: LCP UL94 V-0, COLOR: BLACK
-TERMINALS: COPPER ALLOY
-PLATING: 0.000127 NICKEL OVERALL WITH 0.00254 SELECTIVE TIN ON COMPLIANT PINS AND 0.000762 SELECTIVE GOLD ON CONTACT AREA.
2. ASSEMBLES PACKED IN TRAYS, SPD TBD.
3. PC BOARD REQUIRES THRU HOLES, REFER TO PS-46436-100 FOR DETAILS.
4. PRODUCT SPEC: PS-46436-100.
5. APPLICATION SPEC: AS-46436-100.
6. PRODUCT TO MEET RoHS REQUIREMENTS.
7. ASSEMBLY MATES WITH PLUG ASSEMBLY, P/N 46437-3002.

QUALITY SYMBOLS 4 PLACES ± --- ± --- 3 PLACES ± --- ± --- 2 PLACES ± 0.25 ± --- 1 PLACE ± 0.25 ± --- ANGULAR ±1/2°	GENERAL TOLERANCES (UNLESS SPECIFIED) mm INCH		DIMENSION STYLE MM ONLY		SCALE 3:1	DESIGN UNITS METRIC	THIRD ANGLE PROJECTION
	DRAWN BY KJKUH		DATE 2009/03/11		TITLE VERT. RECPT ASSY 24S-4P PRESS-FIT TEN60 POWER FAMILY		
	CHECKED BY SHONG		DATE 2009/05/06		MOLEX INCORPORATED		
	MATERIAL NO. 46562-3002		DOCUMENT NO. SD-46562-302		SHEET NO. 1 OF 1		