

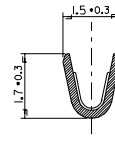
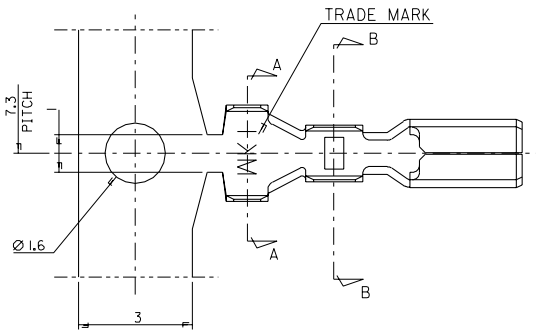
Excellent Integrated System Limited

Stocking Distributor

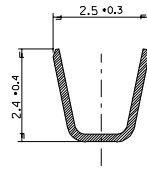
Click to view price, real time Inventory, Delivery & Lifecycle Information:

[Molex Connector Corporation](#)
[0579158001](#)

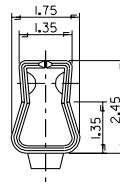
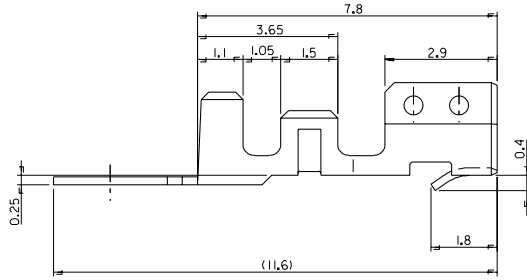
For any questions, you can email us directly:
sales@integrated-circuit.com



SECTION B-B



SECTION A-A



NOTE

1. MATERIAL : BRASS/PHOSPHOR BRONZE (+0.203)
2. APPLIED HOUSING : 35572-***00
3. APPLIED WIRE : AWG#22±#28(INS. RANGE: $\phi 15 \pm 1.8$)

PRE-TINNED BRASS	57915-9002
PRE-TINNED PHOSPHOR BRONZE	57915-8001
MATERIAL	ENG NO.

NEW RELEASED EC NO. KOR2000-0026 DRWN: H.S.SHIN 00/04/19 CHK: J.K.OH APPR: C.W.LEE	QUALITY SYMBOLS MAJOR CRITICAL	GENERAL TOLERANCES: (UNLESS SPECIFIED)		SCALE 10-1	DESIGN UNITS <input checked="" type="checkbox"/> mm <input type="checkbox"/> INCH	THIRD ANGLE PROJECTION	DIMENSIONS: <input type="checkbox"/> mm <input type="checkbox"/> INCH <input checked="" type="checkbox"/> mm ONLY	SHT REVISE ON CAD ONLY
		4 PLACES $\pm 0.$ \pm	DRAWN BY & DATE H.S.SHIN 00/02/19	TITLE: 2.5 PITCH W/B CONN. CRIMPING TERMINAL				
		3 PLACES $\pm 0.$ \pm	CHECKED BY & DATE J.K.OH	MOLEX INCORPORATED KOREA				
		2 PLACES $\pm 0.$ \pm	APPROVED BY & DATE C.W.LEE	CAD FILENAME SD57915.DGN	MATERIAL NO. SEE TABLE	DRAWING NO. SD-57915-001	SHEET NO. 1/1	
1 PLACE ± 0.2 \pm	ANGULAR \pm 1°	DRAFT WHERE APPLICABLE MUST REMAIN WITHIN DIMENSIONS		THIS DRAWING CONTAINS INFORMATION THAT IS PROPRIETARY TO MOLEX INCORPORATED AND SHOULD NOT BE USED WITHOUT WRITTEN PERMISSION.				
REV A								SIZE B

DWG. NO.

SIMILAR ITEM

PROJECT NO.

C

B

DO NOT SCALE DRAWING DIMENSION IN METRIC