

## Excellent Integrated System Limited

Stocking Distributor

Click to view price, real time Inventory, Delivery & Lifecycle Information:

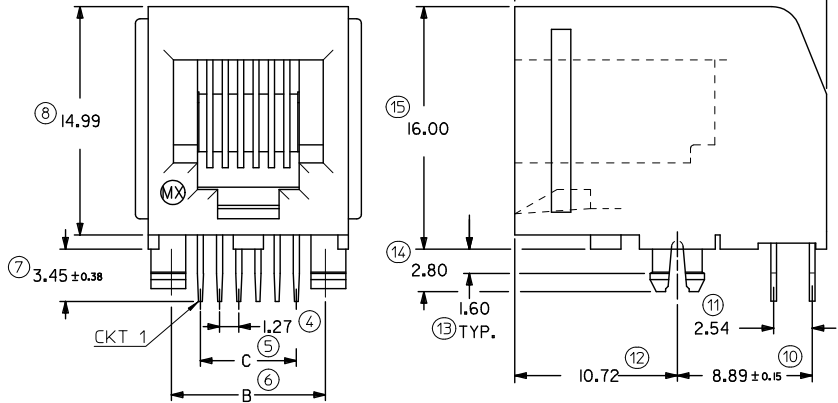
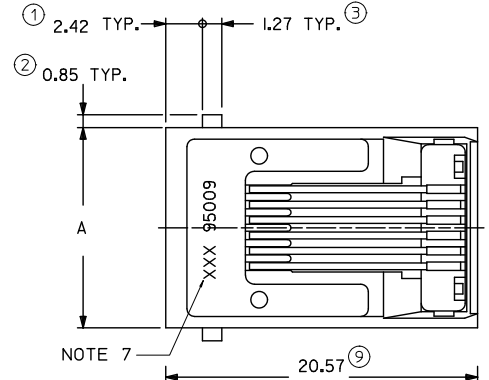
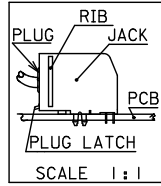
[Molex Connector Corporation](#)  
[0950097661](#)

For any questions, you can email us directly:

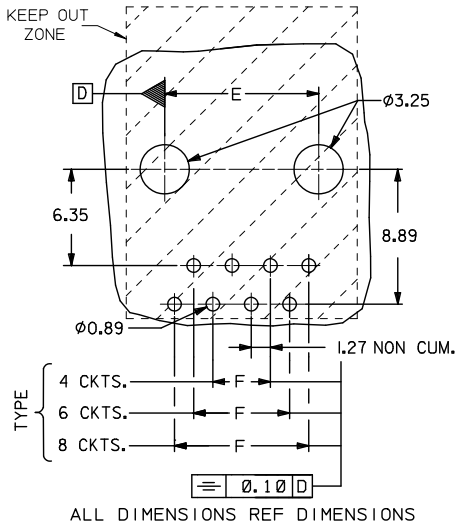
[sales@integrated-circuit.com](mailto:sales@integrated-circuit.com)

**NOTES :**

- 1- MATERIAL : POLYESTER FIBER GLASS FILED 94-V-0  
COLOR BLACK .  
TERMINAL : COPPER ALLOY.  
PLATINGS : BASE FINISH: NICKEL  
CONTACT SURFACE FINISH:  
GOLD  
OR  
GOLD FLASH OVER PALLADIUM NICKEL.  
EXCEEDS PRODUCT REQUIREMENTS BASED ON PS-95009-001
- 2- PC BOARD THICKNESS : 1.57
- 3- JACK FOR MATING WITH IEC-60603-7 AND TIA-1096-A  
MOLEX 90075 SERIES PLUGS
- 4- PRODUCT SPECIFICATION PS-95009-001.
- 5- APPLICATION SPECIFICATION AS-95001.
- 6- PACKAGING SPECIFICATION PK-95029.
- 7- MANUFACTURING ID CAN BE MXF, MG OR MXI.  
INSPECTION NUMBERS USED: 1 - 50  
LAST INSPECTION NUMBER: 15



**MOUNTING HOLE PATTERNS**  
(SEE FROM COMPONENT SIDE)



<b>EDITED NOTES</b> EC NO: IFC2012-0807 DRAWN BY: DRW:BYRNES 2012/04/27 CHKD: SINGHREVEY 2012/04/27 APPR: EFULAN 2012/05/03	<b>QUALITY SYMBOLS</b> ▽=0 ▽=0	<b>GENERAL TOLERANCES (UNLESS SPECIFIED)</b> <table border="1"> <thead> <tr> <th></th> <th>mm</th> <th>INCH</th> </tr> </thead> <tbody> <tr> <td>4 PLACES</td> <td>± ---</td> <td>± ---</td> </tr> <tr> <td>3 PLACES</td> <td>± ---</td> <td>± ---</td> </tr> <tr> <td>2 PLACES</td> <td>± 0.25</td> <td>± ---</td> </tr> <tr> <td>1 PLACE</td> <td>± 0.35</td> <td>± ---</td> </tr> <tr> <td colspan="3">ANGULAR ± 1/2°</td> </tr> </tbody> </table>		mm	INCH	4 PLACES	± ---	± ---	3 PLACES	± ---	± ---	2 PLACES	± 0.25	± ---	1 PLACE	± 0.35	± ---	ANGULAR ± 1/2°			<b>DIMENSION STYLE</b> MM ONLY	SCALE 4:1 DESIGN UNITS METRIC THIRD ANGLE PROJECTION
		mm	INCH																			
	4 PLACES	± ---	± ---																			
	3 PLACES	± ---	± ---																			
2 PLACES	± 0.25	± ---																				
1 PLACE	± 0.35	± ---																				
ANGULAR ± 1/2°																						
<b>REV</b> K	DRAWN BY: DRW:BYRNES 2012/04/27 CHKD: SINGHREVEY 2012/04/27 APPR: EFULAN 2012/05/03	DRAWN BY: DP DATE: 86/10/23 CHECKED BY: DATE:	APPROVED BY: DATE:	TITLE: FLUSH MOUNT RIGHT ANGLE MODULAR JACK ASSEMBLY THROUGH HOLE VERSION MOLEX INCORPORATED																		
	MATERIAL NO. SEE CHART SHT 2 SIZE: A3	DOCUMENT NO. SDA-95009-F SHEET NO. 1 OF 2	THIS DRAWING CONTAINS INFORMATION THAT IS PROPRIETARY TO MOLEX INCORPORATED AND SHOULD NOT BE USED WITHOUT WRITTEN PERMISSION																			
	DRAFT WHERE APPLICABLE MUST REMAIN WITHIN DIMENSIONS																					

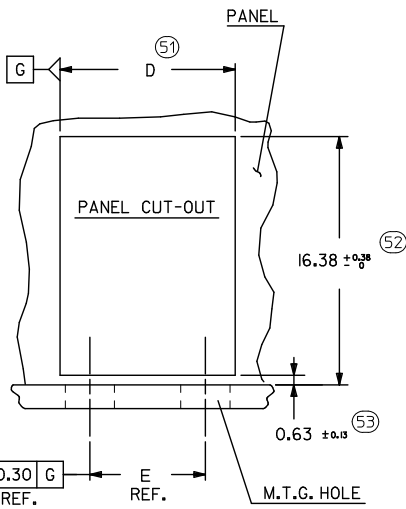
10 9 8 7 6 5 4 3 2 1

PART NUMBERS FOR JACK I RIB .

TYPE	POS. 4	TOOLED	POS. 6	TOOLED	POS. 6	TOOLED	POS. 8	TOOLED
	PLATING	4 CKTS.	X	4 CKTS.	X	6 CKTS.	X	8 CKTS.
FINISH 7	95009-7441	X	95009-7641	X	95009-7661	X	95009-7881	X

PART NUMBERS FOR JACK NO RIB.

TYPE	POS. 4	TOOLED	POS. 6	TOOLED	POS. 6	TOOLED	POS. 8	TOOLED
	PLATING	4 CKTS.	X	4 CKTS.	X	6 CKTS.	X	8 CKTS.
FINISH 7	95009-7447	X	95009-7647	X	95009-7667	X	95009-7887	X



TYPE	POS. 4	POS. 6		POS. 8
	4 CKTS.	4 CKTS.	6 CKTS.	8 CKTS.
A	11.18	13.21	13.21	15.24
B	7.62	10.16	10.16	11.43
C	3.81	3.81	6.35	8.89
D <sup>+0.38</sup> <sub>-0</sub>	11.56	13.59	13.59	15.62
E ±0.10	7.62	10.16	10.16	11.43
F ±0.10	3.81	3.81	6.35	8.89

NOTES:

INSPECTION NUMBERS USED: 51 - 100  
LAST INSPECTION NUMBER: 53

ADDED PLATING OPTIONS EC NO: E2012-0040 DRAWN: JOCONOR 2011/04/07 CHKD: APPR: EFCU, AN 2011/10/13	QUALITY SYMBOLS	GENERAL TOLERANCES (UNLESS SPECIFIED)	DIMENSION STYLE	SCALE	DESIGN UNITS	THIRD ANGLE PROJECTION
	▽=0	mm INCH	MM ONLY	4:1	METRIC	
	▽=0	4 PLACES ± --- ± ---	DRAWN BY DATE			
		3 PLACES ± --- ± ---	DP 87/04/22			
	2 PLACES ± 0.25 ± ---	CHECKED BY DATE				TITLE
	1 PLACE ± 0.35 ± ---	APPROVED BY DATE				FLUSH MOUNT RIGHT ANGLE MODULAR JACK ASSEMBLY THROUGH HOLE VERSION
	ANGULAR ± 1/2°					Molex MOLEX INCORPORATED
	DRAFT WHERE APPLICABLE MUST REMAIN WITHIN DIMENSIONS		MATERIAL NO.			DOCUMENT NO. SDA-95009-F
			SEE CHART			SHEET NO. 2 OF 2
			SIZE A3			THIS DRAWING CONTAINS INFORMATION THAT IS PROPRIETARY TO MOLEX INCORPORATED AND SHOULD NOT BE USED WITHOUT WRITTEN PERMISSION

9 8 7 6 5 4 3 2 1