

Excellent Integrated System Limited

Stocking Distributor

Click to view price, real time Inventory, Delivery & Lifecycle Information:

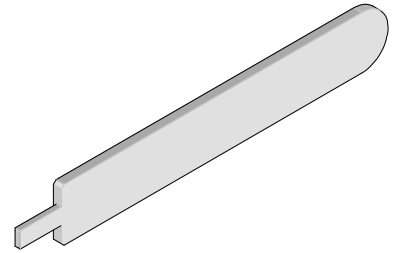
[Molex Connector Corporation](#)
[0638135000](#)

For any questions, you can email us directly:
sales@integrated-circuit.com

TPA Removal Tool for NSCC 1.50mm Receptacle Terminals



**TPA Removal Tool
 Instruction Sheet
 Order No. 63813-5000**



FEATURES

- This TPA Removal Tool is to unlock the TPA for 98897 Series receptacle terminals from NSCC connector 98977 series.
- For terminal extraction use: 63813-3800 for single latch housings, 63813-4800 for double latch housings.

SCOPE

Products: NSCC 1.50mm Receptacle Terminals for NSCC connector.

Terminal Series No.	Terminal Order No.		
98897	98897-1109	98897-1119	98897-1129

OPERATION:

To unlock the TPA from the NSCC connector, follow the steps below:

1. The TPA secondary lock in the NSCC connector will need to be unlocked and removed before extracting any crimped terminals from the housing.
2. This is done by inserting the tip of the removal tool into the outer slot of the housing (position 1) and push in until it stops. Remove the tool.
3. Next insert the tip of the removal tool into the opposite side slot and push in until it stops (position 2). See Figure 1.

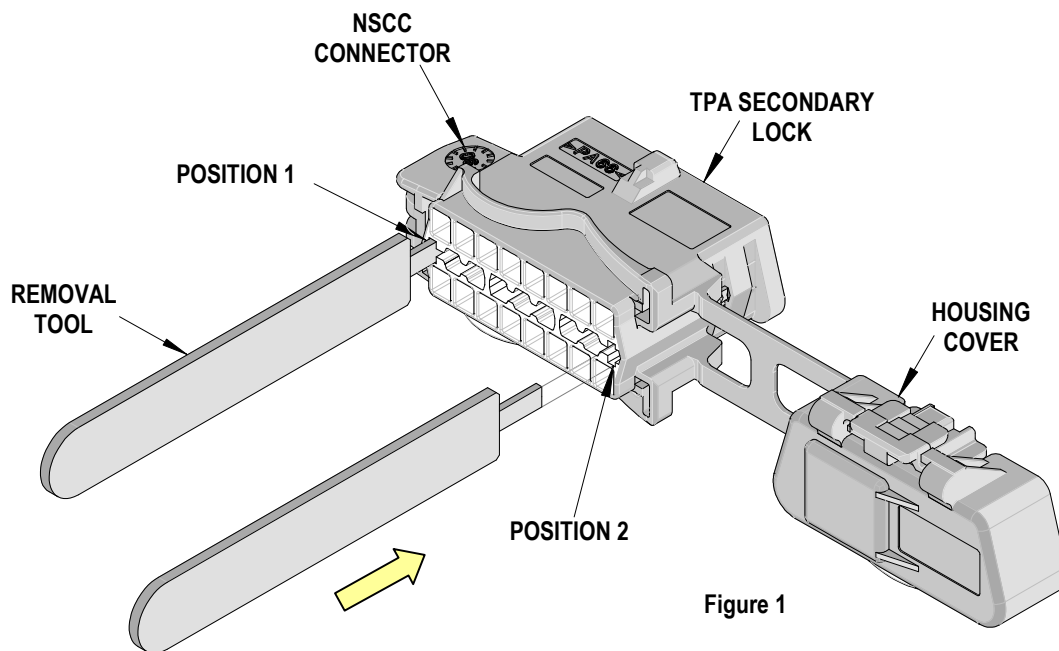


Figure 1

TPA Removal Tool for NSCC 1.50mm Receptacle Terminals

4. The TPA secondary is now in unlock position. See Figure 2.
5. Pull and remove the TPA secondary out of the housing.

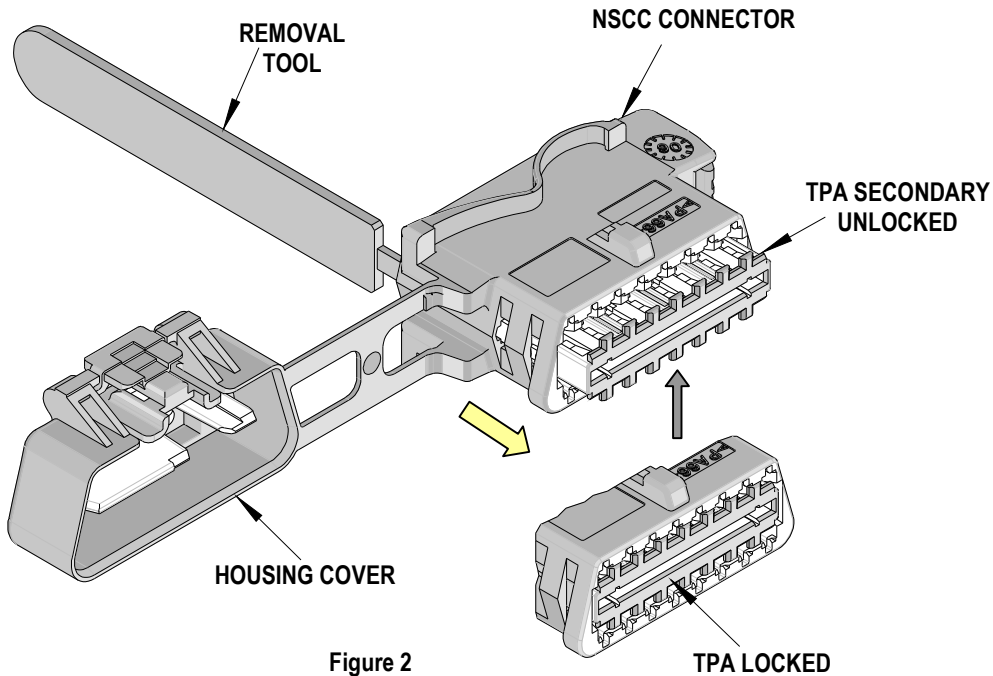


Figure 2

6. Perform the terminal extraction out of the housing if required (see Features for correct type of extractor tool to use).

Molex does not offer repair parts for TPA Removal Tools due to the inexpensive nature of these tools.

Americas Headquarters
 Lisle, Illinois 60532 U.S.A.
 1-800-78MOLEX
 amerinfo@molex.com

Far East North Headquarters
 Yamato, Kanagawa, Japan
 81-462-65-2324
 feninfo@molex.com

Far East South Headquarters
 Jurong, Singapore
 65-6-268-6868
 fesinfo@molex.com

European Headquarters
 Munich, Germany
 49-89-413092-0
 eurinfo@molex.com

Corporate Headquarters
 2222 Wellington Ct.
 Lisle, IL 60532 U.S.A.
 630-969-4550
 Fax: 630-969-1352

Visit our Web site at <http://www.molex.com>