

## Excellent Integrated System Limited

Stocking Distributor

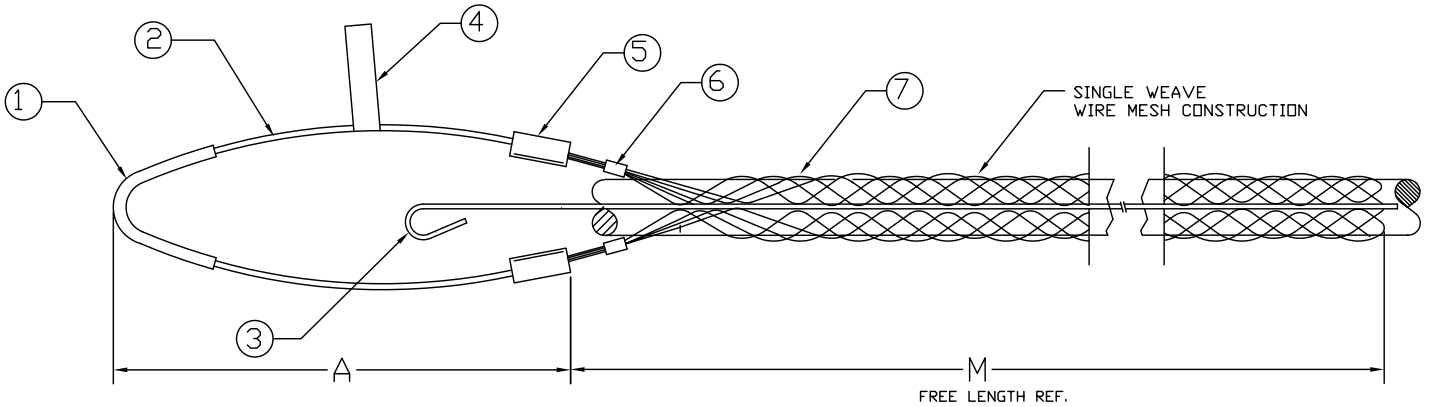
Click to view price, real time Inventory, Delivery & Lifecycle Information:

[Molex Connector Corporation](#)  
[1300940535](#)

For any questions, you can email us directly:

[sales@integrated-circuit.com](mailto:sales@integrated-circuit.com)

MATERIAL NUMBER	OLD MATERIAL NUMBER	M <sup>#1/2</sup> IN INCHES	A <sup>±1</sup> IN INCHES	APPROX. BREAKING STRENGTH IN lbs.	CABLE RANGE IN INCHES
1300940529	36680	2.5	3.0	300	.18-.25
1300940530	36681	2.5	3.0	300	.23-.32
1300940531	36682	2.5	4.0	300	.30-.39
1300940532	36683	4.0	5.0	300	.37-.48
1300940533	36684	5.0	6.0	400	.46-.58
1300940534	36685	5.0	7.0	600	.56-.71
1300940535	36686	6.0	8.0	800	.69-.88



ITEM	QTY.	DESCRIPTION	MATERIAL
1	1	SHOULDER PROTECTOR	STAINLESS STEEL
2	1	BALE WIRE	TINNED PHOSPHOR BRONZE
3	1	ROD	STAINLESS STEEL
4	1	LABEL	MYLAR
5	2	FERRULE	STAINLESS STEEL
6	2	CRIMP CONNECTOR	STAINLESS STEEL
7	1	WIRE MESH	TINNED PHOSPHOR BRONZE

RELEASE DRAWING  
EC NO: WNA2010-0880  
DRWN: TVICKERS 2010/05/17  
CHKD: HKNEELAN  
APPR: DTTTUS 2010/05/21  
REV A

QUALITY SYMBOLS  
▽=0  
∇=0  
DRAFT WHERE APPLICABLE MUST REMAIN WITHIN DIMENSIONS

GENERAL TOLERANCES (UNLESS SPECIFIED)  
4 PLACES ±.005 ±.005  
3 PLACES ±.005 ±.005  
2 PLACES ±0.13 ±0.10  
1 PLACE ±0.25 ±0.20  
ANGULAR ±5°  
MATERIAL NO. SEE CHART  
SIZE A

DIMENSION STYLE INCH  
SCALE NTS  
DESIGN UNITS INCH  
THIRD ANGLE PROJECTION  
DRAWN BY DATE TVICKERS 2010/05/17  
CHECKED BY DATE HKNEELAN 2010/05/17  
APPROVED BY DATE DTTTUS 2010/05/20  
TITLE FIBER OPTIC SUPPORT GRIP SINGLE WEAVE SINGLE EYE  
MOLEX INCORPORATED  
DOCUMENT NO. SD-130094-008  
SHEET NO. 1 OF 1  
THIS DRAWING CONTAINS INFORMATION THAT IS PROPRIETARY TO MOLEX INCORPORATED AND SHOULD NOT BE USED WITHOUT WRITTEN PERMISSION

6

5

4

3

2

1