



Distributor of Molex Connector Corporation: Excellent Integrated System Limited
Datasheet of 38660-7805 - Connector Barrier Block Strip 5 Circuit 0.500" (12.70mm)

Contact us: sales@integrated-circuit.com Website: www.integrated-circuit.com

Excellent Integrated System Limited

Stocking Distributor

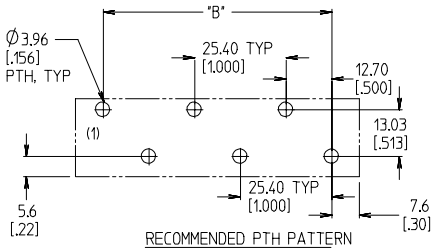
Click to view price, real time Inventory, Delivery & Lifecycle Information:

[Molex Connector Corporation](#)
[38660-7805](#)

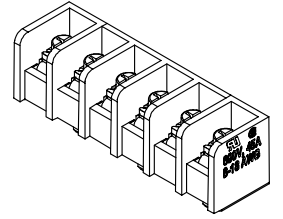
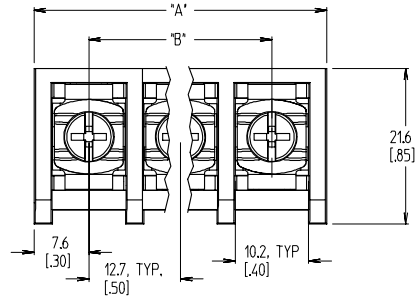
For any questions, you can email us directly:

sales@integrated-circuit.com

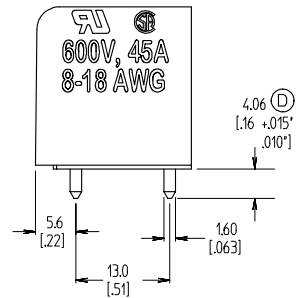
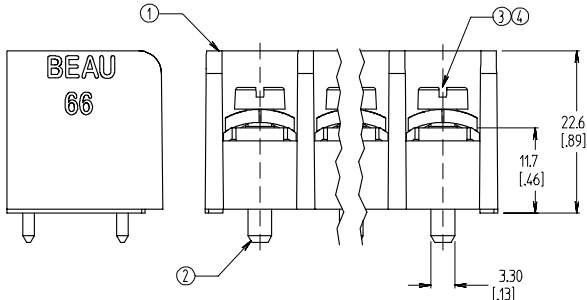
10 9 8 7 6 5 4 3 2 38660



VIEW SCALE 1:1



6 CIRCUIT SHOWN ACTUAL SIZE



MATERIAL NUMBER, OPT GOLD (-04)	MATERIAL (STD PART)	OLD CATALOG NUMBER REFERENCE	NUMBER OF CIRCUITS *XX*	A	B
	38660-7802	38669-0001	2	27.9 [1.10]	12.70 [500]
38669-0004	38660-7803	38669-0003	3	40.6 [1.60]	25.40 [1000]
38669-0006	38660-7804	38669-0005	4	53.3 [2.10]	38.10 [1500]
	38660-7805	38669-0007	5	66.0 [2.60]	50.80 [2000]
	38660-7806	38669-0008	6	78.7 [3.10]	63.50 [2500]
	38660-7807		7	91.4 [3.60]	76.20 [3000]
	38660-7808		8	104.1 [4.10]	88.90 [3500]
	38660-7809	38669-0009	9	116.8 [4.60]	101.60 [4000]
	38660-7810		10	129.5 [5.10]	114.30 [4500]
	38660-7811		11	142.2 [5.60]	127.00 [5000]
	38660-7812		12	154.9 [6.10]	139.70 [5500]
	38660-7813		13	167.6 [6.60]	152.40 [6000]
	38660-7814		14	180.3 [7.10]	165.10 [6500]
	38660-7815		15	193.0 [7.60]	177.80 [7000]

NOTES:

1. MATERIAL: SEE TABLE
2. FINISHES: SEE TABLE
3. PRODUCT SPECIFICATION: NOT REQUIRED
4. PACKAGING: NOT REQUIRED
5. MATES WITH: NONE
6. *XX* - REFERS TO THE NUMBER OF CIRCUIT POSITIONS
7. INCH DIMENSIONS ARE SHOWN IN BRACKETS [XXX].
8. ALL COMPONENTS ARE ROHS COMPLIANT.

UPDATE TAIL TOL. EC NO: ETC2007-0428 2007/06/04	DRAWN: JENCINMS 2007/06/04	CHKD: JENCINMS 2007/06/04	APPR: JMCINELL 2007/06/11	QUALITY SYMBOLS ▽=0 ▽=0	GENERAL TOLERANCES (UNLESS SPECIFIED)		DIMENSION STYLE	SCALE	DESIGN UNITS	THIRD ANGLE PROJECTION
					mm	INCH	MM/IN	2:1	INCH	
DRAFT WHERE APPLICABLE MUST REMAIN WITHIN DIMENSIONS SEE CHART THIS DRAWING CONTAINS INFORMATION THAT IS PROPRIETARY TO MOLEX INCORPORATED AND SHOULD NOT BE USED WITHOUT WRITTEN PERMISSION					4 PLACES	± ---	± ---	DRAWN BY	DATE	TITLE
					3 PLACES	± ---	± .005	R. KEMP	2002/08/14	SR BTS, 12.70 [500] PITCH, PC, NO MTG ASSY
					2 PLACES	± 0.13	± .01	CHECKED BY	DATE	
					1 PLACE	± 0.3	± ---	R. STONE	2002/08/15	
					ANGULAR ± 2 °		APPROVED BY	DATE		
							L. ROTHBAUS	2002/08/16		
							MATERIAL NO.	DOCUMENT NO.		SHEET NO.
										1 OF 1

ITEM	QTY	DESCRIPTION	MATERIAL	FINISH
4	XX	SCREW	STEEL	ZN/YELLOW CHROMATE
3	XX	SCREW	STEEL	GOLD
2	XX	TERMINAL	RED BRASS	TIN OVER COPPER
1	1	INSULATOR	THERMOPLASTIC	BLACK

Id_Frame_B_P_ME.T
Rev. E 2006/04/15

9 8 7 6 5 4 3 2 1