

Excellent Integrated System Limited

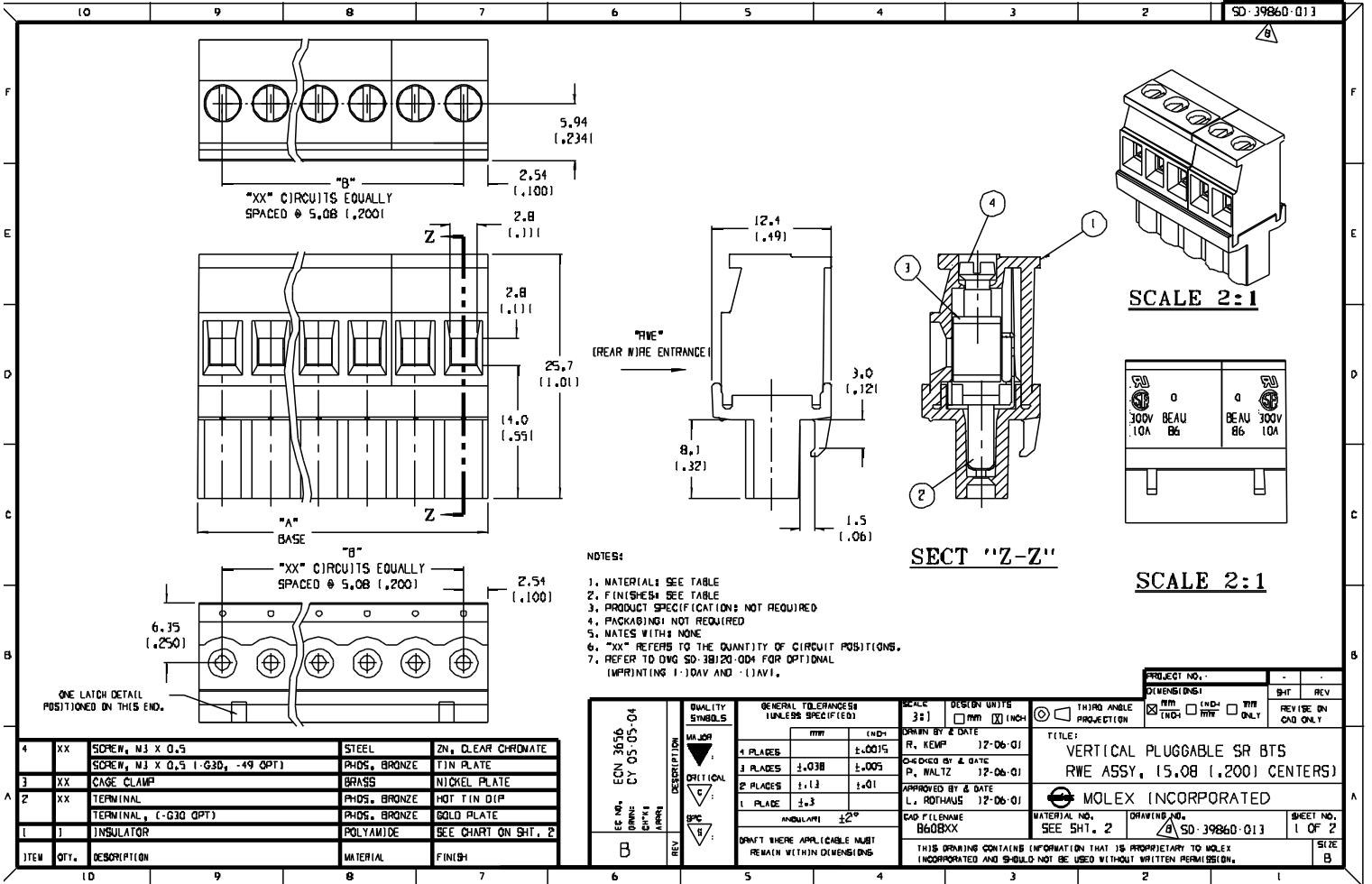
Stocking Distributor

Click to view price, real time Inventory, Delivery & Lifecycle Information:

[Molex Connector Corporation](#)
[39860-0202](#)

For any questions, you can email us directly:

sales@integrated-circuit.com



SD-39860-013

NO. OF CIRC. "XX"	DIM. "A"		DIM. "B"		BLACK (STD.) MATERIAL NO.	BLACK MATERIAL NO. (1-030 OPT)	BLACK MATERIAL NO. (1-04V OPT)	BLACK MATERIAL NO. (1-49 OPT)	GREEN MATERIAL NO.
02	10.2	(.40)	5.08	(.200)	39860-0202	39861-0202	39862-0202	39864-0202	39860-3202
03	15.2	(.60)	10.16	(.400)	39860-0203	39861-0203	39862-0203	39864-0203	39860-3203
04	20.3	(.80)	15.24	(.600)	39860-0204	39861-0204	39862-0204	39864-0204	39860-3204
05	25.4	(1.00)	20.32	(.800)	39860-0205	39861-0205	39862-0205	39864-0205	39860-3205
06	30.5	(1.20)	25.40	(1.000)	39860-0206	39861-0206	39862-0206	39864-0206	39860-3206
07	35.6	(1.40)	30.48	(1.200)	39860-0207	39861-0207	39862-0207	39864-0207	39860-3207
08	40.6	(1.60)	35.56	(1.400)	39860-0208	39861-0208	39862-0208	39864-0208	39860-3208
09	45.7	(1.80)	40.64	(1.600)	39860-0209	39861-0209	39862-0209	39864-0209	39860-3209
10	50.8	(2.00)	45.72	(1.800)	39860-0210	39861-0210	39862-0210	39864-0210	39860-3210
11	55.9	(2.20)	50.80	(2.000)	39860-0211	39861-0211	39862-0211	39864-0211	39860-3211
12	61.0	(2.40)	55.88	(2.200)	39860-0212	39861-0212	39862-0212	39864-0212	39860-3212
13	66.0	(2.60)	60.96	(2.400)	39860-0213	39861-0213	39862-0213	39864-0213	39860-3213
14	71.1	(2.80)	66.04	(2.600)	39860-0214	39861-0214	39862-0214	39864-0214	39860-3214
15	76.2	(3.00)	71.12	(2.800)	39860-0215	39861-0215	39862-0215	39864-0215	39860-3215
16	81.3	(3.20)	76.20	(3.000)	39860-0216	39861-0216	39862-0216	39864-0216	39860-3216
17	86.4	(3.40)	81.28	(3.200)	39860-0217	39861-0217	39862-0217	39864-0217	39860-3217
18	91.4	(3.60)	86.36	(3.400)	39860-0218	39861-0218	39862-0218	39864-0218	39860-3218
19	96.5	(3.80)	91.44	(3.600)	39860-0219	39861-0219	39862-0219	39864-0219	39860-3219
20	101.6	(4.00)	96.52	(3.800)	39860-0220	39861-0220	39862-0220	39864-0220	39860-3220
21	106.7	(4.20)	101.60	(4.000)	39860-0221	39861-0221	39862-0221	39864-0221	39860-3221
22	111.8	(4.40)	106.68	(4.200)	39860-0222	39861-0222	39862-0222	39864-0222	39860-3222
23	116.8	(4.60)	111.76	(4.400)	39860-0223	39861-0223	39862-0223	39864-0223	39860-3223
24	121.9	(4.80)	116.84	(4.600)	39860-0224	39861-0224	39862-0224	39864-0224	39860-3224

REC. NO. SEE SHEET 1 DIMS: (DIM) (DIM) (DIM) (DIM)	QUALITY SYMBOLS MAJOR MINOR DIMENSIONAL SPEC	GENERAL TOLERANCES UNLESS SPECIFIED		SCALE: <input type="checkbox"/> MM <input checked="" type="checkbox"/> INCH	ORIGIN UNIT: <input type="checkbox"/> MM <input checked="" type="checkbox"/> INCH	PROJECT NO.:	-	-	
		1 PLACES ±.030	1.0015	DRAWN BY & DATE	R. KEMP 12-06-01	TITLE:	VERTICAL PLUGGABLE SR BTS		
		2 PLACES ±.012	1.01	CHECKED BY & DATE	P. WALTZ 12-06-01	APPROVED BY & DATE	RWE ASSY, 15.08 (1.200) CENTER51		
		1 PLAGE ±.3		APPROVED BY & DATE	L. ROTHHAUS 12-06-01	CAD FILENAME	B60BXX		
DRAFT WHERE APPLICABLE MUST REMAIN WITHIN DIMENSIONS		THIS DRAWING CONTAINS INFORMATION THAT IS PROPRIETARY TO MOLEX INCORPORATED AND SHOULD NOT BE USED WITHOUT WRITTEN PERMISSION.		MATERIAL NO. DRAWING NO.		SD-39860-013		SHEET NO. 2 OF 2	
				SEE CHART				SIZE B	