

Excellent Integrated System Limited

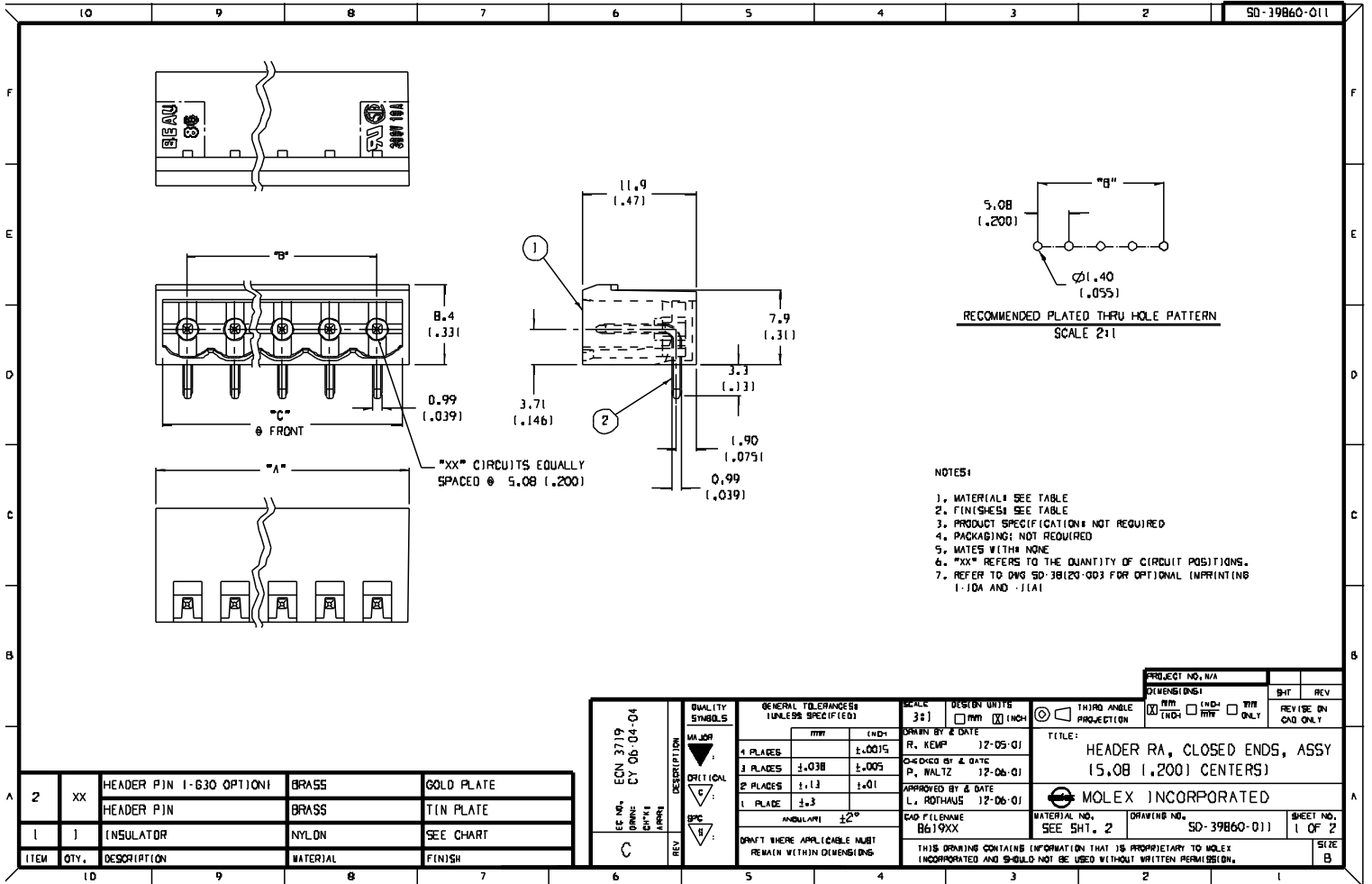
Stocking Distributor

Click to view price, real time Inventory, Delivery & Lifecycle Information:

[Molex Connector Corporation](#)
[39860-0704](#)

For any questions, you can email us directly:

sales@integrated-circuit.com



- NOTES:
1. MATERIALS SEE TABLE
 2. FINISHES SEE TABLE
 3. PRODUCT SPECIFICATION NOT REQUIRED
 4. PACKAGING NOT REQUIRED
 5. MATES WITH NONE
 6. "XX" REFERS TO THE QUANTITY OF CIRCUIT POSITIONS.
 7. REFER TO DWS SD-38120-003 FOR OPTIONAL IMPRINTING 1-IDA AND -11A1

ITEM	QTY.	DESCRIPTION	MATERIAL	FINISH
2	XX	HEADER PIN I-630 OPTION1	BRASS	GOLD PLATE
		HEADER PIN	BRASS	TIN PLATE
1	1	INSULATOR	NYLON	SEE CHART

ECN 3719 DRAWING: CY 06-04-04 DATE: 12-06-01 BY: P. WALTZ CHECKED BY: R. KEMP DATE: 12-06-01 APPROVED BY: L. ROTHHAUS DATE: 12-06-01 CAD FILENAME: B619XX	QUALITY SYMBOLS MAJOR OPTIONAL MINOR	GENERAL TOLERANCES (UNLESS SPECIFIED) 1 PLACES ±.038 ±.005 2 PLACES ±.12 ±.01 3 PLACES ±.3 ±.01 ANGULARITY ±2°	SCALE 3:1 DESIGN UNIT: <input type="checkbox"/> MM <input checked="" type="checkbox"/> INCH DRAWN BY & DATE: R. KEMP 12-05-01 CHECKED BY & DATE: P. WALTZ 12-06-01 APPROVED BY & DATE: L. ROTHHAUS 12-06-01 CAD FILENAME: B619XX	PROJECT NO./A DIMENSIONS: <input checked="" type="checkbox"/> MM <input type="checkbox"/> INCH <input type="checkbox"/> INCH ONLY THIRD ANGLE PROJECTION TITLE: HEADER RA, CLOSED ENDS, ASSY (5.08 1.200) CENTERS MOLEX INCORPORATED MATERIAL NO. SEE SH. 2 DRAWING NO. SD-39860-011 SHEET NO. 1 OF 2 SIZE B
	REV C	DRAFT WHERE APPLICABLE MUST REMAIN WITHIN DIMENSIONS	THIS DRAWING CONTAINS INFORMATION THAT IS PROPRIETARY TO MOLEX INCORPORATED AND SHOULD NOT BE USED WITHOUT WRITTEN PERMISSION.	REVISIONS REV DATE BY

SD-39860-011

ND. OF CIRC. "XX"	DIM. "A" ±.015	DIM. "B"	DIM. "C" ±.005 ±.012	BLACK (ST0.1) MATERIAL NO.	BLACK MATERIAL NO. (G30 OPT)	BLACK MATERIAL NO. (1-BA OPT)	GREEN MATERIAL NO.	ORANGE MATERIAL NO.
02	11.43 (1.450)	5.08 (1.200)	10.46 (1.412)	39860-0702	39861-0702	39862-0702	39860-3702	
03	16.51 (1.650)	10.16 (1.400)	15.54 (1.612)	39860-0703	39861-0703	39862-0703	39860-3703	39869-0023
04	21.59 (1.850)	15.24 (1.600)	20.62 (1.812)	39860-0704	39861-0704	39862-0704	39860-3704	
05	26.67 (1.050)	20.32 (1.800)	25.70 (1.012)	39860-0705	39861-0705	39862-0705	39860-3705	
06	31.75 (1.250)	25.40 (1.000)	30.78 (1.212)	39860-0706	39861-0706	39862-0706	39860-3706	
07	37.44 (1.474)	30.48 (1.200)	35.86 (1.412)	39860-0707	39861-0707	39862-0707	39860-3707	39869-0042
08	42.52 (1.674)	35.36 (1.400)	40.94 (1.612)	39860-0708	39861-0708	39862-0708	39860-3708	
09	47.60 (1.874)	40.64 (1.600)	46.02 (1.812)	39860-0709	39861-0709	39862-0709	39860-3709	
10	52.68 (2.074)	45.72 (1.800)	51.10 (2.012)	39860-0710	39861-0710	39862-0710	39860-3710	
11	57.76 (2.274)	50.80 (2.000)	56.18 (2.212)	39860-0711	39861-0711	39862-0711	39860-3711	
12	62.84 (2.474)	55.88 (2.200)	61.26 (2.412)	39860-0712	39861-0712	39862-0712	39860-3712	39869-0039
13	67.92 (2.674)	60.96 (2.400)	66.34 (2.612)	39860-0713	39861-0713	39862-0713	39860-3713	
14	73.00 (2.874)	66.04 (2.600)	71.42 (2.812)	39860-0714	39861-0714	39862-0714	39860-3714	39869-0064
15	78.08 (3.074)	71.12 (2.800)	76.50 (3.012)	39860-0715	39861-0715	39862-0715	39860-3715	
16	83.16 (3.274)	76.20 (3.000)	81.58 (3.212)	39860-0716	39861-0716	39862-0716	39860-3716	
17	88.24 (3.474)	81.28 (3.200)	86.66 (3.412)	39860-0717	39861-0717	39862-0717	39860-3717	
18	93.32 (3.674)	86.36 (3.400)	91.74 (3.612)	39860-0718	39861-0718	39862-0718	39860-3718	
19	98.40 (3.874)	91.44 (3.600)	96.82 (3.812)	39860-0719	39861-0719	39862-0719	39860-3719	
20	103.48 (4.074)	96.52 (3.800)	101.90 (4.012)	39860-0720	39861-0720	39862-0720	39860-3720	
21	108.56 (4.274)	101.60 (4.000)	106.98 (4.212)	39860-0721	39861-0721	39862-0721	39860-3721	39869-0068
22	113.64 (4.474)	106.68 (4.200)	112.06 (4.412)	39860-0722	39861-0722	39862-0722	39860-3722	
23	118.72 (4.674)	111.76 (4.400)	117.14 (4.612)	39860-0723	39861-0723	39862-0723	39860-3723	
24	123.80 (4.874)	116.84 (4.600)	122.22 (4.812)	39860-0724	39861-0724	39862-0724	39860-3724	

SEE SHEET 1 SEE CHART SEE CHART SEE CHART	QUALITY SYMBOLS MAJOR MINOR SPEC	GENERAL TOLERANCES UNLESS SPECIFIED 1 PLACES ±.030 ±.005 2 PLACES ±.13 ±.01 3 PLACES ±.3 ±.01 4 PLACES ±.0015 ±.005 5 PLACES ±.0015 ±.005 6 PLACES ±.0015 ±.005 7 PLACES ±.0015 ±.005 8 PLACES ±.0015 ±.005 9 PLACES ±.0015 ±.005 10 PLACES ±.0015 ±.005	SCALE: <input type="checkbox"/> MM <input checked="" type="checkbox"/> INCH DESIGN UNITS: <input type="checkbox"/> MM <input checked="" type="checkbox"/> INCH	DRAWN BY & DATE R. KEMP 12-05-01 CHECKED BY & DATE P. MALIZ 12-06-01 APPROVED BY & DATE L. ROTHHAUS 12-06-01 CAD FILENAME B619XX	PROJECT NO.: DIMENSIONS: <input checked="" type="checkbox"/> 3RD ANGLE PROJECTION <input type="checkbox"/> 1ST ANGLE PROJECTION <input type="checkbox"/> 2ND ANGLE PROJECTION <input type="checkbox"/> 4TH ANGLE PROJECTION TITLE: HEADER RA, CLOSED ENDS, ASSY (5.08 (1.200) CENTERS) MOLEX (INCORPORATED) MATERIAL NO. SEE CHART DRAWING NO. SD-39860-011 SHEET NO. 2 OF 2 SIZE B
		THIS DRAWING CONTAINS INFORMATION THAT IS PROPRIETARY TO MOLEX INCORPORATED AND SHOULD NOT BE USED WITHOUT WRITTEN PERMISSION.			