

Excellent Integrated System Limited

Stocking Distributor

Click to view price, real time Inventory, Delivery & Lifecycle Information:

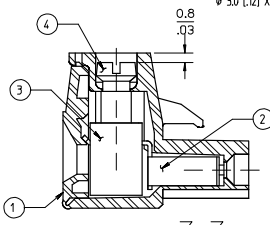
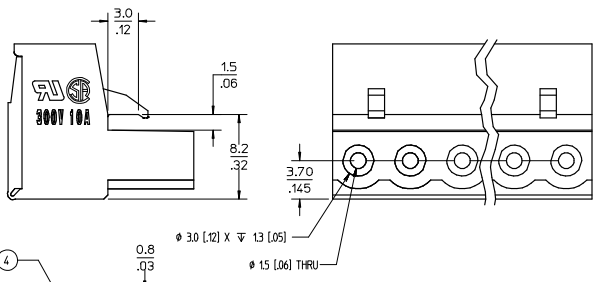
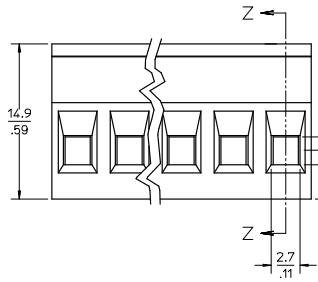
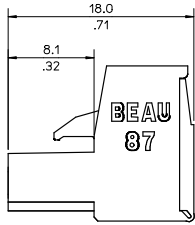
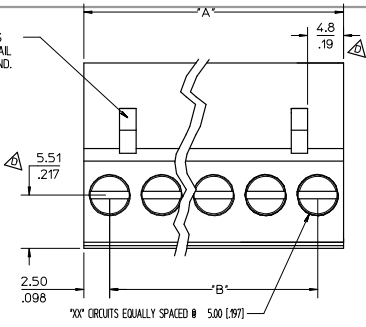
[Molex Connector Corporation](#)
[39870-0106](#)

For any questions, you can email us directly:

sales@integrated-circuit.com

| NUMBER OF CIRCUITS - 'XX' | DIM 'A' | DIM 'B' | BLACK (STD) MATERIAL NO. | BLACK (L-630 OPT) MATERIAL NO. | BLACK (L-63 OPT) MATERIAL NO. | 10A IMPRINT MATERIAL NO. | 11A IMPRINT MATERIAL NO. | 11B IMPRINT MATERIAL NO. | GRAY MATERIAL NO. | GREEN MATERIAL NO. |
|---------------------------|---------------|---------------|--------------------------|--------------------------------|-------------------------------|--------------------------|--------------------------|--------------------------|-------------------|--------------------|
| 02 | 10.00 [394] | 5.00 [197] | 39870102 | 39870102 | 39870102 | 398720102 | 398730102 | 398790009 | 398790168 | 398702102 |
| 03 | 15.00 [591] | 10.00 [394] | 39870103 | 39870103 | 398740103 | 398720103 | 398730103 | 398790090 | 398790168 | 398702103 |
| 04 | 20.00 [787] | 15.00 [591] | 39870104 | 39870104 | 398740104 | 398720104 | 398730104 | - | - | 398702104 |
| 05 | 25.00 [984] | 20.00 [787] | 39870105 | 39870105 | 398740105 | 398720105 | 398730105 | 398790091 | - | 398702105 |
| 06 | 30.00 [1181] | 25.00 [984] | 39870106 | 39870106 | 398740106 | 398720106 | 398730106 | 398790092 | - | 398702106 |
| 07 | 35.00 [1378] | 30.00 [1181] | 39870107 | 39870107 | 398740107 | 398720107 | 398730107 | - | - | 398702107 |
| 08 | 40.00 [1575] | 35.00 [1378] | 39870108 | 39870108 | 398740108 | 398720108 | 398730108 | - | - | 398702108 |
| 09 | 45.00 [1772] | 40.00 [1575] | 39870109 | 39870109 | 398740109 | 398720109 | 398730109 | - | - | 398702109 |
| 10 | 50.00 [1969] | 45.00 [1772] | 39870110 | 39870110 | 398740110 | 398720110 | 398730110 | - | - | 398702110 |
| 11 | 55.00 [2166] | 50.00 [1969] | 39870111 | 39870111 | 398740111 | 398720111 | 398730111 | - | - | 398702111 |
| 12 | 60.00 [2363] | 55.00 [2166] | 39870112 | 39870112 | 398740112 | 398720112 | 398730112 | - | - | 398702112 |
| 13 | 65.00 [2560] | 60.00 [2363] | 39870113 | 39870113 | 398740113 | 398720113 | 398730113 | - | - | 398702113 |
| 14 | 70.00 [2756] | 65.00 [2560] | 39870114 | 39870114 | 398740114 | 398720114 | 398730114 | - | - | 398702114 |
| 15 | 75.00 [2953] | 70.00 [2756] | 39870115 | 39870115 | 398740115 | 398720115 | 398730115 | - | - | 398702115 |
| 16 | 80.00 [3150] | 75.00 [2953] | 39870116 | 39870116 | 398740116 | 398720116 | 398730116 | - | - | 398702116 |
| 17 | 85.00 [3347] | 80.00 [3150] | 39870117 | 39870117 | 398740117 | 398720117 | 398730117 | - | - | 398702117 |
| 18 | 90.00 [3544] | 85.00 [3347] | 39870118 | 39870118 | 398740118 | 398720118 | 398730118 | - | - | 398702118 |
| 19 | 95.00 [3740] | 90.00 [3544] | 39870119 | 39870119 | 398740119 | 398720119 | 398730119 | - | - | 398702119 |
| 20 | 100.00 [3937] | 95.00 [3740] | 39870120 | 39870120 | 398740120 | 398720120 | 398730120 | - | - | 398702120 |
| 21 | 105.00 [4134] | 100.00 [3937] | 39870121 | 39870121 | 398740121 | 398720121 | 398730121 | - | - | 398702121 |
| 22 | 110.00 [4331] | 105.00 [4134] | 39870122 | 39870122 | 398740122 | 398720122 | 398730122 | - | - | 398702122 |
| 23 | 115.00 [4528] | 110.00 [4331] | 39870123 | 39870123 | 398740123 | 398720123 | 398730123 | - | - | 398702123 |
| 24 | 120.00 [4724] | 115.00 [4528] | 39870124 | 39870124 | 398740124 | 398720124 | 398730124 | - | - | 398702124 |

PLUGS WITH 2 CIRCUITS HAVE ONE LATCH DETAIL POSITIONED ON THIS END.



- NOTES:
1. MATERIAL: SEE TABLE
 2. FINISHES: SEE TABLE
 3. PRODUCT SPECIFICATION: NOT REQUIRED
 4. MATES WITH 87 SERIES HEADER.
 5. INCH DIMS ARE SHOWN IN PARENTHESIS (XXX)
 6. ALL DIMENSIONS TYPICAL UNLESS OTHERWISE SPECIFIED.
 7. 'XX' REFERS TO THE NUMBER OF CIRCUITS
 8. FOR OPTIONAL IMPRINTING 10A AND 11A SEE DRAWING SD-38120-004.
 9. FOR OPTIONAL IMPRINTING 11B SEE DRAWING SD-38120-006.

| ITEM | QTY. | DESCRIPTION | MATERIAL | FINISH |
|------|------|-----------------------|---------------|---------------|
| 4 | XX | SLOTTED M3 X .5 SCREW | STEEL | ZINC PLATED |
| | | | BRASS | TIN PLATED |
| 3 | XX | CAGE | BRASS | NICKEL PLATED |
| 2 | XX | TERMINAL | PHOS BRONZE | TIN PLATED |
| | | | | GOLD PLATED |
| 1 | 1 | PLUG | THERMOPLASTIC | SEE CHART |

| | | | | | | | |
|---|-------------------------------|---------------------------------------|-------------------------|--|---------------------|---|------------------------|
| CORRECT DIMS EC NO: ETC2006-0263 DRAWN/CORR: 2006/01/27 CHK'D/REV: 2006/01/27 APP'D/DES: 2006/01/27 | QUALITY SYMBOLS ▽=0 ▽=0 | GENERAL TOLERANCES (UNLESS SPECIFIED) | | DIMENSION STYLE | SCALE | DESIGN UNITS | THIRD ANGLE PROJECTION |
| | | 4 PLACES ± .0015 | 3 PLACES ± 0.038 ± .005 | 2 PLACES ± 0.13 ± .01 | 1 PLACE ± 0.3 ± .01 | MM/IN | 4:1 |
| DRAFT WHERE APPLICABLE MUST REMAIN WITHIN DIMENSIONS | | ANGULAR ± 1/2° | | DRAWN BY DATE N. HOWARD 2003/08/18 | | TITLE PLUGGABLE SR BTS ASSY, 5.00 [197] CENTERS | |
| | | | | CHECKED BY DATE R. STONE 2003/08/25 | | APPROVED BY DATE P. WALTZ 2003/08/25 | |
| | | | | MATERIAL NO. SEE CHART | | DOCUMENT NO. SD-39870-003 | |
| | | | | SHEET NO. 1 OF 1 | | THIS DRAWING CONTAINS INFORMATION THAT IS PROPRIETARY TO MOLEX INCORPORATED AND SHOULD NOT BE USED WITHOUT WRITTEN PERMISSION | |

10 9 8 7 6 5 4 3 2 SD-39870-003

| NUMBER OF CIRCUITS "XX" | DIM. "A" | DIM. "B" | BLACK (STD) MATERIAL NO. | BLACK (-G30 OPT) MATERIAL NO. | BLACK (-49 OPT) MATERIAL NO. | 10A IMPRINT MATERIAL NO. | 11A IMPRINT MATERIAL NO. | 11B IMPRINT MATERIAL NO. | GRAY MATERIAL NO. | GREEN MATERIAL NO. |
|-------------------------|----------------|----------------|--------------------------|-------------------------------|------------------------------|--------------------------|--------------------------|--------------------------|-------------------|--------------------|
| 02 | 10.00 (1.394) | 5.00 (1.197) | 398700102 | 398710102 | 398740102 | 398720102 | 398730102 | 398790089 | - | 398702102 |
| 03 | 15.00 (1.591) | 10.00 (1.394) | 398700103 | 398710103 | 398740103 | 398720103 | 398730103 | 398790090 | 398790168 | 398702103 |
| 04 | 20.00 (1.787) | 15.00 (1.591) | 398700104 | 398710104 | 398740104 | 398720104 | 398730104 | - | - | 398702104 |
| 05 | 25.00 (1.984) | 20.00 (1.787) | 398700105 | 398710105 | 398740105 | 398720105 | 398730105 | 398790091 | - | 398702105 |
| 06 | 30.00 (1.181) | 25.00 (1.984) | 398700106 | 398710106 | 398740106 | 398720106 | 398730106 | 398790092 | - | 398702106 |
| 07 | 35.00 (1.378) | 30.00 (1.181) | 398700107 | 398710107 | 398740107 | 398720107 | 398730107 | - | - | 398702107 |
| 08 | 40.00 (1.575) | 35.00 (1.378) | 398700108 | 398710108 | 398740108 | 398720108 | 398730108 | - | - | 398702108 |
| 09 | 45.00 (1.772) | 40.00 (1.575) | 398700109 | 398710109 | 398740109 | 398720109 | 398730109 | - | - | 398702109 |
| 10 | 50.00 (1.969) | 45.00 (1.772) | 398700110 | 398710110 | 398740110 | 398720110 | 398730110 | - | - | 398702110 |
| 11 | 55.00 (2.165) | 50.00 (1.969) | 398700111 | 398710111 | 398740111 | 398720111 | 398730111 | - | - | 398702111 |
| 12 | 60.00 (2.362) | 55.00 (2.165) | 398700112 | 398710112 | 398740112 | 398720112 | 398730112 | - | - | 398702112 |
| 13 | 65.00 (2.559) | 60.00 (2.362) | 398700113 | 398710113 | 398740113 | 398720113 | 398730113 | - | - | 398702113 |
| 14 | 70.00 (2.756) | 65.00 (2.559) | 398700114 | 398710114 | 398740114 | 398720114 | 398730114 | - | - | 398702114 |
| 15 | 75.00 (2.953) | 70.00 (2.756) | 398700115 | 398710115 | 398740115 | 398720115 | 398730115 | - | - | 398702115 |
| 16 | 80.00 (3.150) | 75.00 (2.953) | 398700116 | 398710116 | 398740116 | 398720116 | 398730116 | - | - | 398702116 |
| 17 | 85.00 (3.346) | 80.00 (3.150) | 398700117 | 398710117 | 398740117 | 398720117 | 398730117 | - | - | 398702117 |
| 18 | 90.00 (3.543) | 85.00 (3.346) | 398700118 | 398710118 | 398740118 | 398720118 | 398730118 | - | - | 398702118 |
| 19 | 95.00 (3.740) | 90.00 (3.543) | 398700119 | 398710119 | 398740119 | 398720119 | 398730119 | - | - | 398702119 |
| 20 | 100.00 (3.937) | 95.00 (3.740) | 398700120 | 398710120 | 398740120 | 398720120 | 398730120 | - | - | 398702120 |
| 21 | 105.00 (4.134) | 100.00 (3.937) | 398700121 | 398710121 | 398740121 | 398720121 | 398730121 | - | - | 398702121 |
| 22 | 110.00 (4.331) | 105.00 (4.134) | 398700122 | 398710122 | 398740122 | 398720122 | 398730122 | - | - | 398702122 |
| 23 | 115.00 (4.528) | 110.00 (4.331) | 398700123 | 398710123 | 398740123 | 398720123 | 398730123 | - | - | 398702123 |
| 24 | 120.00 (4.724) | 115.00 (4.528) | 398700124 | 398710124 | 398740124 | 398720124 | 398730124 | - | - | 398702124 |

VOID
BY SD-39870-003 REV. D
PER ETC2006-0088

| | | | | | | | | | | | |
|------------------------------------|-----|-------------|-----------------|---------------------------------------|--------|-------|--------------|------------------------|---|--------------|------------------|
| EC NO. DRAWN CHK'D APPR'D | REV | DESCRIPTION | QUALITY SYMBOLS | GENERAL TOLERANCES (UNLESS SPECIFIED) | | SCALE | DESIGN UNITS | THIRD ANGLE PROJECTION | PROJECT NO. | SHT | REV |
| | | | | mm | INCH | mm | INCH | mm | INCH | mm | INCH |
| | | | MAJOR | 4 PLACES | ±.0015 | 1:1 | mm | ☑ | | | |
| | | | CRITICAL | 3 PLACES | ±.038 | 1:1 | INCH | ☐ | | | |
| | | | SFC | 2 PLACES | ±.13 | 1:1 | | | TITLE: PUGGABLE SR BTS ASSY. (5.00 (1.197) CENTERS) | | |
| | | | S | 1 PLACE | ±.3 | | | | MOLEX INCORPORATED | | |
| | | | | ANGULAR | ±2° | | | | CAD FILENAME | MATERIAL NO. | DRAWING NO. |
| | | | | | | | | | 8705XX | SEE CHART | SD-39870-003 |
| | | | | | | | | | | | SHEET NO. 2 OF 2 |
| | | | | | | | | | | | SIZE B |

DRAFT WHERE APPLICABLE MUST REMAIN WITHIN DIMENSIONS

THIS DRAWING CONTAINS INFORMATION THAT IS PROPRIETARY TO MOLEX INCORPORATED AND SHOULD NOT BE USED WITHOUT WRITTEN PERMISSION.

10 9 8 7 6 5 4 3 2 1