

Excellent Integrated System Limited

Stocking Distributor

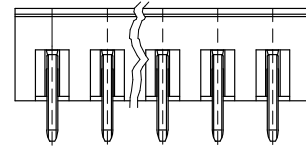
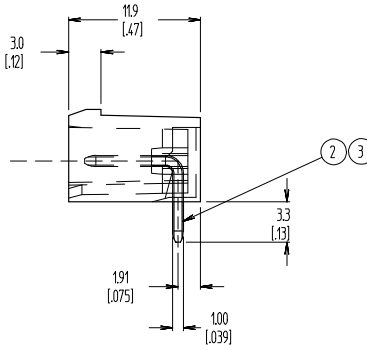
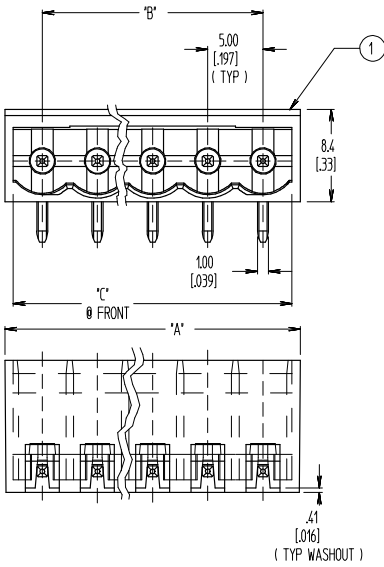
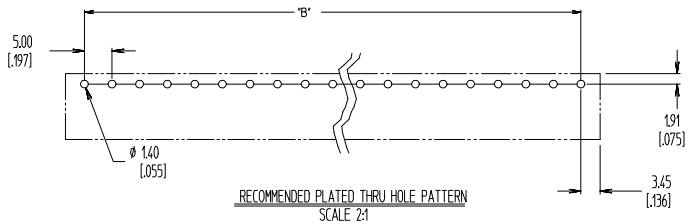
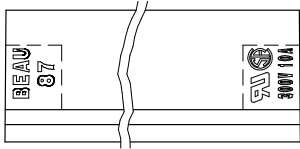
Click to view price, real time Inventory, Delivery & Lifecycle Information:

[Molex Connector Corporation](#)
[39870-0709](#)

For any questions, you can email us directly:

sales@integrated-circuit.com

10 9 8 7 6 5 4 3 2 39870



NOTES:

1. MATERIAL: SEE TABLE
2. FINISHES: SEE TABLE
3. MATES WITH: 87 SERIES PLUGGABLE PCB TERMINAL BLOCK
4. INCH DIMS ARE SHOWN IN BRACKETS [XXX]
5. "XX" REFERS TO NUMBER OF CIRCUITS
6. REFER TO SD-38120-003 FOR IMPRINTING OPTIONS (10A AND 11A).
7. ALL COMPONENTS ARE ROHS COMPLIANT.

ADD MATERIAL NO. EC NO: ETC2006-0436 DPRINCYORK 2006/05/16 LHYKORBEROSS 2006/05/17 APPR:RBEROSS 2006/05/19	QUALITY SYMBOLS ▽=0 ▽=0	GENERAL TOLERANCES (UNLESS SPECIFIED)		DIMENSION STYLE	SCALE	DESIGN UNITS	THIRD ANGLE PROJECTION
		4 PLACES ± --- ± ---	3 PLACES ± --- ± .005	MM/IN	3:1	INCH	☉
DRAWN BY C. YORK CHECKED BY R. KEMP APPROVED BY P. WALTZ	DESCRIPTION	2 PLACES ± 0.13 ± .01	1 PLACE ± 0.3 ± ---	DATE	DATE	TITLE	
		ANGULAR ± 2 °		2003/08/07	2003/08/07	HEADER, RA, CLOSED ENDS ASSY, 5.00 [1.97"] CNTRS	
DRAFT WHERE APPLICABLE MUST REMAIN WITHIN DIMENSIONS		MATERIAL NO.		DOCUMENT NO.		SHEET NO.	
		SEE SHT. 2		SD-39870-002		1 OF 2	
		SIZE B THIS DRAWING CONTAINS INFORMATION THAT IS PROPRIETARY TO MOLEX INCORPORATED AND SHOULD NOT BE USED WITHOUT WRITTEN PERMISSION					

3	XX	HEADER PIN (-G30 OPTION)	BRASS	GOLD PLATE
2	XX	HEADER PIN (STANDARD)	BRASS	TIN PLATE
1	1	HEADER INSULATOR	NYLON	SEE CHART ON SHEET 2
ITEM	QTY.	DESCRIPTION	MATERIAL	FINISH

9 8 7 6 5 4 3 2 1

10 9 8 7 6 5 4 3 2 39870

Ⓢ

MATERIAL NO. (STANDARD) BLACK INSULATOR	MATERIAL NO. (-G30 OPTION) BLACK INSULATOR	MATERIAL NO. (-GRN OPTION) GREEN INSULATOR	MATERIAL NO. (-10A OPTION) BLACK INSULATOR	MATERIAL NO. (-11A OPTION) BLACK INSULATOR	NUMBER OF CIRCUITS 'XX'	DIM. 'A' ±.015	DIM. 'B'	DIM. 'C' ±.005 -.012
398700702	398710702	398702702	398720702	398730702	02	11.30 [4.45]	5.00 [1.97]	10.34 [4.07]
398700703	398710703	398702703	398720703	398730703	03	16.31 [6.42]	10.01 [3.94]	15.34 [6.04]
398700704	398710704	398702704	398720704	398730704	04	21.31 [8.39]	15.01 [5.91]	20.35 [8.01]
398700705	398710705	398702705	398720705	398730705	05	26.31 [10.36]	20.02 [7.88]	25.35 [9.98]
398700706	398710706	398702706	398720706	398730706	06	31.32 [12.33]	25.02 [9.85]	30.35 [11.95]
398700707	398710707	398702707	398720707	398730707	07	36.93 [14.54]	30.02 [11.82]	35.36 [13.92]
398700708	398710708	398702708	398720708	398730708	08	41.94 [16.51]	35.03 [13.79]	40.36 [15.89]
398700709	398710709	398702709	398720709	398730709	09	46.94 [18.48]	40.03 [15.76]	45.36 [17.86]
398700710	398710710	398702710	398720710	398730710	10	51.94 [20.45]	45.03 [17.73]	50.37 [19.83]
398700711	398710711	398702711	398720711	398730711	11	56.95 [22.42]	50.04 [19.70]	55.37 [21.80]
398700712	398710712	398702712	398720712	398730712	12	61.95 [24.39]	55.04 [21.67]	60.38 [23.77]
398700713	398710713	398702713	398720713	398730713	13	66.95 [26.36]	60.05 [23.64]	65.38 [25.74]
398700714	398710714	398702714	398720714	398730714	14	71.96 [28.33]	65.05 [25.61]	70.38 [27.71]
398700715	398710715	398702715	398720715	398730715	15	76.96 [30.30]	70.05 [27.58]	75.39 [29.68]
398700716	398710716	398702716	398720716	398730716	16	81.97 [32.27]	75.06 [29.55]	80.39 [31.65]
398700717	398710717	398702717	398720717	398730717	17	86.97 [34.24]	80.06 [31.52]	85.39 [33.62]
398700718	398710718	398702718	398720718	398730718	18	91.97 [36.21]	85.07 [33.49]	90.40 [35.59]
398700719	398710719	398702719	398720719	398730719	19	96.98 [38.18]	90.07 [35.46]	95.40 [37.56]
398700720	398710720	398702720	398720720	398730720	20	101.98 [40.15]	95.08 [37.43]	100.41 [39.53]
398700721	398710721	398702721	398720721	398730721	21	106.98 [42.12]	100.08 [39.40]	105.41 [41.50]
398700722	398710722	398702722	398720722	398730722	22	111.99 [44.09]	105.08 [41.37]	110.41 [43.47]
398700723	398710723	398702723	398720723	398730723	23	116.99 [46.06]	110.08 [43.34]	115.42 [45.44]
398700724	398710724	398702724	398720724	398730724	24	122.00 [48.03]	115.09 [45.31]	120.42 [47.41]

SEE SHEET 1 EC NO: ETC2006-0436 DRAWN BY: CHYKORBERG APPROVED BY: CHYKORBERG DATE: 2006/05/16 DATE: 2006/05/17 DATE: 2006/05/19	QUALITY SYMBOLS	GENERAL TOLERANCES (UNLESS SPECIFIED) 4 PLACES ±.005 ±.005 3 PLACES ±.005 ±.005 2 PLACES ±.013 ±.01 1 PLACE ±.03 ±.03 ANGULAR ± 2 ° DRAFT WHERE APPLICABLE MUST REMAIN WITHIN DIMENSIONS	DIMENSION STYLE		SCALE	DESIGN UNITS	THIRD ANGLE PROJECTION	
			mm	INCH	3:1	INCH		
					DRAWN BY: C. YORK	DATE: 2003/08/07	TITLE: HEADER, RA, CLOSED ENDS ASSY, 5.00 [.197"] CNTRS	
					CHECKED BY: R. KEMP	DATE: 2003/08/07	APPROVED BY: P. WALTZ	
				DATE: 2003/08/07	MATERIAL NO. SEE CHART		DOCUMENT NO. SD-39870-002	
					SIZE B THIS DRAWING CONTAINS INFORMATION THAT IS PROPRIETARY TO MOLEX INCORPORATED AND SHOULD NOT BE USED WITHOUT WRITTEN PERMISSION		SHEET NO. 2 OF 2	

9 8 7 6 5 4 3 2 1