

## Excellent Integrated System Limited

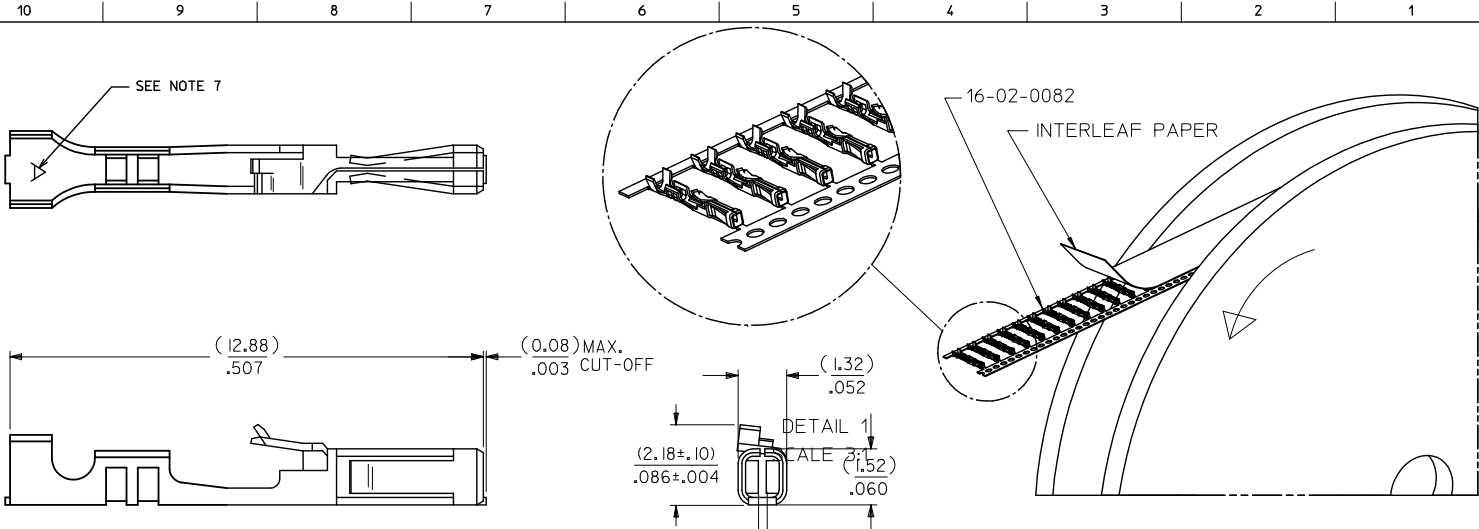
Stocking Distributor

Click to view price, real time Inventory, Delivery & Lifecycle Information:

[Molex Connector Corporation](#)  
[0016020082](#)

For any questions, you can email us directly:

[sales@integrated-circuit.com](mailto:sales@integrated-circuit.com)



NOTES:

1. TERMINAL TO BE USED IN HOUSING 70066-\*\*\*\* AND 70450-\*\*\*\*.
2. REFER TO PRODUCT SPECIFICATION PS-70058.
3. REFER TO MOLEX OPERATIONS AND SERVICE MANUAL FOR CRIMP DETAILS.
4. TERMINAL TO BE USED WITH (0.64)/.025 SQUARE PINS.
5. TERMINAL TO BE USED WITH 24-30 AWG STRANDED WIRE WITH (1.52)/.060 MAXIMUM DIAMETER INSULATION.
6. TERMINALS SUPPLIED IN REEL FORM.
7. CRIMP SIZE INDICATOR A=24-30 AWG

PLATING:

.000015 MINIMUM GOLD PLATE IN SELECT AREA.  
.000075 MINIMUM TIN PLATE IN SELECT AREA.  
OVER NICKEL PLATE OVERALL.

REEL UNWIND DIR. EC NO: UCP2013-5345 T1: DMORGAN 2013/06/10 CHKD: POF 2013/06/10 APPR: SMILLER 2013/07/09	QUALITY SYMBOLS	GENERAL TOLERANCES (UNLESS SPECIFIED)		DIMENSION STYLE		SCALE	DESIGN UNITS	THIRD ANGLE PROJECTION	
	▽=0	mm	INCH	MM/IN		10:1	INCH		
	▽=0	4 PLACES ± --- ± ---		DRAWN BY	DATE	TITLE			
	▽=0	3 PLACES ± --- ± .005		DMORGAN	2013/06/10	TERMINAL - BOX/CRIMP FOR 24-30 AWG ON A REEL			
	2 PLACES ± 0.13 ± .010		CHECKED BY	DATE	<b>molex</b> SD-70058-0006				
	1 PLACE ± 0.25 ± ---		JAS	1988/03/02					
	0 PLACE ± --- ± ---		APPROVED BY	DATE	SHEET NO.				
			SMILLER	2013/07/09	1 OF 1				
			MATERIAL NO.		DOCUMENT NO.				
			16-02-0082		SD-70058-0006				
			THIS DRAWING CONTAINS INFORMATION THAT IS PROPRIETARY TO MOLEX INCORPORATED AND SHOULD NOT BE USED WITHOUT WRITTEN PERMISSION						